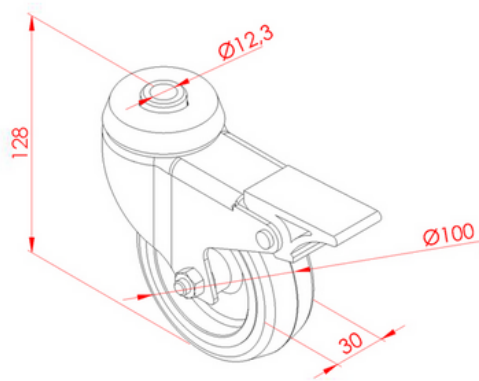


Ø 100 SINGLE WHEEL



Stock Code	Stock Name	Loading Capacity	Material	Weight (gr)
2.3.004.100.01	Ø 100 Single Wheel	140 kg	Polyamid	719