

Filettatura BSPT conica UNI-ISO 7 teflonata	Thread types BSPT taper UNI-ISO 7 with teflon	Gewinde BSPT konische UNI-ISO 7 mit Teflon	Filetage BSPT conique UNI-ISO7 teflonée	Roscado Teflón con recubrimiento BSPT UNI-ISO 7
---	---	--	---	---

Diametri e filetti
Diametri da 3 mm a 25 mm - Filettature da 1/8" a 1"

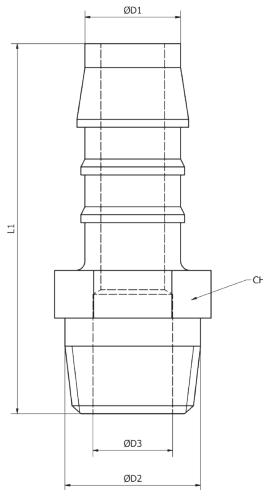
Threads and diameters
Diameters from 3 mm to 25 mm -
Threads from 1/8" to 1"

Durchmesser und Gewinde
Durchmesser von 3 mm bis 25 mm -
Gewinde von 1/8" bis 1"

Diamètres et filets
Diamètres de 3 mm à 25 mm - Filetages de 1/8" à 1"

Diámetros y roscas
Diámetros de 3 mm a 25 mm - Roscas de 1/8" a 1"

AP 10K

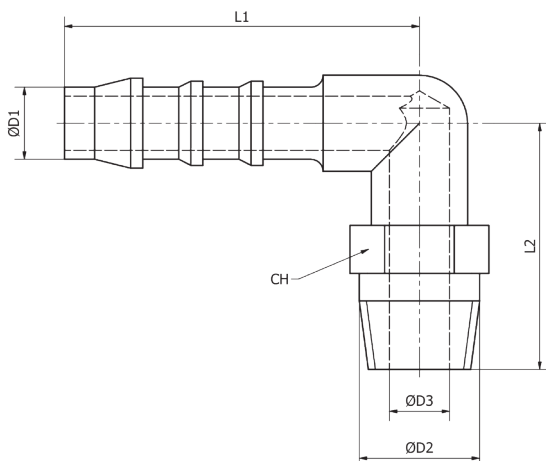


Portagomma diritto maschio conico poliammide

- Hose male adapter taper polyamide
- Gerade Einschraubtülle konisches Gewinde Polyamid
- Douille annelée droit, conique, polyamide
- Espiga recta macho cónica, poliamida

CODICE/CODE	ØD1	ØD2	ØD3	L1	CH	PEZZI/PIECES
AP10K1804	4	R1/8	2,5	27	10	10
AP10K1404	4	R1/4	2,5	32	14	10
AP10K1806	6	R1/8	4	32,5	10	10
AP10K1406	6	R1/4	4	37,5	14	10
AP10K1808	8	R1/8	5,6	38	14	10
AP10K1408	8	R1/4	5,6	41	14	10
AP10K3808	8	R3/8	5,6	41	17	10
AP10K1410	10	R1/4	7	43,5	14	10
AP10K3810	10	R3/8	7	43,5	17	10
AP10K3812	12	R3/8	8,6	45,5	17	10
AP10K1212	12	R1/2	8,6	54	22	10
AP10K1214	14	R1/2	10	56	22	10
AP10K1216	16	R1/2	12	58	22	10
AP10K3419	19	R3/4	15	58	27	10

AP 15K



Gomito portagomma maschio conico poliammide

- Elbow hose male adapter taper polyamide
- Winkel Einschraubtülle konisches Gewinde Polyamid
- Douille annelée coudée, conique, polyamide
- Espiga a L macho, cónica, poliamida

CODICE/CODE	ØD1	ØD2	ØD3	L1	L2	CH	PEZZI/PIECES
AP15K1804	4	R1/8	2,7	21	16	10	10
AP15K1404	4	R1/4	2,7	21	25	14	10
AP15K1806	6	R1/8	4	28,5	21	10	10
AP15K1406	6	R1/4	4	28,5	26	14	10
AP15K3806	6	R3/8	4	28,5	27	17	10
AP15K1808	8	R1/8	5,6	33	23	14	10
AP15K1408	8	R1/4	5,6	33	27,5	14	10
AP15K3808	8	R3/8	5,6	36	31	17	10
AP15K1208	8	R1/2	5,6	36	36	22	10
AP15K1410	10	R1/4	7	38	30	14	10
AP15K3810	10	R3/8	7	38	30	17	10
AP15K3812	12	R3/8	8,6	40,5	31	17	10
AP15K1212	12	R1/2	8,6	40,5	36	22	10
AP15K3419	19	R3/4	15	45,5	42,8	27	10
AP15K0125	25	R1	21	60	49	32	10