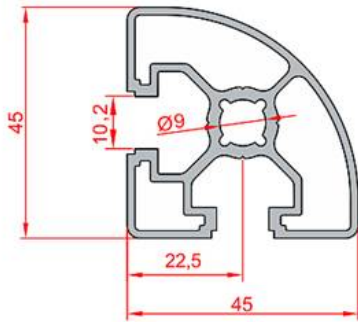


45X45 RADIUS SIGMA PROFILE



General Specifications

Used in corner and frame construction of designs where decorative view is preferred, such as booth, board, cabin etc.  
Stylish view is ensured by application of special fasteners and accessories.

Stock Code	Stock Name	External Dimensions	Material	L(mm)	Ix	Iy	Wx	Wy	Area	Mass
1.1.10.045045.08	45x45 Radius Sigma Profile	45x45	6063 T5	6000	8,5 cm <sup>4</sup>	8,5 cm <sup>4</sup>	3,38 cm <sup>3</sup>	3,38 cm <sup>3</sup>	4,46 cm <sup>2</sup>	1,24 Kg/m