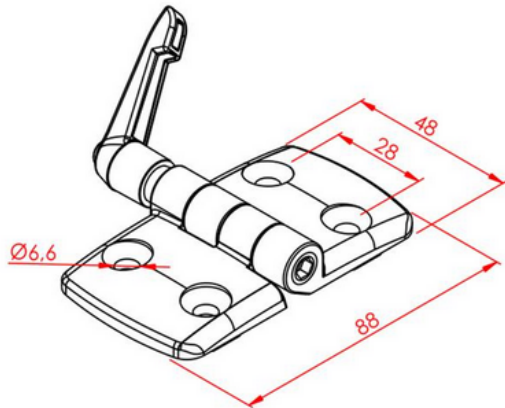


45X45 LOCK HINGE



General Specifications

A hinge type preferable for anchoring moving caps at required angle. Clamping arms ensure required level of stabilization.

| Stock Code | Stock Name | Material | Weight (gr) |
|-----------------|------------------|------------|-------------|
| 2.2.003.4545.03 | 45x45 Lock Hinge | Pa 6 Black | 60,5 |