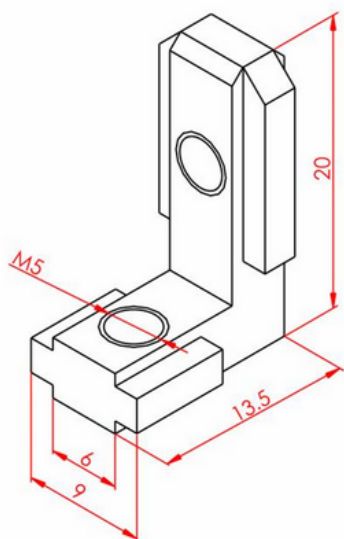


20X25 HIDDEN CORNER JOINT

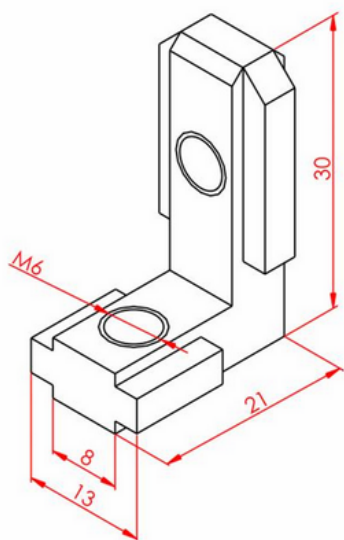


General Specifications

Often used in assembly of practical operations that do not require strength, such as frame and board.

Stock Code	Stock Name	Material	Weight (gr)
2.1.010.06.00	20x25 Hidden Corner Joint	Zinc	6

30X30 HIDDEN CORNER BRACKET

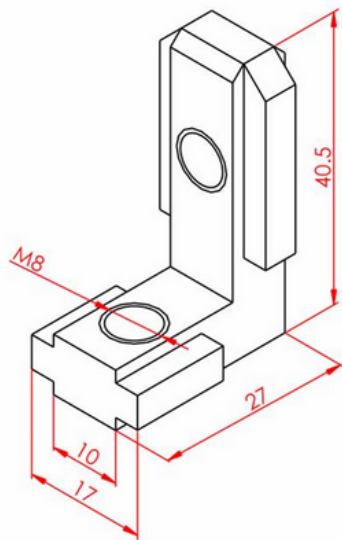


General Specifications

Often used in assembly of practical operations that do not require strength, such as frame and board.

Stock Code	Stock Name	Material	Weight (gr)
2.1.010.08.00	30x30 Hidden Corner Bracket	Zinc	18,5

HIDDEN CORNER BRACKET



General Specifications

Often used in assembly of practical operations that do not require strength, such as frame and board.

Stock Code	Stock Name	Material	Weight (gr)
2.1.010.10.00	Hidden Corner Bracket	Zinc	41