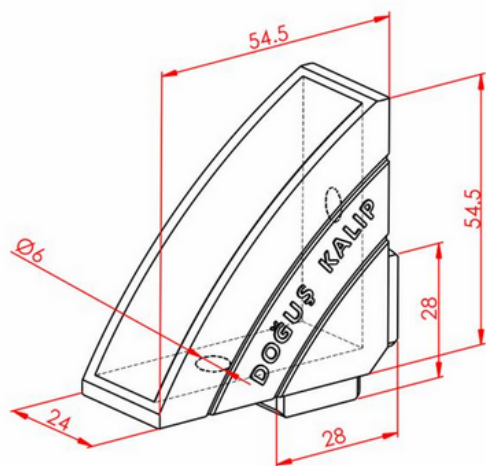


NARROW PLUG-IN CORNER JOINT

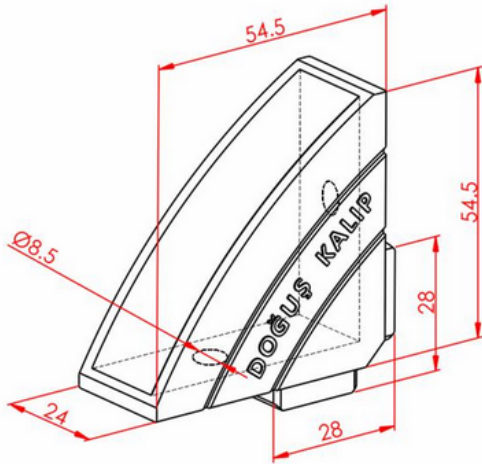


General Specifications

Used in order to ensure solid connections on medium-strength frame constructions.
Stylish view thanks to sandblasted surface and genuine caps.

Stock Code	Stock Name	Material	Weight (gr)
2.2.001.08.3030.07	Narrow Plug-in Corner Joint	Aluminium	54

TIGHT PIERCING CORNER BRACKET

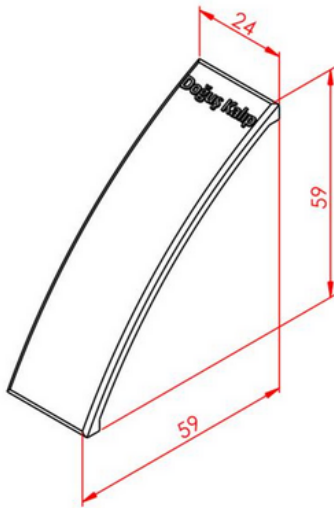


General Specifications

Used for obtaining sound connections on medium-strength chassis constructions.
Sandblasted surfaces and genuine caps ensure stylish view.

Stock Code	Stock Name	Material	Weight (gr)
2.2.001.10.4545.07	Tight Piercing Corner Bracket	Aluminium	59

NARROW PLUG-IN COVER FOR CORNER BRACKET



General Specifications

Used for covering corner brackets in construction after assembly.
 Corner bracket covers ensure hygiene and stylish

Stock Code	Stock Name	Material	Weight (gr)
2.3.001.3045.00	Narrow Plug-in Cover for Corner Bracket	Plastic	7,5