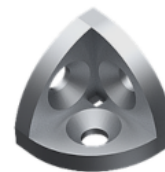
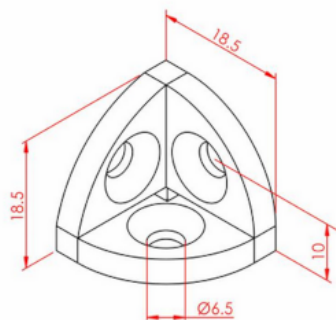


## 20X20 RADIUS CORNER JOINT



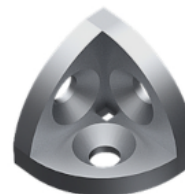
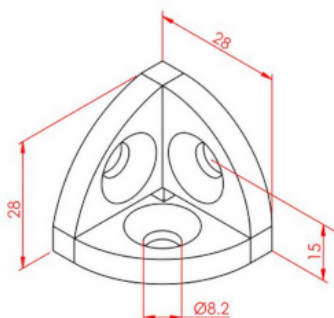
## General Specifications

Used on corner joints of radius profiles.

Preferred for stylish view on table, shelf, booth and board applications.

Stock Code	Stock Name	Material	Weight (gr)
2.2.001.06.2020.05	20x20 Radius Corner Joint	Zinc 5	12

## 30X30 RADIUS CORNER BRACKET



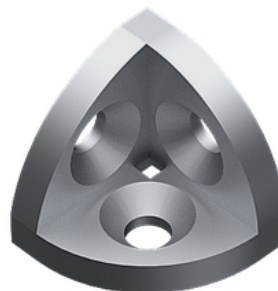
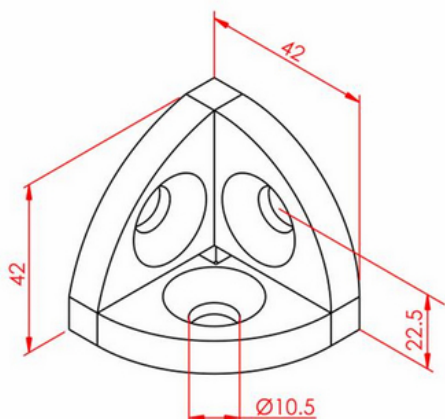
## General Specifications

Used for corner junctions of radius and square profiles.

Preferred for stylish view on table, shelf, booth and board applications.

Stock Code	Stock Name	Material	Weight (gr)
2.2.001.08.3030.05	30x30 Radius Corner Bracket	Zinc 5	42 gr

45X45 RADIUS CORNER BRACKET



General Specifications

Used for corner junctions of radius and square profiles.  
Preferred for stylish view on table, shelf, booth and board applications.

Stock Code	Stock Name	Material	Weight (gr)
2.2.001.10.4545.05	45x45 Radius Corner Bracket	Zinc 5	136