

DESCRIPTION



Two way normally closed pilot driven diaphragm solenoid valve.

Suitable for gaseous and liquid media compatible with the (body/seals) material used.

Adjustable valve closing regulator to reduce water hammer available for size 1 1/4", 1 1/2" and 2".

Forged brass, nickel-plated brass or stainless steel body (1/2" & 3/4").

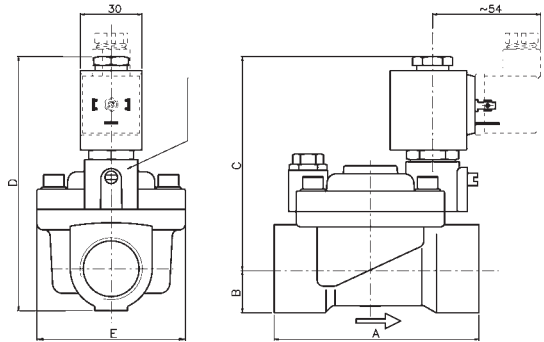
Stainless steel internal parts.

Stainless steel springs.

Solenoid can be rotated 360°.

Valve will operate in any position.

DIMENSIONS mm



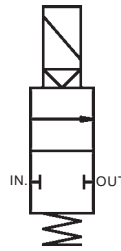
PORT SIZE	DIMENSIONS IN millimeters (mm)				
	A	B	C	D	E
3/8"	64	14	87	101	45
1/2"	64	14	87	101	45
3/4"	82	17	96	113	55
1"	100	20	103	123	70
1 1/4"	134	28	110	138	98
1 1/2"	134	28	110	138	98
2"	152	35	121	156	120

ELETTICAL INFORMATION

Continuous duty glass-reinforced nylon moulded coil with electrical connection suitable for DIN-43650 plug (2 poles+ground) or faston wire terminal. Two cables available upon request.

Coil type:	C1
Insulation class:	F (155°C), H (180°C) upon request.
Winding wire class:	H (180°C)
Protection class:	Waterproof IP-65 (norme EN60529) when properly plug conncted when DIN-43650 plug.
Duty:	Continuous (S.I.) 100% ED
Power consumption:	Alternate Current C1 : 8VA C3 : 13VA Direct Current C1 : 5,5W C3 : 8W a.c. +10% ÷ -15%, d.c. +10% ÷ -5%
Voltage tolerance:	>500 MOhm
Electrical Insulation:	>2000 V/1'
Dielectrical Strenight:	d.c. 12, 24 Volt
Standard voltage:	a.c. 24, 110, 230 Volt (50/60 Hz) other voltages available upon request.

OPERATION



L03 - Normally close

In : IN
Out : OUT
Coil de-energised : IN and OUT close.
Coil energised : IN to OUT

SPECIFICATIONS AND AVAILABLE OPTIONS

MODEL	ORIFICE mm	PRESSURES IN BAR						Flow factor kv (liters/min.')	WEIGHT Kg.		
		BODY RATING	MIN./MAX. DIFFERENTIAL PRESSURE			Coil TYPE	POWER				
			MIN.	MAX. NORM. CLOSED AC~	DC=		VA AC~ inrush			W hold	W DC=
L 03 D 13	12,7	25	0,15	18	16	C1	12	8	5,5	35	0,49
L 03 E 13	12,7	25	0,15	18	16	C1	12	8	5,5	40	0,47
L 03 F 19	19	25	0,15	16	13	C1	12	8	5,5	90	0,74
L 03 G 25	25	25	0,15	12	10	C1	12	8	5,5	176	1,20
L 03 H 37	37	20	0,15	10	10	C3	20	13	8	300	3,05
L 03 I 37	37	20	0,15	10	10	C3	20	13	8	350	2,70
L 03 L 50	50	20	0,15	10	10	C3	20	13	8	600	4,61

a Construction	b Valve type	c Port size	d Seals material	e Body material	f Optional feature
A AC C DC B Latching pilots * <i>* available only from 3/8" to 1" valves.</i>	L 2 way N.C.	D 3/8" GAS N 3/8" NPT E 1/2" GAS O 1/2" NPT F 3/4" GAS Q 3/4" NPT G 1" GAS R 1" NPT H 1 1/4 GAS I 1 1/2 GAS I 1 1/2 NPT L 2" GAS V 2" NPT <i>NPT port available only on request</i>	N NBR V VITON E EPDM W EPM WT PX * <i>* KTW certified for food</i>	T Brass N Nickel-plated brass I Stainless steel * <i>* available only for 1/2" and 3/4" valves.</i>	M Manual override SG Clean for oxigene

Rev.ENG-00/2009 - Le caratteristiche possono subire variazioni senza preavviso. / Characteristics may change without notice.

DESCRIPTION

DIMENSIONS mm



Two way normally open pilot driven diaphragm solenoid valve.

Suitable for gaseous and liquid media compatible with the (body/seals) material used.

Adjustable valve closing regulator to reduce water hammer available for size 1 1/4", 1 1/2" and 2".

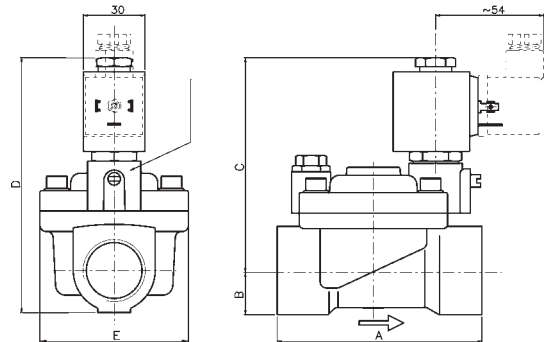
Forged brass, nickel-plated brass or stainless steel body (1/2" & 3/4").

Stainless steel internal parts.

Stainless steel springs.

Solenoid can be rotated 360°.

Valve will operate in any position.



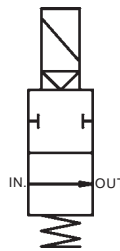
PORT SIZE	DIMENSIONS IN millimeters (mm)				
	A	B	C	D	E
3/8"	64	14	87	101	45
1/2"	64	14	87	101	45
3/4"	82	17	96	113	55
1"	100	20	103	123	70
1 1/4"	134	28	110	138	98
1 1/2"	134	28	110	138	98
2"	152	35	121	156	120

ELETTRICAL INFORMATION

Continuous duty glass-reinforced nylon moulded coil with electrical connection suitable for DIN-43650 plug (2 poles+ground) or faston wire terminal. Two cables available upon request.

Coil type:	C1 - C3
Insulation class:	F (155°C), H (180°C) upon request.
Winding wire class:	H (180°C)
Protection class:	Waterproof IP-65 (norme EN60529) when properly plug conncteted when DIN-43650 plug.
Duty:	Continuous (S.I.) 100% ED
Power consumption:	Alternate Current C1 : 8VA C3 : 13VA Direct Current C1 : 5,5W C3 : 8W
Voltage tolerance:	a.c. +10% ÷ -15%, d.c. +10% ÷ -5%
Electrical Insulation:	>500 MOhm
Dielectrical Strenght:	>2000 V/1'
Standard voltage:	d.c. 12, 24 Volt a.c. 24, 110, 230 Volt (50/60 Hz)

OPERATION



N03 - Normally open

In : I N
Out : O U T
Coil de-energised : I N to O U T
Coil energised : I N and O U T close.

SPECIFICATIONS AND AVAILABLE OPTIONS

MODEL	ORIFICE mm	PRESSURES IN BAR							Flow factor kv (liters/min.')	WEIGHT Kg.	
		BODY RATING	MIN./MAX. DIFFERENTIAL PRESSURE			Coil TYPE	POWER				
			MIN.	MAX. NORM. CLOSED AC~	DC=		VA AC~	W DC=			
a b N 03 D c d 13 e f	12,7	25	0,15	16	10	C1	12	8	5,5	35	0,49
N 03 E 13	12,7	25	0,15	16	10	C1	12	8	5,5	40	0,47
N 03 F 19	19	25	0,15	12	10	C1	12	8	5,5	90	0,74
N 03 G 25	25	25	0,15	10	10	C1	12	8	5,5	176	1,20
N 03 H 37	37	20	0,15	10	10	C3	20	13	8	300	3,05
N 03 I 37	37	20	0,15	10	10	C3	20	13	8	350	2,70
N 03 L 50	50	20	0,15	10	10	C3	20	13	8	600	4,61

a Construction	b Valve type	c Port size	d Seals material	e Body material	f Optional feature
A AC C DC	N 2 way N.O.	D 3/8" GAS N 3/8" NPT E 1/2" GAS O 1/2" NPT F 3/4" GAS Q 3/4" NPT G 1" GAS R 1" NPT H 1 1/4 GAS I 1 1/2 GAS I 1 1/2 NPT L 2" GAS V 2" NPT <i>NPT port available only on request</i>	N NBR V VITON E EPDM W EPM WT PX * <i>* KTW certified for food</i>	T Brass N Nickel-plated brass I Stainless steel * <i>* available only for 1/2" and 3/4" valves.</i>	SG Clean for oxigene

Rev.ENG-00/2009 - Le caratteristiche possono subire variazioni senza preavviso. / Characteristics may change without notice.