

Solenoid Valve - 2/2 - High Pressure - Normally Closed

Benefits & Features

- Water, air, high pressure fluids etc
- Large internal orifice for high flow applications
- Two way normally closed
- 100 Bar maximum operating pressure (AC)
- Brass body
- IP65 safe area



Specification

Configuration	Remote Pilot operated piston design
Port Sizes	3/8" BSP
Orifice	see table below
Kv	see table below
Body	Brass
Media	Air, water, liquids etc. Subject to material compatibility
Pressure ranges	0.3 - 100 Bar (AC), 0.3 - 60 Bar (DC)
Seals	see order codes table

Technical Data

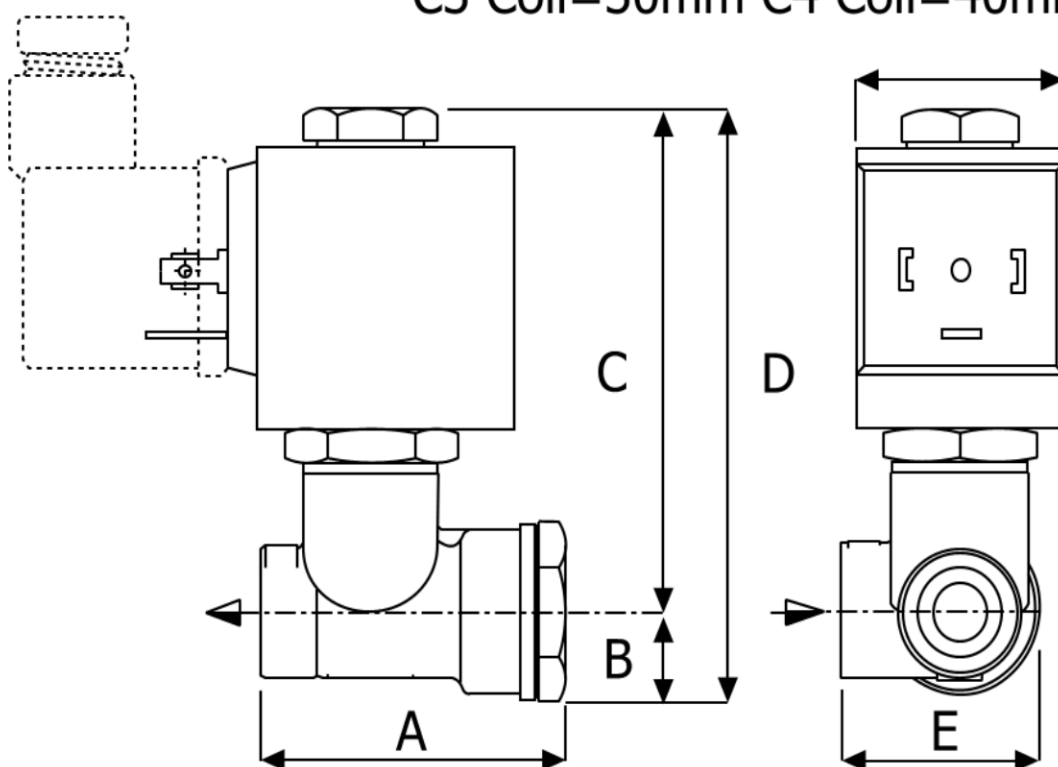
						Port Size BSP	Orifice mm	Design Pressure	Min. / Max. Differential Pressures. Bar.				KV Flow Factor L/Min.	
									Min.	Max. Pressures				
										Coil C3	Coil C4			
A	B	C	D	E					AC	DC	AC	DC		
	L15	D	R	87	T	3/8"	8.7	160	0.3	100	-	100	60	18

Solenoid Valve - 2/2 - High Pressure - Normally Closed

Weights & Dimensions

Weight Kg	Dimensions mm				
	A	B	C	D	E
0.8	58	15	74	89	38

C3 Coil=30mm C4 Coil=40mm

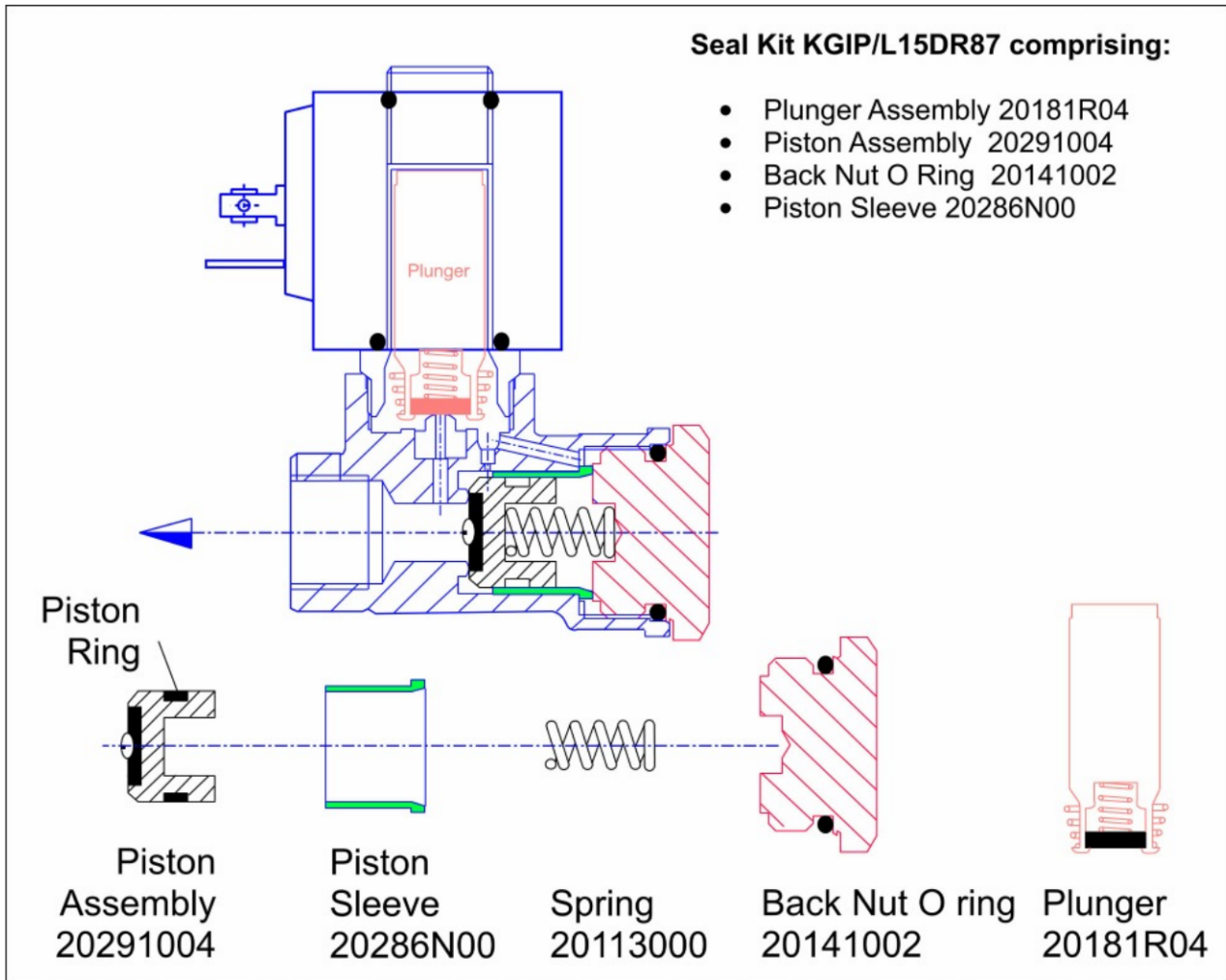


Order Codes

A	Coil Voltage	B	Port	C	Seals (fluid temp. min / max)	D	Body Material	
A	AC	D	3/8" BSP	B	RULON (-10°C to + 120°C)	T	Brass	
C	DC					N	Nickel Plated Brass	

Solenoid Valve - 2/2 - High Pressure - Normally Closed

Parts List



Parts List Order Codes

Order Code	Description
A	20291014 Nickel Plated Piston Assembly. UREPAN
A	20291004 Piston Assembly. RULON
B	20286N00 Nickel Plated Piston Sleeve
C	20113000 Return Spring
D	20141002 O Ring Back-Nut
E	20181014 Plunger Assembly. UREPAN
E	20181R04 Plunger Assembly. RULON