

### DESCRIPTION



Two way servoassisted piston solenoid valve.

Suitable for steam or high temperature water (max. 180°C)

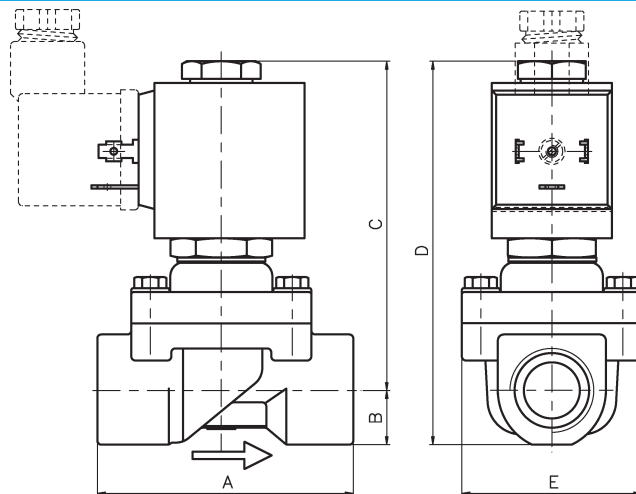
Suitable for gaseous or liquid media compatible with the.

Stainless steel internal parts.

Stainless steel springs.

360° orientable solenoid.

Mounting must be effected preferably with the coil turned down.



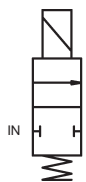
DN G	OVERALL DIMENSIONS millimeters (mm)				
	A	B	C	D	E
3/8"	64	14	70	84	45
1/2"	64	14	70	84	45
3/4"	82	17	77	94	55
1"	100	20	91	111	70

### ELECTRICAL CHARACTERISTICS

Glass reinforced nylon moulded coil, with electrical connection suitable for DIN-43650 plug (2 poli+ground) or "faston" wire terminals.

Coil type:	C4
Insulation class:	H (180°C)
Winding wire class:	H (180°C)
Protection degree:	IP-65 ( EN60529 standards) when properly plug connected with DIN-43650 plug.
Duty:	100% ED
Power consumption :	Alternate current 22VA (inrush 40VA) Direct current 27W
Voltage tolerance:	AC ± 10%, DC +10% ÷ -5%
Insulation:	>1000 Mohm
Dielectrical strength:	>2000 V/1'
Available voltages:	DC 12, 24 Volt AC 24, 110, 230 Volt (50Hz) other voltages available upon request.

### OPERATION



Normally closed.

In: IN  
Out: OUT

Coil de-energized: port IN e OUT closed  
Coil energized: port IN and OUT open.

### SPECIFICATIONS AND AVAILABLE OPTIONS

MODEL			Ø i mm	NOMINAL MAX.	MIN.	PRESSURE IN BAR DIFFERENTIAL		Flow factor kv (l./min)	Weight Kg
a	b	c d e				MAX. AC~	MAX. DC=		
L	3	4 <sup>D</sup> T 1 3 <sup>N</sup> I	12,7	16	0,4	8	8	35	0,65
L	3	4 <sup>F</sup> O T 1 3 <sup>N</sup> I	12,7	16	0,4	8	8	40	0,65
L	3	4 <sup>F</sup> Q T 1 9 <sup>N</sup> I	19	16	0,4	6	5	87	0,9
L	3	4 <sup>G</sup> R T 2 5 <sup>N</sup>	25	16	0,4	6	3	140	1,3

a	b	c	d	e	
<b>Coil</b>	<b>Operation</b>	<b>Connections (DN)</b>	<b>Seal material</b>	<b>Body material</b>	
A AC C DC	L 2 way N.C.	D 3/8" GAS N 3/8" NPT * E 1/2" GAS O 1/2" NPT * F 3/4" GAS Q 3/4" NPT * G 1" GAS R 1" NPT *	T PTFE (Teflon) piston other seals: EPDM	N Nickel-plated brass (NIPLOY process). I Stainless steel *	
		* Upon request		* Upon request	