



HZE_Air treatment units

- └ Modern design
- └ Modularity
- └ Easy assembly
- └ HZE0: G1/4" (40 mm)
HZE1: G3/8" (63 mm)
HZE2: G1/2" (80 mm)

HZE

Air treatment units



Integrated pressure gauge standard supplied



Threaded square adaptor for round pressure gauge standard supplied (optional for size 0)



Gradual starter



Shut-off valve



Lockable valve



Diverter block



Fixing accessories



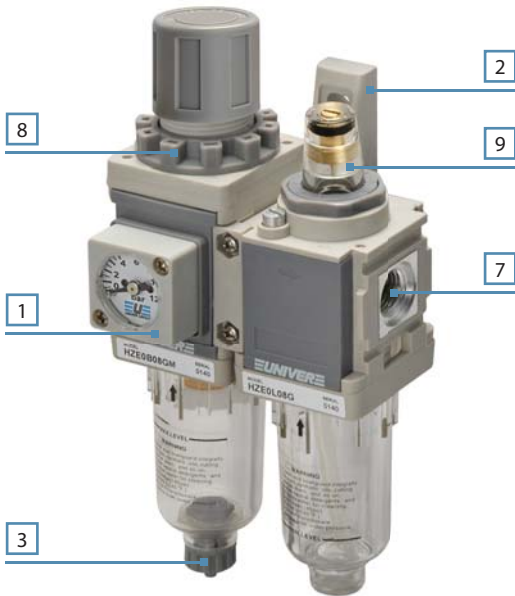
manual/semi-auto exhaust



automatic exhaust

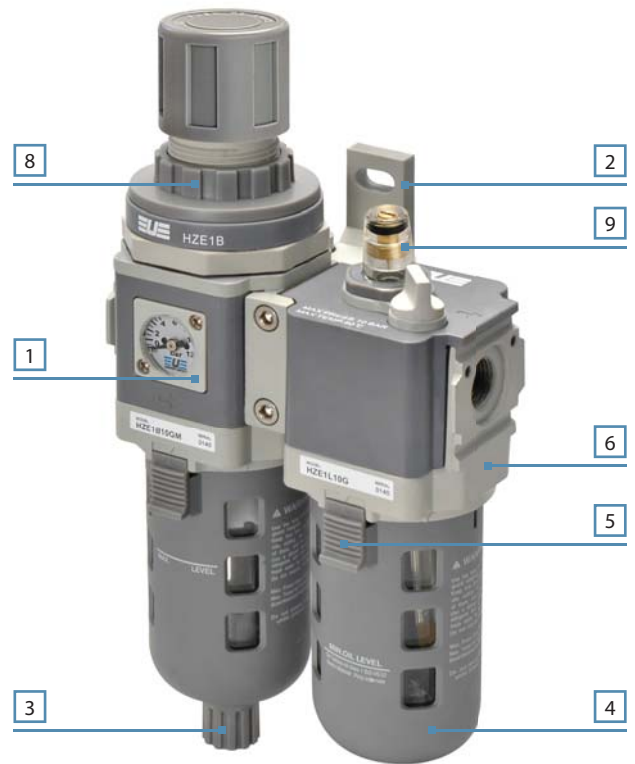
_size 0

- 1_ Integrated pressure gauge standard supplied
- 2_ T-bracket for wall mounting
- 3_ Manual exhaust
- 7_ Metal thread
- 8_ Panel ring nut standard supplied
- 9_ Transparent dome and integrated regulation



_size 1 - 2

- 1_ Integrated pressure gauge standard supplied
- 2_ T-bracket for wall mounting
- 3_ Manual exhaust
- 4_ Bowl with guard standard supplied
- 5_ Safety locking device
- 6_ Metal body
- 8_ Panel ring nut standard supplied
- 9_ Transparent dome and integrated regulation



TYPE	SIZE	POSITION	PRESSURE ADJUSTMENT		LOCKABLE REGULATOR	FILTRATION RATING		BOWL PROTECTION	CONDENSATION DRAIN			PRESSURE GAUGE		
			0,5 ÷ 8,5 bar	Altro		5 µm	40 µm		Manual	Semi-auto	Auto	Square integrated	G1/8 adaptor	
D	FR+L	0	G1/4"	■	○	—	■	○	—	■	○	—	■	○
		1	G3/8"-G1/2"	■	○	○	■	○	■	■	○	○	■	■
		2	G1/2"	■	○	○	■	○	■	■	○	○	■	■
C	F+R+L	0	G1/4"	■	○	—	■	○	—	■	○	—	■	○
		1	G3/8"-G1/2"	■	○	○	■	○	■	■	○	○	■	■
		2	G1/2"	■	○	○	■	○	■	■	○	○	■	■
B	FR	0	G1/4"	■	○	—	■	○	—	■	○	—	■	○
		1	G3/8"-G1/2"	■	○	○	■	○	■	■	○	○	■	■
		2	G1/2"	■	○	○	■	○	■	■	○	○	■	■
F	F	0	G1/4"	—	—	—	■	○	—	■	○	—	—	—
		1	G3/8"-G1/2"	—	—	—	■	○	■	■	○	○	—	—
		2	G1/2"	—	—	—	■	○	■	■	○	○	—	—
R	R	0	G1/4"	■	○	—	—	—	—	■	○	—	■	○
		1	G3/8"-G1/2"	■	○	○	—	—	■	■	○	○	■	■
		2	G1/2"	■	○	○	—	—	■	■	○	○	■	■
L	L	0	G1/4"	—	—	—	—	—	—	—	—	—	—	—
		1	G3/8"-G1/2"	—	—	—	—	—	■	—	—	—	—	—
		2	G1/2"	—	—	—	—	—	■	—	—	—	—	—

■ = standard

○ = upon request

— = not available

HZE

Air treatment units

New series available in 3 sizes

- HZE0 - G1/4" (40 mm)
- HZE1 - G3/8" (63 mm)
- HZE2 - G1/2" (80 mm)

Standard configurations

- Filter
- Regulator
- Lubricator
- Filter regulator (FR)
- Filter regulator + Lubricator (FR+L)
- Filter + Regulator + Lubricator (F+R+L)

Integrated square pressure gauge standard supplied (where foreseen)



TECHNICAL CHARACTERISTICS

Ambient temperature	5 ÷ 60 °C
Fluid	compressed air, with or without lubrication
Working pressure	0 ÷ 10 bar
Max pressure	12 bar
Size	0 - 1 - 2

CONSTRUCTIVE CHARACTERISTICS

Body	tecnopolymer with metal threaded elements (size 0) die-cast aluminium (size 1 - 2)
Knob	tecnopolymer
Ring nut	tecnopolymer
Bowl	polycarbonate
Bowl guard	tecnopolymer (size 1-2)
Filter element	synthetic fibre
Seals	nitrile rubber
Springs	steel
Diaphragm	fabric reinforced rubber

CODIFICATION KEY

H	Z	E	0	B	0	8	G	M	
1	2	3	4	5	6				

1 Series	2 Size	3 Model
HZE	0 = small (G1/4") 1 = medium (G3/8" - G1/2") 2 = large (G1/2")	B = Filter regulator C = Filter+Regulator+Lubricator (F+R+L) D = Filter regulator+Lubricator (FR+L) F = Filter L = Lubricator R = Regulator

4 Port	5 Pressure gauge	6 Filtration
08G = G1/4" (tg.0) 10G = G3/8" (tg.1) 15G = G1/2" (tg.1 - 2)	blank = port G1/8 (upon request only for size 0) M = integrated square pressure gauge (standard)	blank = 5 micron (standard) su richiesta = other filtration ratings

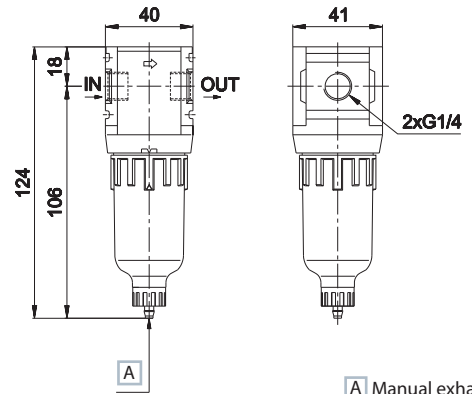
Size 0: G1/8 thread optional (code HZE7Z480)

Size 1 - 2: G1/8 square adaptor included for round pressure gauge mounting

Size	0	1	2	
Part no.	HZE0F08G	HZE1F10G	HZE1F15G	HZE2F15G
Threaded port	G1/4	G3/8	G1/2	G1/2
Filtration rating (µm)	5	5	5	5
Flow rate (NI/min) ^(A)	1100	3500	6500	
Max inlet pressure (bar-MPa-psi)	10 - 1 - 145	10 - 1 - 145	10 - 1 - 145	
Fluid	compressed air	compressed air	compressed air	
Temperature (°C)	0 ÷ 60	0 ÷ 60	0 ÷ 60	
Condensation drain capacity (cm3)	12	45	80	
Condensation drain	manual	manual	manual	
Weight (Kg)	0,10	0,31	0,55	
Mounting position	vertical	vertical	vertical	

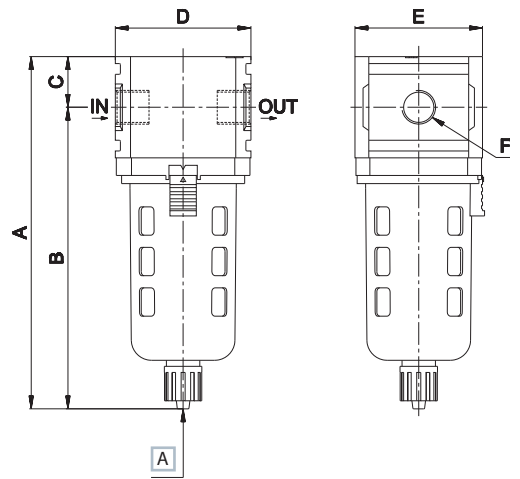
(A) = inlet pressure 6 bar, outlet pressure 5 bar - Δp 1 bar

HZE0F08G



A Manual exhaust

HZE1F10G - HZE1F15G / HZE2F15G



A Manual exhaust

size	A	B	C	D	E	F
1	180	157	23	63	63	G3/8-G1/2
2	195	172	23	80	80	G1/2

Size	0	1	2	
Part no.	HZE0R08GM	HZE1R10GM	HZE1R15GM	HZE2R15GM
Threaded port	G1/4	G3/8	G1/2	G1/2
Flow (NI/min) (A)	1000	2100	4300	
Max inlet pressure (bar-MPa-psi)	10 - 1 - 145	10 - 1 - 145	10 - 1 - 145	
Pressure adjustment relieving (bar) (D)	0,5 ÷ 8,5	0,5 ÷ 8,5	0,5 ÷ 8,5	
Pressure gauge (standard supplied)	HZ9464G	HZ9464G	HZ9464G	
Pressure gauge port	G1/8 (B)	G1/8 (C)	G1/8 (C)	
Fluid	aria filtrata	aria filtrata	aria filtrata	
Temperature (°C)	0 ÷ 60	0 ÷ 60	0 ÷ 60	
Weight (Kg)	0,16	0,45	0,70	
Mounting position	vertical/horizontal	vertical/horizontal	vertical/horizontal	

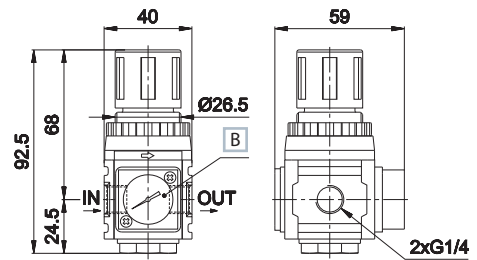
(A) = inlet pressure 6 bar, outlet pressure 5 bar - Δp 1 bar

(B) = optional (replace HZ9464G gauge with G1/8 adaptor HZE7Z480 to be ordered separately)

(C) = standard (replace HZ9464G gauge with G1/8 adaptor HZE7Z480 placed on the back side)

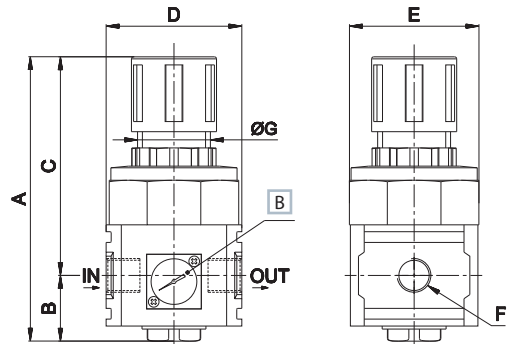
(D) = setting option 2 bar - 4 bar

HZE0R08GM



B HZ9464G gauge standard supplied

HZE1R10GM - HZE1R15GM / HZE2R15GM



B HZ9464G gauge standard supplied

size	A	B	C	D	E	F	G
1	136	32,5	103,5	63	63	G3/8-G1/2	40
2	145	34,5	110,5	80	80	G1/2	47

> Lockable regulator size 1 - 2



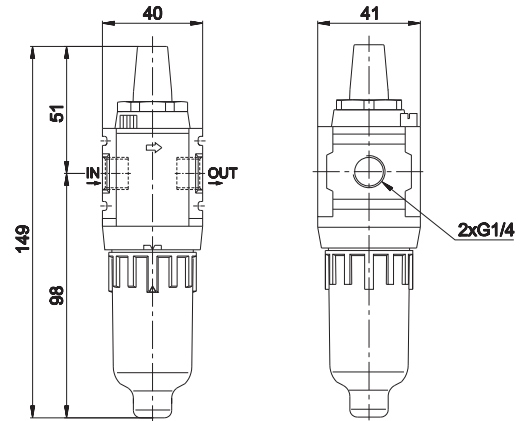
size	Part no.
1	HZE1RL10GM - HZE1RL15GM
2	HZE2RL15GM

Lock not included

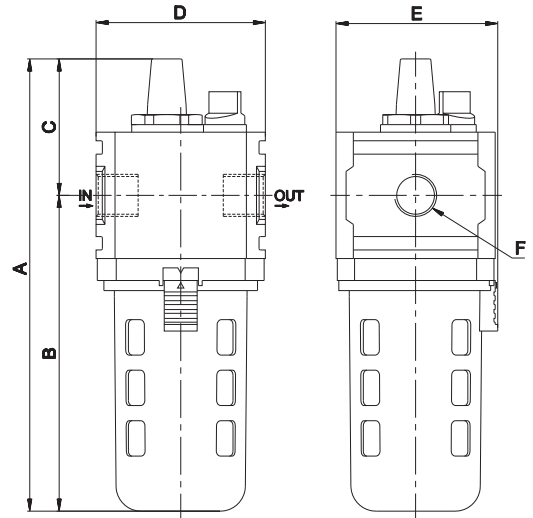
Size	0	1	2	
Part no.	HZE0L08G	HZE1L10G	HZE1L15G	HZE2L15G
Threaded port	G1/4	G3/8	G1/2	G1/2
Flow (NI/min) (A)	1400	4400	7000	
Max inlet pressure (bar-MPa-psi)	10-1-145	10-1-145	10-1-145	
Fluid	filtered air	filtered air	filtered air	
Temperature (°C)	0 ÷ 60	0 ÷ 60	0 ÷ 60	
Bowl capacity (cm3)	20	85	170	
Weight (Kg)	0,10	0,31	0,46	
Mounting position	vertical	vertical	vertical	
Recommended oil	ISO VG 32	ISO VG 32	ISO VG 32	
Minimum working flow (l/min)	25	30	65	

(A) = inlet pressure 6 bar, outlet pressure 5 bar - Δp 1 bar

HZE0L08G



HZE1L10G - HZE1L15G / HZE2L15G



size	A	B	C	D	E	F
1	182,5	130	52,5	63	63	G3/8-G1/2
2	201,5	148	53,5	80	80	G1/2

Size	0	1	2	
Part no.	HZE0B08GM	HZE1B10GM	HZE1B15GM	HZE2B15GM
Threaded port	G1/4	G3/8	G1/2	G1/2
Filtration rating (µm)	5	5	5	5
Flow NI/min (A)	600	2300	4500	4500
Max inlet pressure (bar-MPa-psi)	10-1-145	10-1-145	10-1-145	10-1-145
Pressure adjustment by relieving (bar)(D)	0,5 ÷ 8,5	0,5 ÷ 8,5	0,5 ÷ 8,5	0,5 ÷ 8,5
Pressure gauge (standard supplied)	HZ9464G	HZ9464G	HZ9464G	HZ9464G
Pressure gauge port	G1/8(B)	G1/8(C)	G1/8(C)	G1/8(C)
Fluid	compressed air	compressed air	compressed air	compressed air
Temperature (°C)	0 ÷ 60	0 ÷ 60	0 ÷ 60	0 ÷ 60
Condensation drain capacity (cm3)	12	45	80	80
Condensation drain	manual	manual	manual	manual
Weight (Kg)	0,21	0,65	1,00	1,00
Mounting position	vertical	vertical	vertical	vertical

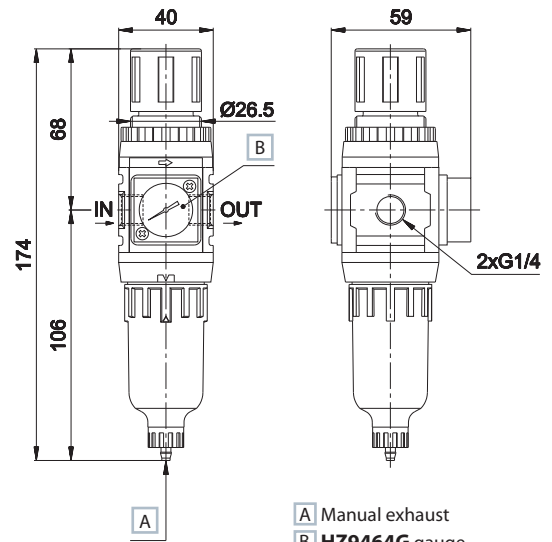
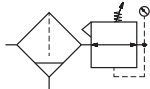
(A) = inlet pressure 6 bar, outlet pressure 5 bar - Δp 1 bar

(B) = optional (replace HZ9464G gauge with G1/8 adaptor HZE7Z480 to be ordered separately)

(C) = standard (replace HZ9464G gauge with G1/8 adaptor HZE7Z480 placed on the back side)

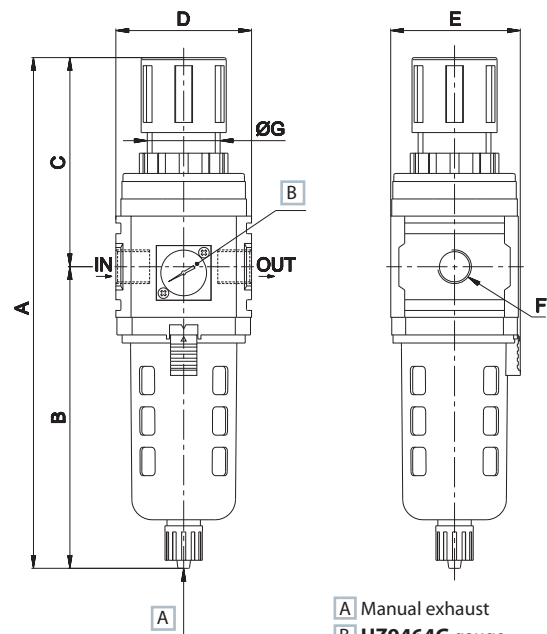
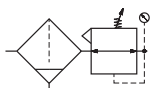
(D) = setting option 2 bar - 4 bar

HZE0B08GM



A Manual exhaust
 B HZ9464G gauge standard supplied

HZE1B10GM - HZE1B15GM / HZE2B15GM



A Manual exhaust
 B HZ9464G gauge standard supplied

size	A	B	C	D	E	F	G
1	259	156	103	63	63	G3/8-G1/2	40
2	280	170	110	80	80	G1/2	47

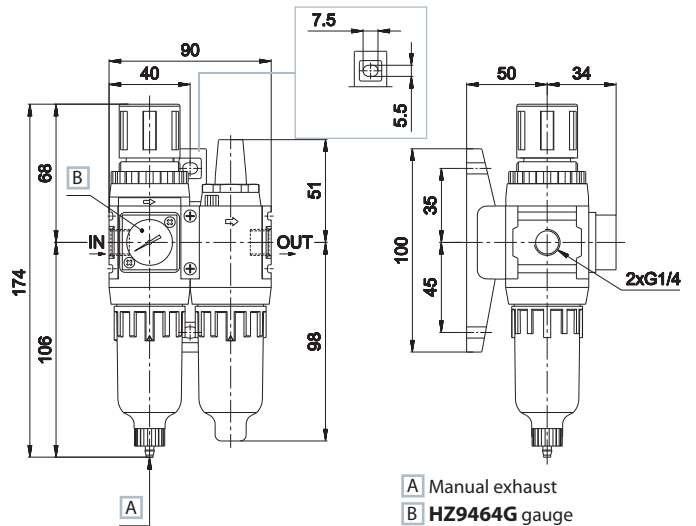
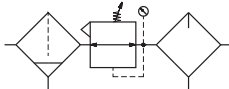
size	0	1	2	
Part no.	HZE0D08GM	HZE1D10GM	HZE1D15GM	HZE2D15GM
Threaded port	G1/4	G3/8	G1/2	G1/2
Filtration rating (µm)	5	5	5	5
Flow NI/min (A)	600	2800	4300	
Max inlet pressure (bar-MPa-psi)	10-1-145	10-1-145	10-1-145	10-1-145
Pressure adjustment by relieving (bar)	0,5 ÷ 8,5	0,5 ÷ 8,5	0,5 ÷ 8,5	0,5 ÷ 8,5
Pressure gauge (standard supplied)	HZ9464G	HZ9464G	HZ9464G	HZ9464G
Pressure gauge port	G1/8 ^(B)	G1/8 ^(C)	G1/8 ^(C)	G1/8 ^(C)
Fluid	compressed air	compressed air	compressed air	compressed air
Temperature (°C)	0 ÷ 60	0 ÷ 60	0 ÷ 60	0 ÷ 60
Condensation drain capacity (cm3)	12	45	80	
Condensation drain	manual	manual	manual	manual
Weight (Kg)	0,33	1,05	1,55	
Mounting position	vertical	vertical	vertical	vertical
Recommended oil	ISO VG 32	ISO VG 32	ISO VG 32	ISO VG 32
Minimum working flow (l/min)	25	30	65	

(A) = inlet pressure 6 bar, outlet pressure 5 bar - Δp 1 bar

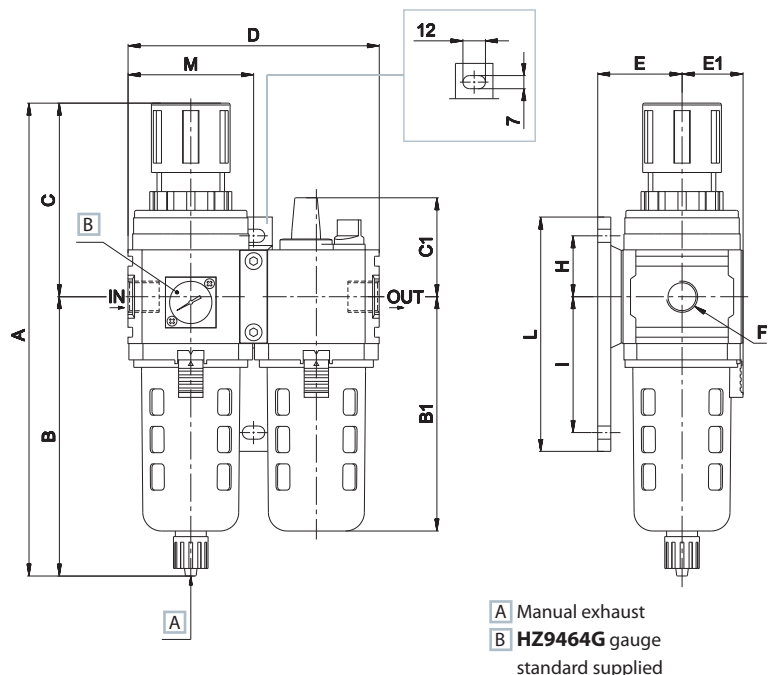
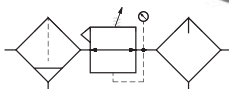
(B) = optional (replace HZ9464G gauge with G1/8 adaptor HZE7Z480 to be ordered separately)

(C) = standard (replace HZ9464G gauge with G1/8 adaptor HZE7Z480 placed on the back side)

HZE0D08GM



HZE1D10GM - HZE2D15GM



size	A	B	B1	C	C1	D	E	E1	F	H	I	L	M
1	259	156	130	103	52,5	126	45	31,5	G3/8-G1/2	45	60	125	63
2	280	170	148	110	53,5	160	55	40	G1/2	45	60	125	80

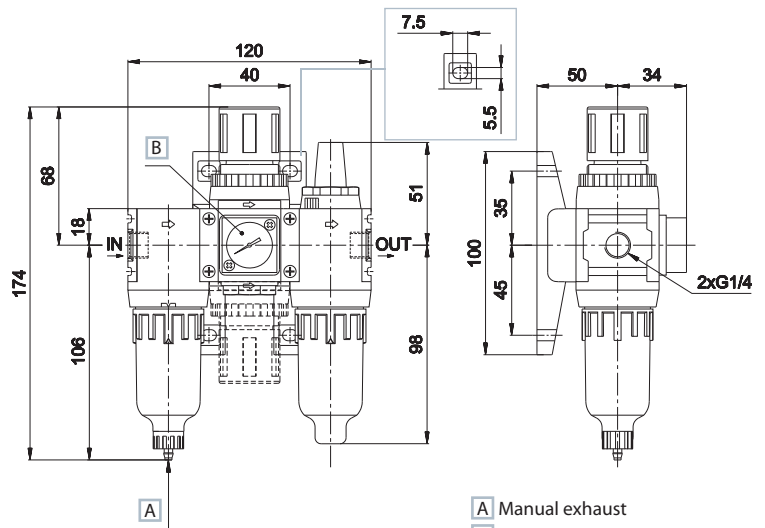
size	0	1	2	
Part no.	HZE0C08GM	HZE1C10GM	HZE1C15GM	HZE2C15GM
Threaded port	G1/4	G3/8	G1/2	G1/2
Filtration rating (µm)	5	5	5	5
Flow NI/min ^(A)	550	1700	2500	
Max inlet pressure (bar-MPa-psi)	10-1-145	10-1-145	10-1-145	10-1-145
Pressure adjustment by relieving (bar)	0,5 ÷ 8,5	0,5 ÷ 8,5	0,5 ÷ 8,5	0,5 ÷ 8,5
Pressure gauge (standard supplied)	HZ9464G	HZ9464G	HZ9464G	HZ9464G
Pressure gauge port	G1/8 ^(B)	G1/8 ^(C)	G1/8 ^(C)	G1/8 ^(C)
Fluid	compressed air	compressed air	compressed air	compressed air
Temperature (°C)	0 ÷ 60	0 ÷ 60	0 ÷ 60	0 ÷ 60
Condensation drain capacity (cm3)	12	45	80	
Condensation drain	manual	manual	manual	manual
Weight (Kg)	0,40	1,25	1,90	
Mounting position	vertical	vertical	vertical	vertical
Recommended oil	ISO VG 32	ISO VG 32	ISO VG 32	ISO VG 32
Minimum working flow (l/min)	25	30	65	

(A) = inlet pressure 6 bar, outlet pressure 5 bar - Δp 1 bar

(B) = optional (replace HZ9464G gauge with G1/8 adaptor HZE7Z480 to be ordered separately)

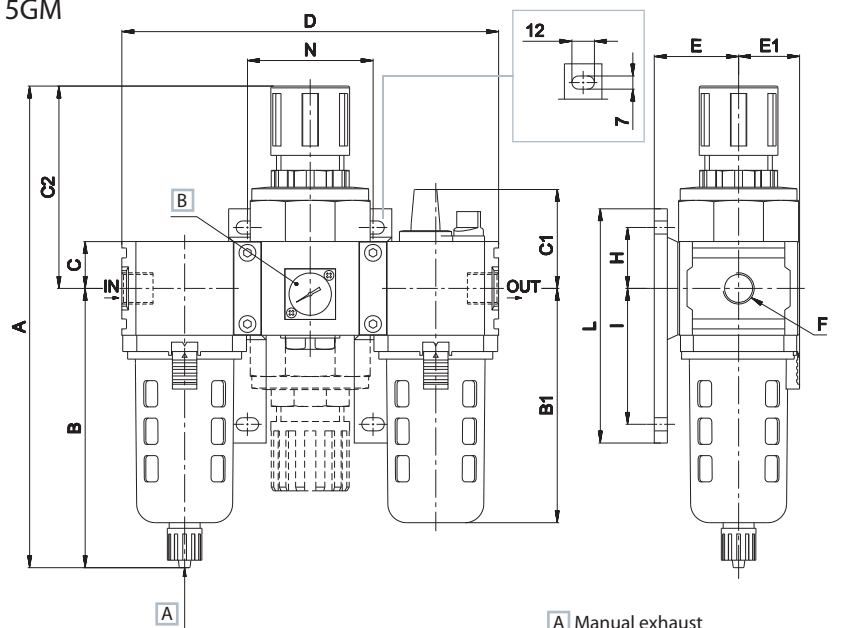
(C) = standard (replace HZ9464G gauge with G1/8 adaptor HZE7Z480 placed on the back side)

HZE0C08GM



A Manual exhaust
B HZ9464G gauge standard supplied

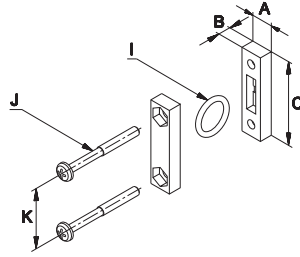
HZE1C10GM - HZE1C15GM / HZE2C15GM



A Manual exhaust
B HZ9464G gauge standard supplied

size	A	B	B1	C	C1	C2	D	E	E1	F	H	I	L	N
1	260,5	157	130	23	52,5	103,5	190	45	31,5	G3/8-G1/2	45	60	125	63
2	282,5	172	148	23	53,5	110,5	240	55	40	G1/2	45	60	125	80

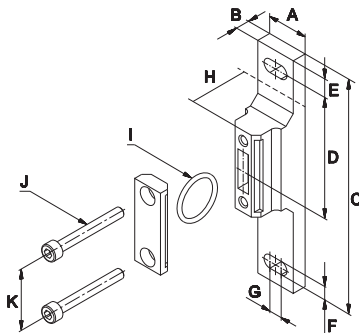
Assembly kit



size	A	B	C	ØI	J	K	Part no.
0	9,5	5,5	36	18	M3x37	26	HZE0Z200
1	15	7	44	25,7	M5x45	32	HZE1Z200
2							



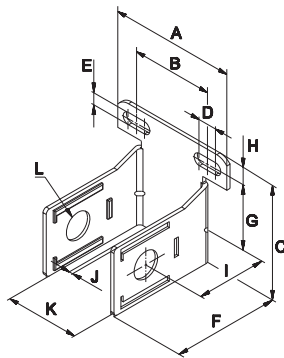
Assembly kit T-bracket



size	A	B	C	D	E	F	G	H	ØI	J	K	Part no.
0	16	7	105	35,5	10	5,5	4	25	18	M3x37	26	HZE0Z210
1	22	7	125	45	10	7	7	27	25,7	M5x45	32	HZE1Z210
2	22,5	7	125	45	10	7	7	37	25,7	M5x45	32	HZE2Z210



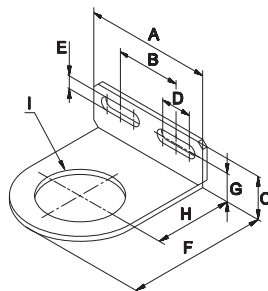
C- bracket



size	A	B	C	D	E	F	G	H	I	J	K	ØL	Part no.
0	68	44	61,5	10	6,5	60	35	8,5	40	2	40	14	HZE0Z300
1	67	34,5	76	14	7	69	45	9	45	2,3	63	25	HZE1Z300
2	84	55	93,5	14	9	102	50	11	65	2,3	80	25	HZE2Z300



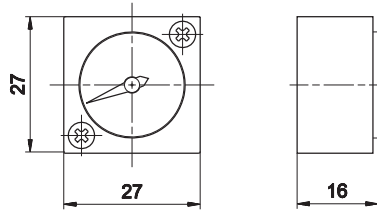
Regulator L-bracket



size	A	B	C	D	E	F	G	H	ØI	Part no.
0	68	44	24,5	10	6,5	59	16	40	26,5	HZE0Z310
1	67	34,5	26	16,5	7	76	18	45	40	HZE1Z310
2	84	55	26	16,5	7	94	18	45	47	HZE2Z310



HZ9464G



Square pressure gauge standard supplied
size 0 - 1 - 2 (0 ÷ 12 bar)
Bolt tightening torque: Max 0,6 Nm

HZE7Z480

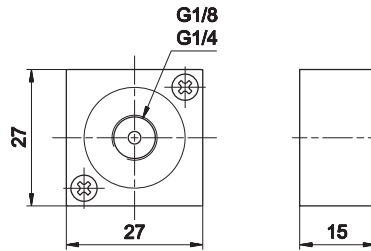
HZE7Z490



G1/8

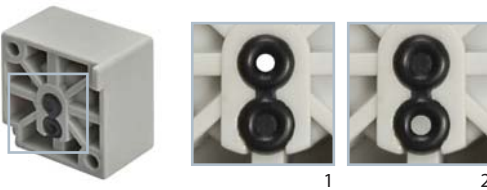


G1/4



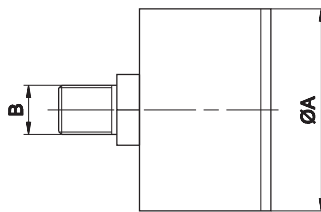
Threaded square adaptor for round pressure gauge
Bolt tightening torque: Max 0,6 Nm

> Seal detail



While replacing the square gauge with the threaded square adaptor, be sure that the seal is rotated like in photo no 1.






HZ9P...









Part no.	Ø A	Scale		Port - B
		bar	MPa	
HZ9P400318	40	0 - 2,5	0 - 0,25	G1/8C
HZ9P400618	40	0 - 6	0 - 0,6	G1/8C
HZ9P401018	40	0 - 10	0 - 1	G1/8C
HZ9P500314	50	0 - 2,5	0 - 0,25	G1/4C
HZ9P500614	50	0 - 6	0 - 0,6	G1/4C
HZ9P501014	50	0 - 10	0 - 1	G1/4C
HZ9P630314	63	0 - 2,5	0 - 0,25	G1/4C
HZ9P630614	63	0 - 6	0 - 0,6	G1/4C
HZ9P631014	63	0 - 10	0 - 1	G1/4C

Body: tecnopolymer
Dial: pressure inserted acrylic
Accuracy: EN 837 class 1,6 - 2,5. ASME B40.1 Grade B
Protection: IP 43

> Filter and filter regulator spare parts










Standard bowl with manual drain			Automatic drain	
				
Size 0 HZE0Z600	Size 1 HZE1Z600	Size 2 HZE2Z600	Size 1 HZE1Z400	Size 2 HZE2Z400




Filter elements			Coalescing filter		
					
Size 0 HZE0Z660 HZE0Z664	Size 1 HZE1Z660 HZE1Z664	Size 2 HZE2Z660 HZE2Z664	Size 1 HZE1Z670	Size 2 HZE2Z670	5 µm 20/50 µm 0,3 µm

> Lubricator spare parts

Bowl			Lubricator dome
			
Size 0 HZE0Z601	Size 1 HZE1Z601	Size 2 HZE2Z601	Size 0 - 1 - 2 HZE7Z470

> Regulator and filter regulator spare parts

Diaphragm assembly			Regulator spring			Panel ring nut		
								
Size 0 HZE0Z610 HZE0Z611	Size 1 HZE1Z610 HZE1Z611	Size 2 HZE2Z610 HZE2Z611	Size 1 HZE1Z652 HZE1Z654 HZE1Z658	Size 2 HZE2Z652 HZE2Z654 HZE2Z658	Pressure adjustment 0,5 ÷ 1,7 0,5 ÷ 3,5 0,5 ÷ 8,5	Size 0 HZE0Z603	Size 1 HZE1Z603	Size 2 HZE2Z603

Knob		
		
Size 0 HZE0Z602	Size 1 HZE1Z602	Size 2 HZE2Z602

UNIVER S.p.A.
Headquarter
I - 20128 **Milano**

Via Eraclito, 31
Tel. +39 02 25298.1
Fax +39 02 2575254
e-mail: info@univer-group.com
www.univer-group.com

UNIVER SERVICE S.r.l.
Headquarter
I - 20128 **Milano**

Via Empedocle, 20
Tel. +39 02 25298.1
Fax +39 02 25298370
e-mail: universervice@universervice.it
www.universervice.it

UNIVER CUNEO S.r.l.

12040 **Cervere (CN)**
Via dell'Aviazione s.n.
Tel. +39 0172 495790/38
Fax +39 0172 2495611

Branch Office:

LOMBARDIA/VENETO

I - 20128 **Milano**
Via Empedocle, 20
Tel. +39 0225298.1
Fax +39 0225298370
universervice@universervice.it
www.universervice.it

I - 24060 Castelli Calepio **Bergamo**

Via C. Curotti, 31/33
Tel. +39 035 892707
Fax +39 035 892700
castellicalepio@universervice.it
www.universervice.it

PIEMONTE/LIGURIA/VALLE D'AOSTA

I - 10071 Borgaro Torinese **Torino**
Via Veneto, 18
Tel. +39 011 4501871
Fax +39 011 4502898
torino@universervice.it
www.universervice.it

EMILIA ROMAGNA/TOSCANA/MARCHE

I - 40069 Zola Predosa **Bologna**
Via Guido Rossa, 21
Tel. +39 051 753907
Fax +39 051 6184751
bologna@universervice.it
www.universervice.it

CENTRO/SUD

I - 40069 Zola Predosa **Bologna**
Via Guido Rossa, 21
Tel. +39 051 753907
Fax +39 051 6184751
bologna@universervice.it
www.universervice.it

www.univer-group.com

UNIVER Pty Ltd

AUSTRALIA - 3175 **Victoria**
Nicole Way Dandenong, 11
Tel. +61 3 97930377
Fax +61 3 97930399
e-mail: sales@univer.net.au

UNIVER G.m.b.H.

GERMANY - 53859 **Niederkassel**
Marktstraße 114
Tel. +49 2208 90900
Fax +49 2208 909040
e-mail: info@univer-gmbh.de
www.univer-gmbh.de

UNIVER

Manufacturing Company Ltd.
UNITED KINGDOM - **Bradford**
Station Road - West Yorkshire BD145F
Tel. +44 1274 725777
Fax +44 1274 725111
e-mail: enquiries@univer.co.uk
www.univer.co.uk

UNIVER do Brasil S/A

BRASIL - 83055-320
São José dos Pinhais - Paraná
Av. Rui Barbosa, 3005
Tel. +55 41 33824606
Fax +55 41 33824807
e-mail: univerbrasil@univer.com.br
www.univer.com.br

UNIVER S.L.

System Supplier Pneumatic
SPAIN - 08210 **Barbera Del Valles**
Barcelona - Ronda Industria, 26 - 28
Tel. +34 93 7297360
Fax +34 93 7297380
e-mail: univer@univerweb.com
www.univerweb.com

UNIVER M. VIOLA

POLAND - 43300 **Bielsko-Biala**
Ul. Zywiecka, 158
Tel. +48 33 8105354/+48 33 8140438
Fax +48 33 8140439
e-mail: pneumatyka@univer.pl

UNIVER OY

FINLAND - 15200 **Lahti**
Hirsimetsäntie, 9
Tel. +358 207 491400
Fax +358 207 491401
e-mail: sales@univer.fi
www.univer.fi

UNIVER SWEDEN AB

SWEDEN - 44361 **Stenkullen**
Hedeforsvägen, 2
Tel. +46 302 23060
Fax +46 302 22864
e-mail: info@univer.se
www.univer.se

Distributors Worldwide:

ARGENTINA	INDIA
AUSTRIA	INDONESIAN
BELGIUM	IRELAND
CANADA	ISRAEL
CHINA	LITHUANIA
CÔTE D'IVOIRE	MALAYSIA
CYPRUS	MOROCCO
CZECH REPUBLIC	NEW ZEALAND
DENMARK	PAKISTAN
ECUADOR	PERU'
EGYPT	PORTUGAL
GREECE	SAUDI ARABIA /
HOLLAND	KUWAIT / QATAR
HUNGARY	

UNIVER FRANCE S.a.s.

FRANCE - 68000 **Colmar**
1, rue Denis Papin
Tel. +33 03 89210900
Fax +33 03 89216850
e-mail: info@univer-france.fr
www.univer-france.fr

UNIVER AG

SWITZERLAND - 6312 **Steinhausen**
Postfach - Sumpfstrasse, 26
Tel. +41 41 7417580
Fax +41 41 7417280
e-mail: mail@univer-ag.ch
www.univer-ag.ch

SERBIAN REPUBLIC
ROMANIA
SLOVENIA
SOUTH AFRICA
SOUTH KOREA
SYRIA
TAIWAN
THAILAND
TUNISIA
TURKEY
USA
UNITED ARAB EMIRATES /
OMAN / YEMEN