

Size	0	1	2	
Part no.	HZE0R08GM	HZE1R10GM	HZE1R15GM	HZE2R15GM
Threaded port	G1/4	G3/8	G1/2	G1/2
Flow (NI/min) (A)	1000	2100	4300	
Max inlet pressure (bar-MPa-psi)	10 - 1 - 145	10 - 1 - 145	10 - 1 - 145	
Pressure adjustment relieving (bar) (D)	0,5 ÷ 8,5	0,5 ÷ 8,5	0,5 ÷ 8,5	
Pressure gauge (standard supplied)	HZ9464G	HZ9464G	HZ9464G	
Pressure gauge port	G1/8 (B)	G1/8 (C)	G1/8 (C)	
Fluid	aria filtrata	aria filtrata	aria filtrata	
Temperature (°C)	0 ÷ 60	0 ÷ 60	0 ÷ 60	
Weight (Kg)	0,16	0,45	0,70	
Mounting position	vertical/horizontal	vertical/horizontal	vertical/horizontal	

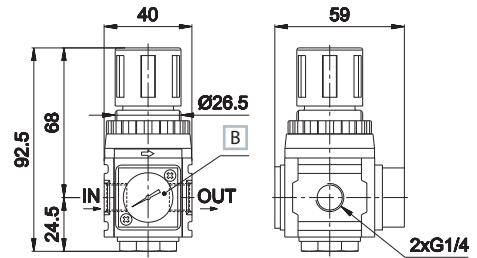
(A) = inlet pressure 6 bar, outlet pressure 5 bar - Δp 1 bar

(B) = optional (replace HZ9464G gauge with G1/8 adaptor HZE7Z480 to be ordered separately)

(C) = standard (replace HZ9464G gauge with G1/8 adaptor HZE7Z480 placed on the back side)

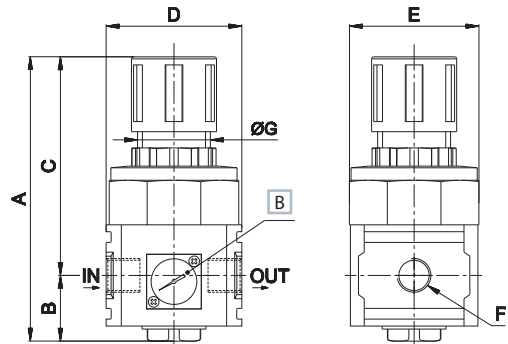
(D) = setting option 2 bar - 4 bar

HZE0R08GM



B HZ9464G gauge standard supplied

HZE1R10GM - HZE1R15GM / HZE2R15GM



B HZ9464G gauge standard supplied

size	A	B	C	D	E	F	G
1	136	32,5	103,5	63	63	G3/8-G1/2	40
2	145	34,5	110,5	80	80	G1/2	47

> Lockable regulator size 1 - 2



size	Part no.
1	HZE1RL10GM - HZE1RL15GM
2	HZE2RL15GM

Lock not included