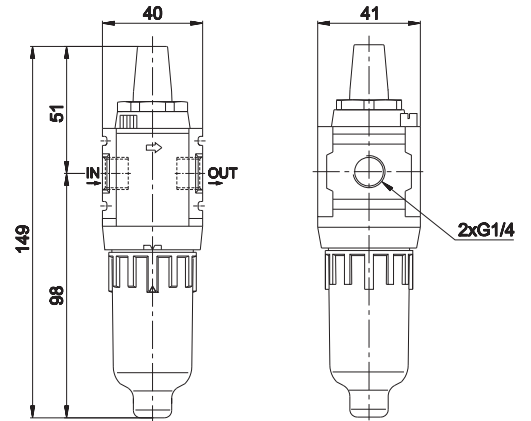


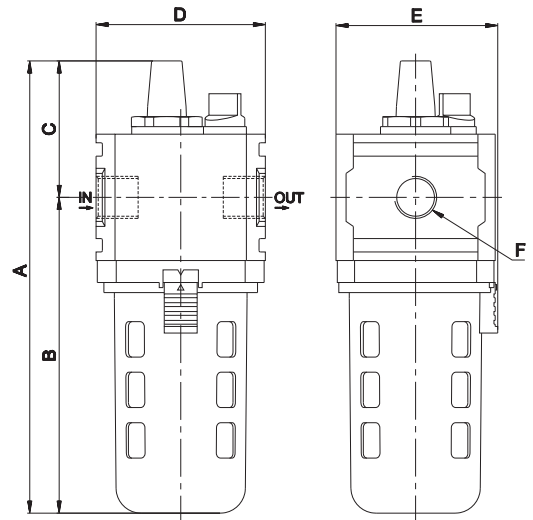
Size	0	1	2	
Part no.	HZE0L08G	HZE1L10G	HZE1L15G	HZE2L15G
Threaded port	G1/4	G3/8	G1/2	G1/2
Flow (NI/min) (A)	1400	4400	7000	
Max inlet pressure (bar-MPa-psi)	10-1-145	10-1-145	10-1-145	
Fluid	filtered air	filtered air	filtered air	
Temperature (°C)	0 ÷ 60	0 ÷ 60	0 ÷ 60	
Bowl capacity (cm3)	20	85	170	
Weight (Kg)	0,10	0,31	0,46	
Mounting position	vertical	vertical	vertical	
Recommended oil	ISO VG 32	ISO VG 32	ISO VG 32	
Minimum working flow (l/min)	25	30	65	

(A) = inlet pressure 6 bar, outlet pressure 5 bar - Δp 1 bar

HZE0L08G



HZE1L10G - HZE1L15G / HZE2L15G



size	A	B	C	D	E	F
1	182,5	130	52,5	63	63	G3/8-G1/2
2	201,5	148	53,5	80	80	G1/2