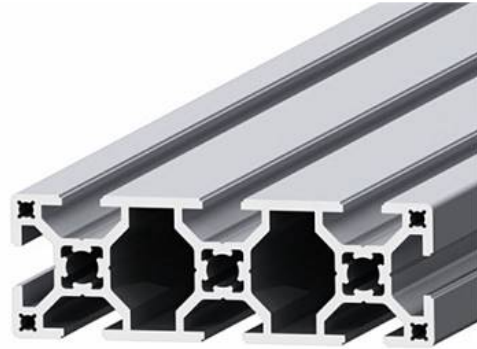
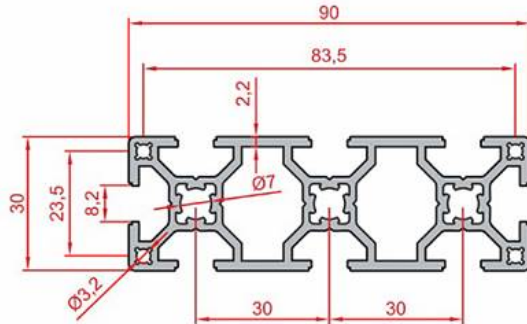


30X90 SIGMA PROFILE



General Specifications

Ensures wide connection thanks to triple slot feature.  
Machine frames can be used as upper and side body; while conveyor frame can serve as main body profile.

Stock Code	Stock Name	External Dimensions	Material	L(mm)	Ix	Iy	Wx	Wy	Area	Mass
1.1.08.030090.02	30x90 Sigma Profile	30x90	6063 T5	6000	63,29 cm <sup>4</sup>	7,99 cm <sup>4</sup>	14,06 cm <sup>3</sup>	5,32 cm <sup>3</sup>	8,12 cm <sup>2</sup>	2,19 Kg/m