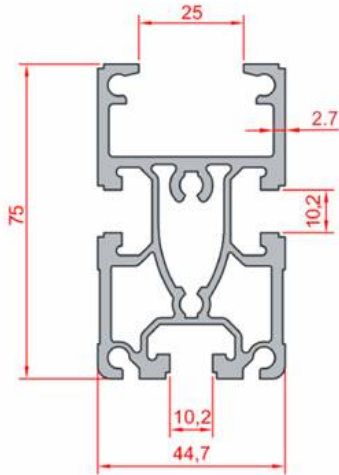


45X75 CONVEYOR PROFILE



General Specifications

Narrow-belt conveyor profile offers practical solutions in formation of conveyors for palletized transport.

The friction plastic, mounted on upper slot of profile, provides a guide for moving belt.

Stock Code	Stock Name	External Dimensions	Material	L(mm)	Ix	Iy	Wx	Wy	Area	Mass
1.2.00.045075.00	45x75 Conveyor Profile	45x75	6063 T5	6000	45,80 cm ⁴	23,46 cm ⁴	20,35 cm ³	6,25 cm ³	9,42 cm ²	2,54 Kg/m