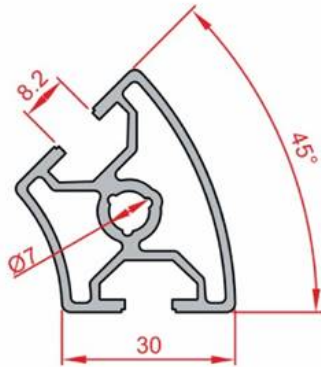


30X45 ANGLED PROFILE



General Specifications

The 45° angle enables easy integration.  
Stylish view ensures elegance in machine cabins and desk corners.

Stock Code	Stock Name	External Dimensions	Material	L(mm)	Ix	Iy	Wx	Wy	Area	Mass
1.1.08.030045.08	30x45 Angled Profile	30x45	6063 T5	6000	3,02 cm <sup>4</sup>	4,57 cm <sup>4</sup>	2,1 cm <sup>3</sup>	2,2 cm <sup>3</sup>	3,35 cm <sup>2</sup>	0,91 Kg/m