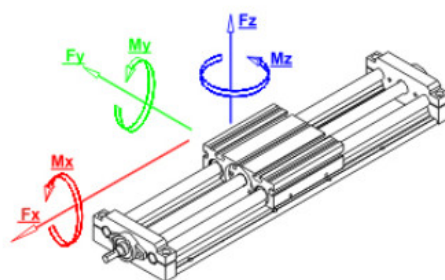
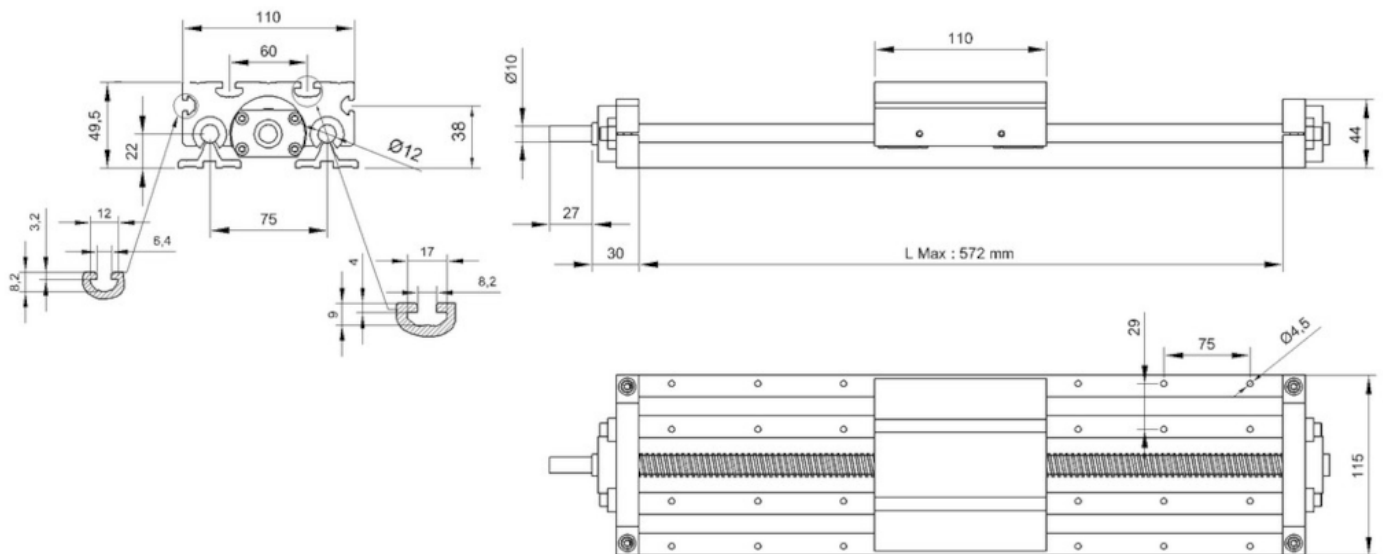




Stock Code	Stock Name	Plate Length	Ball Screw Brand	Ball Screw	Induction Shaft	Maximum Speed
5.2.05.110110.3.02.2	Ø 12 Dkm Module	110 mm	Glen	12x05	Ø12 CF53 h7	0,10 mt/sn

Body ; Profile (Aluminium 6063)
Positioning Accuracy ; 0,2 mm



■ F_x	(N)	360
■ F_y	(N)	850
■ F_z	(N)	1215
Moment		
■ M_x	(Nm)	100
■ M_y	(Nm)	80
■ M_z	(Nm)	110