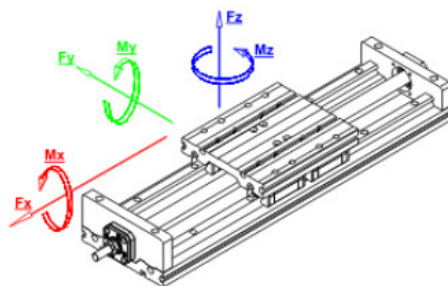
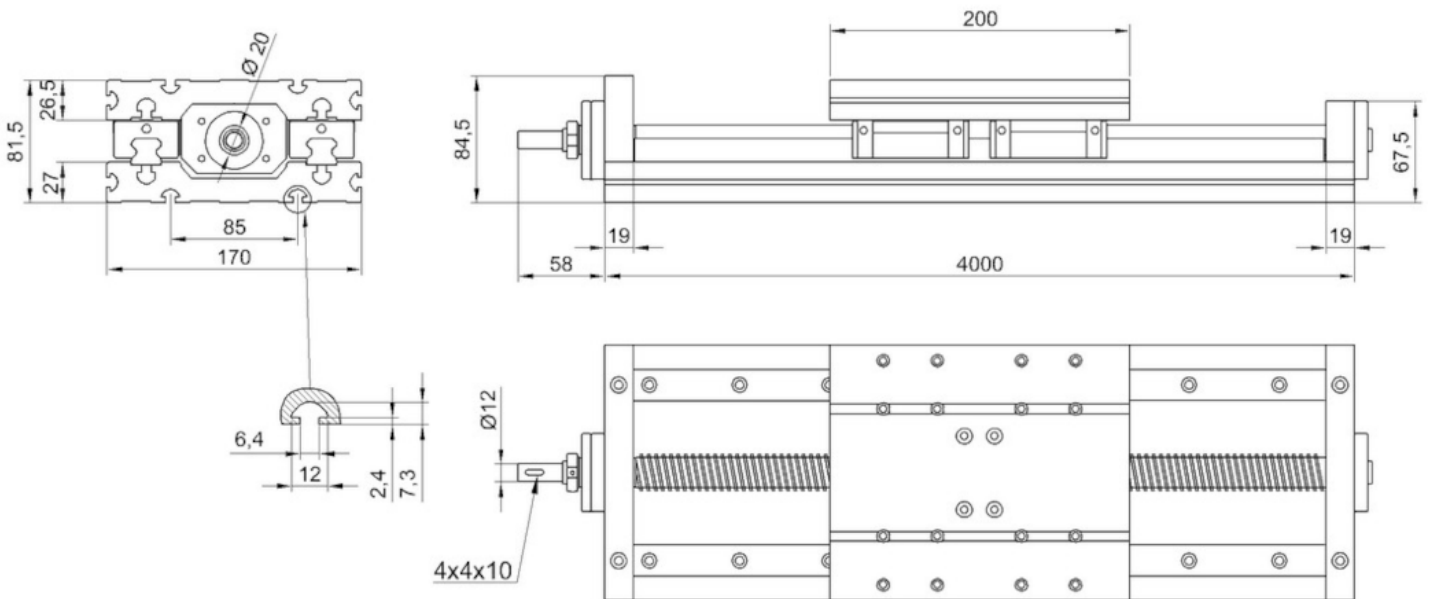


Body ; 27x170 Profile (Aluminium 6063) T5  
Positioning Accuracy ; 0,01 mm

Stock Code	Stock Name	Plate Length	Ball Screw Brand	Ball Screw	Linear Rail Brand	Linear Rail	Maximum Speed
5.2.07.027170.2.05.1.0200	Dkzm 20 Linear Module	150 mm	DKM	20x05	DMS	GHR 20	0,13 mt/sn
5.2.07.027170.2.05.1.0201	Dkzm 20 Linear Module	200 mm	DKM	20x05	DMS	GHR 20	0,13 mt/sn
5.2.07.027170.2.05.1.0400	Dkzm 20 Linear Module	150 mm	Gten	20x05	THK	HSV 20	0,13 mt/sn
5.2.07.027170.2.05.1.0402	Dkzm 20 Linear Module	200 mm	Gten	20x05	THK	HSV 20	0,13 mt/sn
5.2.07.027170.2.05.1.0600	Dkzm 20 Linear Module	150 mm	DKM	20x20	DMS	GHR 20	0,52 mt/sn
5.2.07.027170.2.05.1.0601	Dkzm 20 Linear Module	200 mm	DKM	20x20	DMS	GHR 20	0,52 mt/sn
5.2.07.027170.2.05.1.0800	Dkzm 20 Linear Module	150 mm	Gten	20x20	THK	HSV 20	0,52 mt/sn
5.2.07.027170.2.05.1.0801	Dkzm 20 Linear Module	200 mm	Gten	20x20	THK	HSV 20	0,52 mt/sn



		2 ARABALI	4 ARABALI
<span style="color: red;">■</span> $F_x$	(N)	2235	3680
<span style="color: green;">■</span> $F_y$	(N)	1925	4400
<span style="color: blue;">■</span> $F_z$	(N)	2580	5760
<b>Moment</b>			
<span style="color: red;">■</span> $M_x$	(Nm)	650	650
<span style="color: green;">■</span> $M_y$	(Nm)	440	290
<span style="color: blue;">■</span> $M_z$	(Nm)	440	290