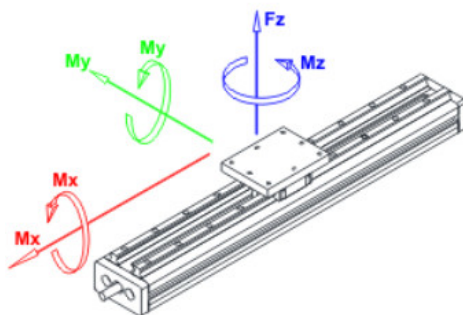
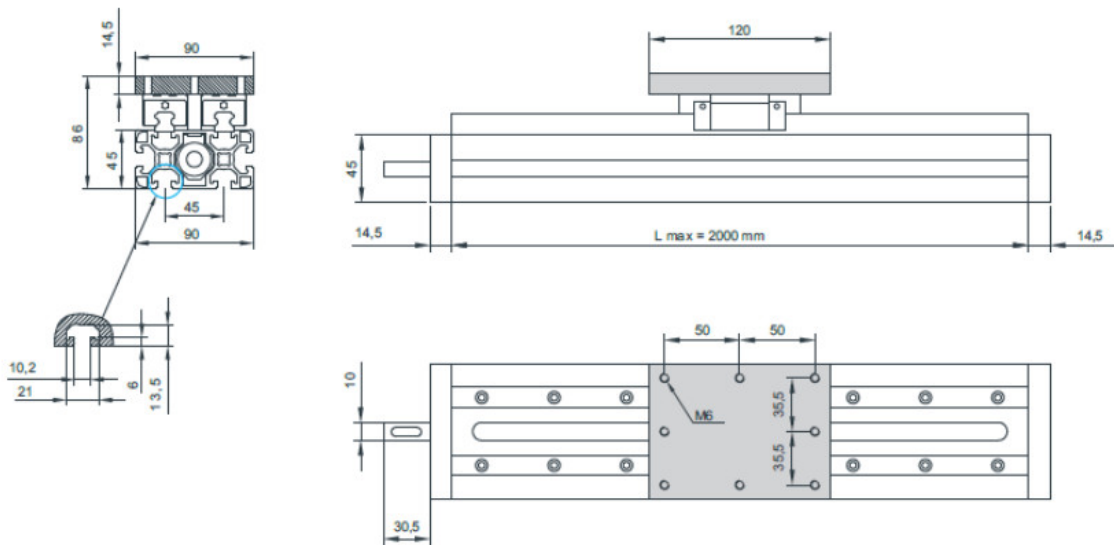


Stock Code	Stock Name	Plate Length	Ball Screw Brand	Ball Screw	Linear Rail Brand	Linear Rail	Maximum Speed
5.02.06.045090.01.0200	45x90 Spot Module	120 mm	Gten	12x05	DMS	ASR 15	0,10 mt/sn
5.02.06.045090.01.0400	45x90 Spot Module	120 mm	Gten	12x05	THK	HSV 15	0,10 mt/sn

Body ; 45x90 Heavy Profile (Aluminium 6063) T5
Positioning Accuracy ; 0,01 mm



■ F_x	(N)	725
■ F_y	(N)	878
■ F_z	(N)	1157
Moment		
■ M_x	(Nm)	110
■ M_y	(Nm)	70
■ M_z	(Nm)	75