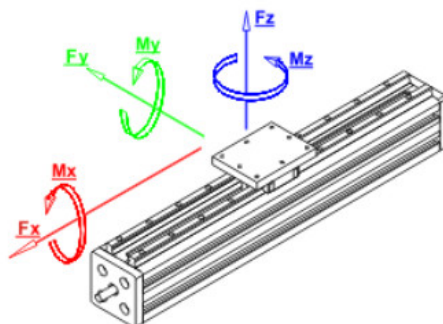
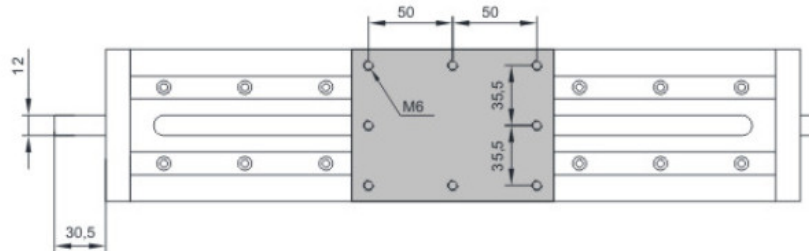
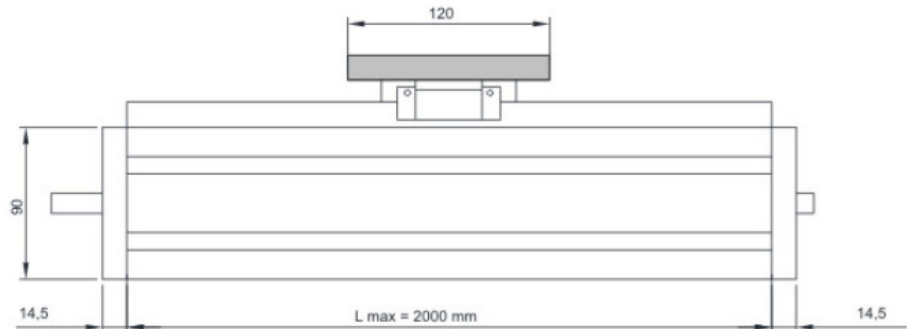
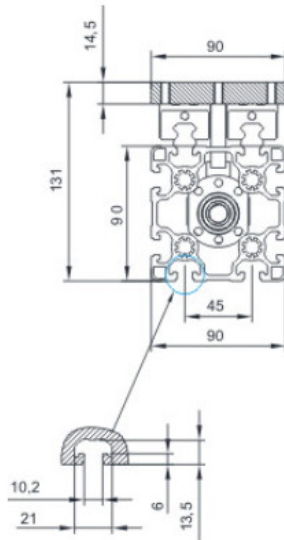


| Stock Code | Stock Name | Plate Length | Ball Screw Brand | Ball Screw | Linear Rail Brand | Linear Rail | Maximum Speed |
|------------------------|-------------------|--------------|------------------|------------|-------------------|-------------|---------------|
| 5.02.06.090090.01.0200 | 90x90 Spot Module | 120 mm | DKM | 16x05 | DMS | GHR 15 | 0,12 mt/sn |
| 5.02.06.090090.01.0201 | 90x90 Spot Module | 120 mm | Gten | 16x05 | THK | HSV 20 | 0,12 mt/sn |

Body ; 90x90 Light Profile (Aluminium 6063) T5
Positioning Accuracy ; 0,01 mm



| | | | |
|--------------------------------------|-------|------|------|
| ■ | F_x | (N) | 975 |
| ■ | F_y | (N) | 878 |
| ■ | F_z | (N) | 1157 |
| ■ | M_x | (Nm) | 140 |
| ■ | M_y | (Nm) | 80 |
| ■ | M_z | (Nm) | 95 |