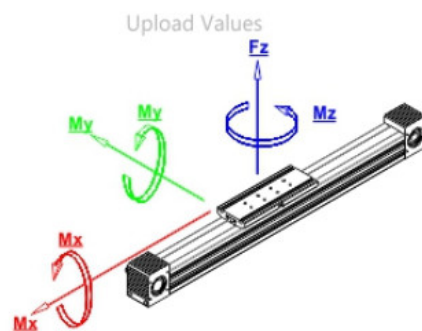
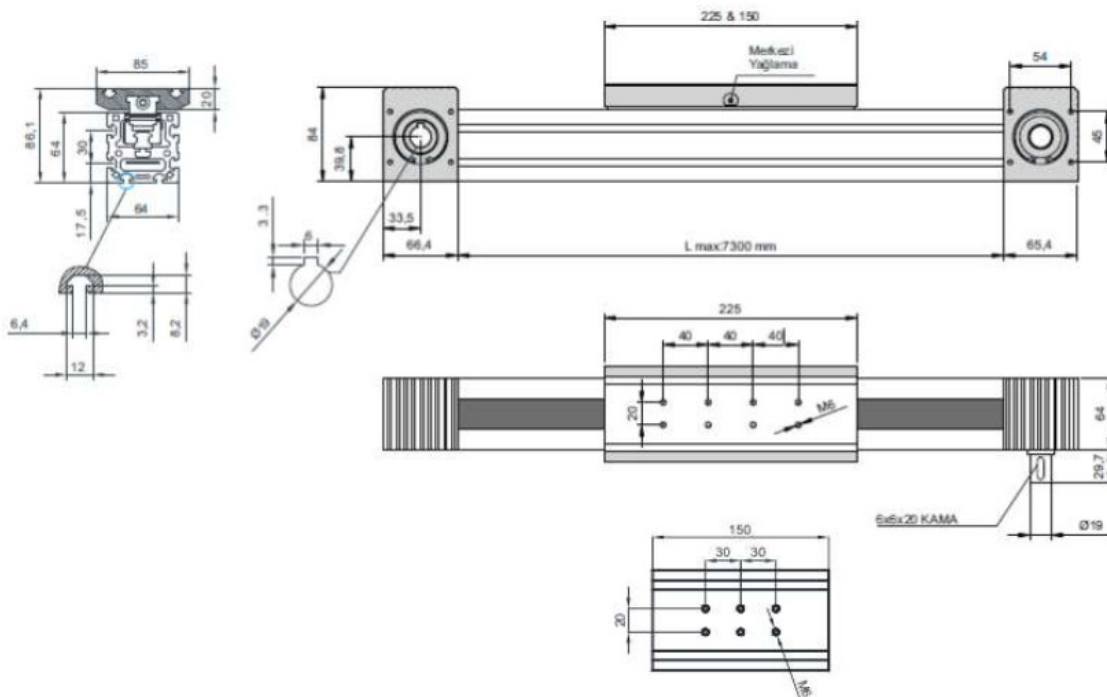


Stock Code	Stock Name	Plate Length	Timing-Belt	Linear Rail Brand	Linear Rail	Maximum Speed
5.03.01.064064.01.01	64x64 Linear Timing Belt Compact Module	150 mm	5M 30	DMS	GHR 15	5 mt/sn
5.03.01.064064.01.	64x64 Linear Timing Belt Compact Module	225 mm	5M 30	DMS	GHR 15	5 mt/sn
5.03.01.064064.01.0501	64x64 Linear Timing Belt Compact Module	150 mm	5M 30	Gten	ASR 15	5 mt/sn
5.03.01.064064.01.0500	64x64 Linear Timing Belt Compact Module	225 mm	5M 30	Gten	ASR 15	5 mt/sn

Body ; 64x64 Profile (Aluminium 6063) T5
Movement Distance Per Tour ; 130 mm
Timing Pulley ; 5M-F30 Z=26
Belt Tensile Force ; 2000 N
Timing Belt Pitch ; 5 mm
Positioning Accuracy ; 0,1 mm



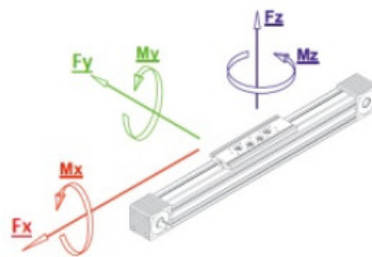
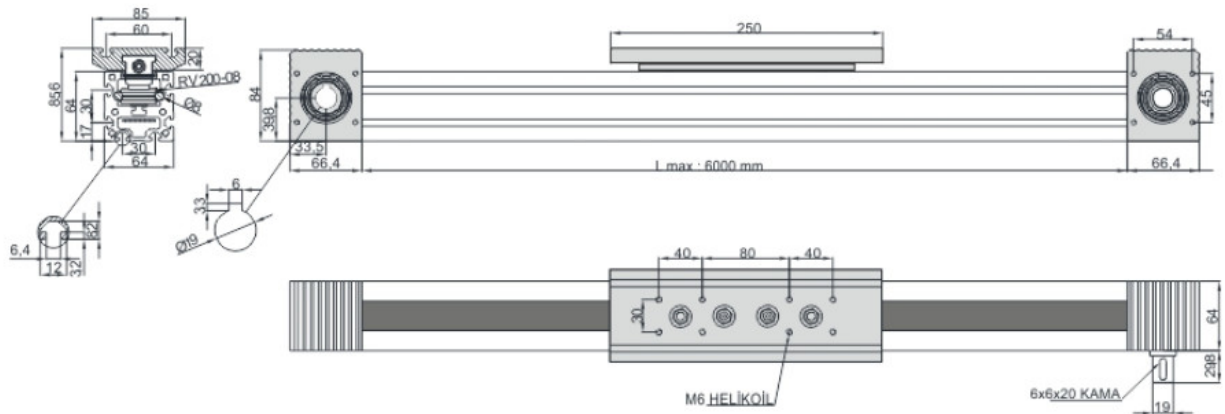
Load		Dynamic
■ Fx	(N)	2200
■ Fy	(N)	2460
■ Fz	(N)	2000
Moment		
■ Mx	(Nm)	385
■ My	(Nm)	300
■ Mz	(Nm)	540

Note: 2 Rated by car.



Stock Code	Stock Name	Plate Length	Timing-Belt	Induction Shaft	Maximum Speed
5.3.03.064064.1.02.4.0500	64x64 Roller Timing Belt Compact Module	250 mm	5M 30	Ø8 CF53 h7	8 mt/sn

Body ; 64x64 Profile (Aluminium 6063) T5
Movement Distance Per Tour ; 130 mm
Timing Pulley ; 5M-F30 Z=26
Belt Tensile Force ; 2000 N
Timing Belt Pitch ; 5 mm
Positioning Accuracy ; 0,1 mm



■ F_x	(N)	/
■ F_y	(N)	1430
■ F_z	(N)	1850
Moment		
■ M_x	(Nm)	55
■ M_y	(Nm)	142
■ M_z	(Nm)	325