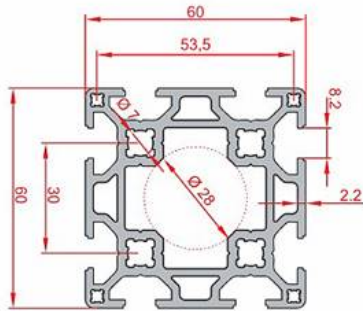


60X60 SIGMA PROFILE WITH DOUBLE SLOT



General Specifications

Areas of use include proslotion lines and main body formations of medium-load group constructions.

Stock Code	Stock Name	External Dimensions	Material	L(mm)	Ix	Iy	Wx	Wy	Area	Mass
1.1.08.060060.02	60x60 Sigma Profile with Double Slot	60x60	6063	6000	41 cm ⁴	41 cm ⁴	13,6 cm ³	13,6 cm ³	11,06 cm ²	3,05 Kg/m