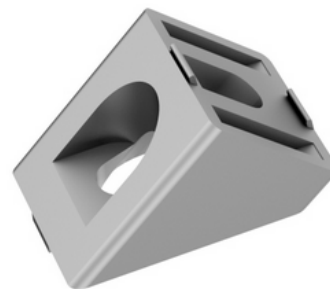
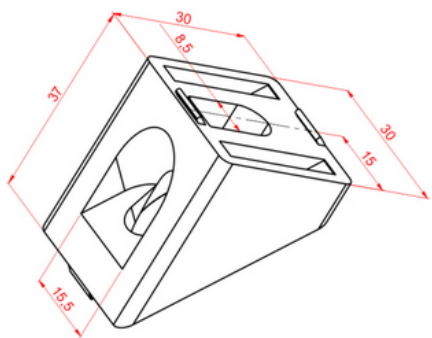
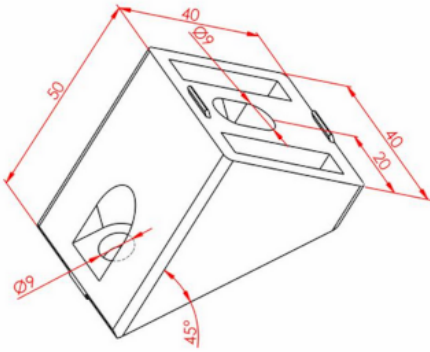


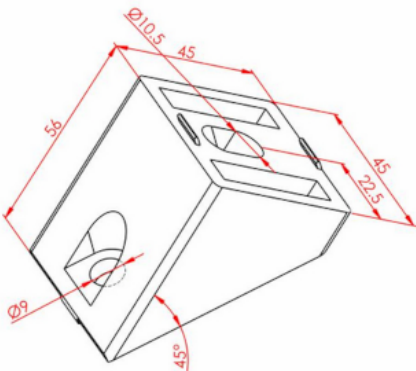
**30X30 45° GRADED CORNER BRACKET**

Stock Code	Stock Name	Material	Weight (gr)
2.2.001.08.3030.06	40x40 45° Graded Corner Bracket	Aluminium	31

**40X40 45° GRADED CORNER BRACKET**

**General Specifications**

Enables 45-degree connections in assembly applications without need for angular cut.  
Can be externally connected to profile slots.

Stock Code	Stock Name	Material	Weight (gr)
2.2.006.4040.08	40x40 45° Graded Corner Bracket	Aluminium	86

**45X45 45° GRADED CORNER BRACKET**

**General Specifications**

Enables 45-degree connections in assembly applications without need for angular cut.  
Can be externally connected to profile slots.

Stock Code	Stock Name	Material	Weight (gr)
2.2.006.4545.10	45x45 45° Graded Corner Bracket	Aluminium	98