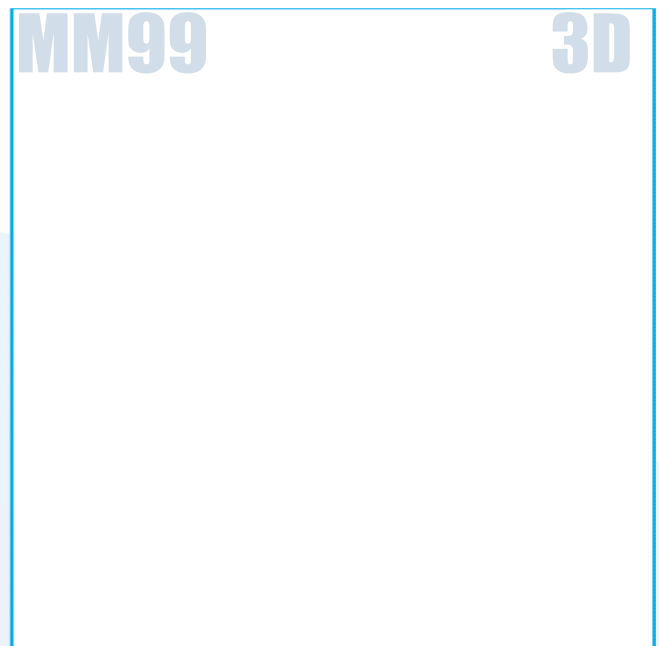
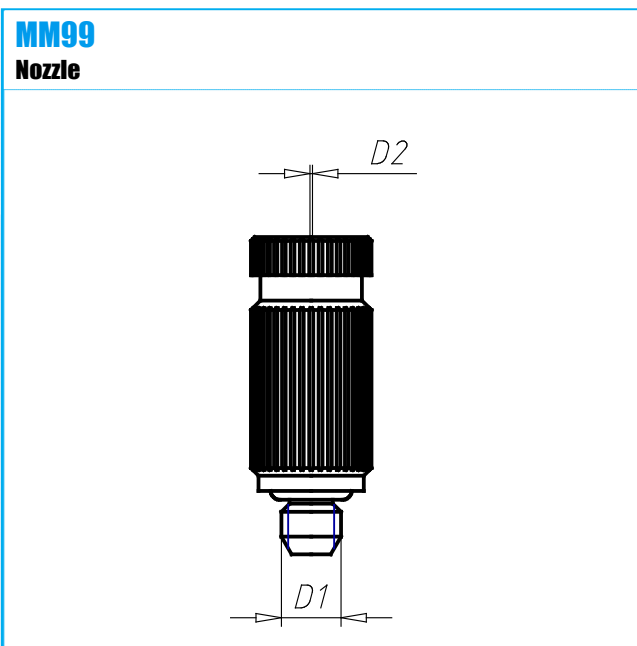


<b>Material:</b>	Brass Nickel Plated	
<b>Working Temperature:</b>	-20 ÷ 70	C°
<b>Working Temperature:</b>	-4 ÷ 160	F°
<b>Working Pressure (max):</b>	80	bar
<b>Working Pressure (max):</b>	1160	psi
<b>Vacuum:</b>		kPa
<b>Vacuum:</b>		Hg
<b>Conformity:</b>	RoHS	

**Conformity:**  
**Conformity:**  
**Conformity:**  
**Conformity:**  
**Application** Misting circuits



CODE	TYPE	D1	D2	D2IN	G	G0Z
MM890001	MM99 10-24 ø0,15	10-24	0.15	.006	9.9	.349
MM890002	MM99 10-24 ø0,20	10-24	0.20	.008	9.9	.349
MM890003	MM99 10-24 ø0,30	10-24	0.30	.012	9.9	.349
MM890004	MM99 10-24 ø0,40	10-24	0.40	.016	9.9	.349