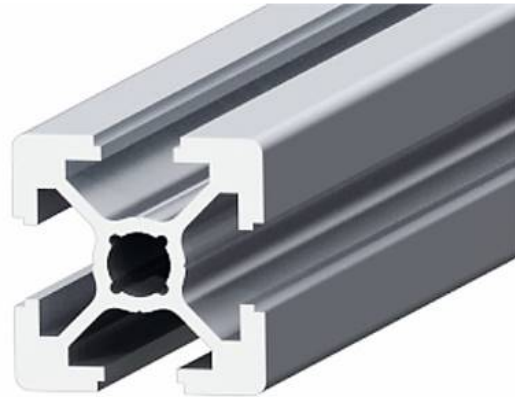
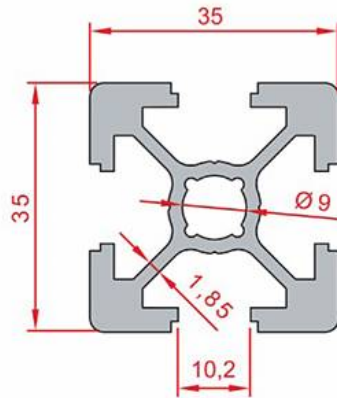


35X35 HEAVY SIGMA PROFILE



General Specifications

Void-free sectional design enables use in middle-loading constructions and assembly line desks.
After assembly, the unused slot and head are covered to ensure stylish view and hygiene.

Stock Code	Stock Name	External Dimensions	Material	L(mm)	Ix	Iy	Wx	Wy	Area	Mass
1.1.10.035035.01	35x35 Heavy Sigma Profile	35x35	6063 T5	6000	6,7 cm ⁴	6,7 cm ⁴	3,8 cm ³	3,8 cm ³	4,92 cm ²	1,29 Kg/m