

CERTIFIED HEADER TANKS

According to 2009/105/EC and 97/23/EC PED



A1	GLOBAL IMMERSION	INTEGRAL Series	2009/105/EC - 97/23/EC PED
A2	THREADED STUB PIPE	TF Series	2009/105/EC - 97/23/EC PED
A3	THREADED STUB PIPE FOR STRAIGHT TROUGHT VALVE	TL Series	2009/105/EC - 97/23/EC PED
A4	PLAIN STUB PIPE	TD Series	2009/105/EC - 97/23/EC PED
A5	STAINLESS STEEL	XTF Series	97/23/EC PED
A6	GLOBAL IMMERSION	ALUTANK Series	97/23/EC PED
A7	AIR CANNON	PACK Series	2009/105/EC - 97/23/EC PED
A8	BLOW TUBES	TS Series	

HEADER TANKS

According to 2009/105/EC and PED 97/23/EC

HOW TO ORDER

example **INTEGRAL 6 P 25 02450 N10 P150 B G1**

TANK MODEL:

GLOBAL IMMERSION = **INTEGRAL**
 THREADED STUB PIPE = **TF - TL**
 PLAIN STUB PIPE = **TD**
 ALUMINIUM = **ALUTANK**

TANK DIAMETER

4" = 4
 5" = 5
 6" = 6
 8" = 8
 10" = 10
 12" = 12

INTEGRAL PILOT = P
REMOTE PILOT = M

VALVE DIAMETER

1/2" = 10
 3/4" = 20
 1" = 25
 1"1/2 = 30
 1"1/2 = 35
 1"1/2 = 40
 1"1/2 = 45
 2" = 50
 2"1/2 = 65
 3" = 75

POWER SUPPLY

24V/50-60Hz = 02450
 115V/50-60Hz = 11050
 230V/50-60Hz = 22050
 24VDC = 024DC

N: NUMBER OF VALVES

P: PITCH

ROUND ENDS = B
FLAT ENDS = F

BLOW TUBE

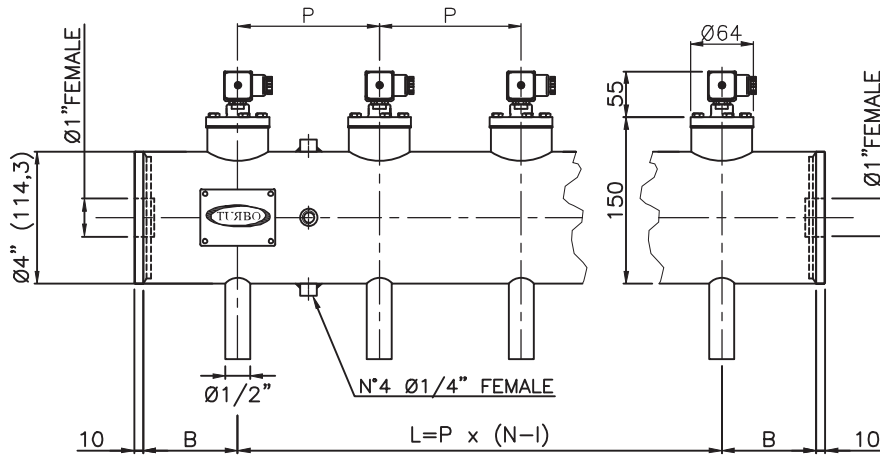
SHORT PLAIN = G1
 LONG PLAIN = G2
 LONG THREADED = G3
 SHORT THREADED = G4

Integral 6 P 25 02450 N10 P 150 B G1 identifies a global immersion tank (**Integral**) having 6" (**6**) diameter, integral electrical pilot (**P**), 1" (**25**) valves with 24V 50Hz (**02450**) coil voltage, equipped with no. 10 valves (**N10**) whose pitch is 150 mm (**P150**).

Tank ends are round (**B**) and outlet stub pipes are plain (**G1**).

INTEGRAL Series dn 4" with 1/2" valves

4"



P Min. = 102 / B Min. = 55

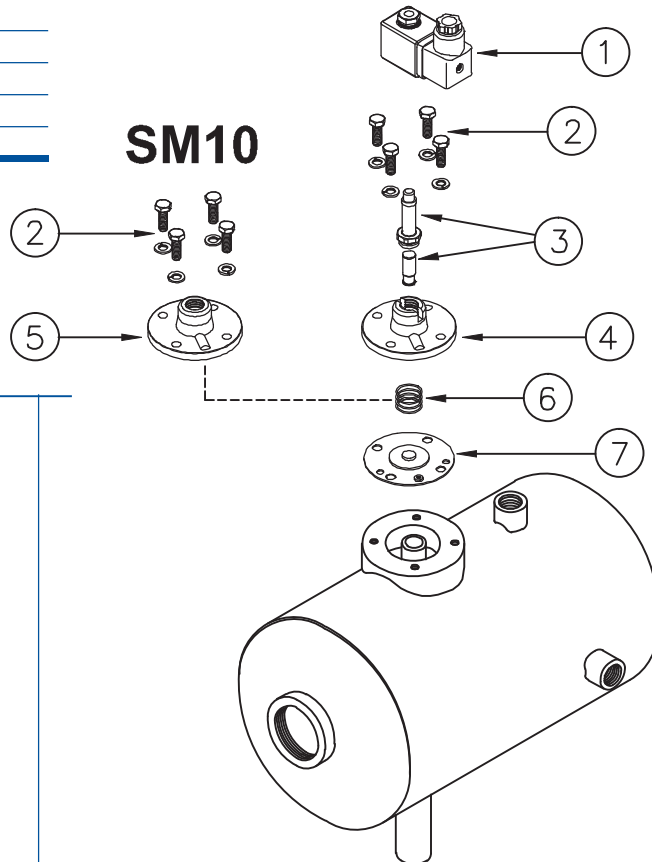
For special implementations of P min and B min, please contact our technical department

DESCRIPTION

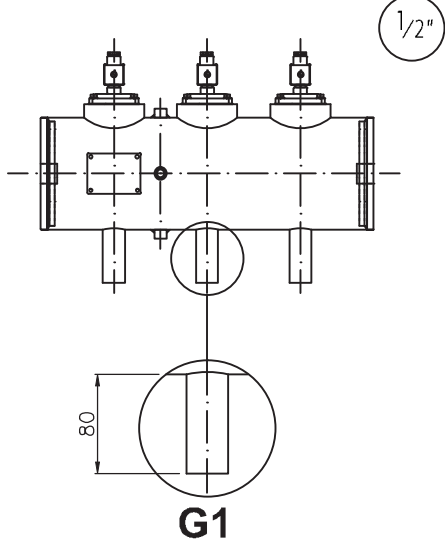
VALVE SM10/SP10

1	Coil + Din connector	BH10...V/50-60Hz
2	Screws + Washers	VTE6x18+TROND6GROWER
3	Pole assembly	GPC10
4	Cover direct drive	TCOP10
5	Remote operated cover	TCOP10FM
6	Spring	TMOL10G
7	Diaphragm	M10

SP10

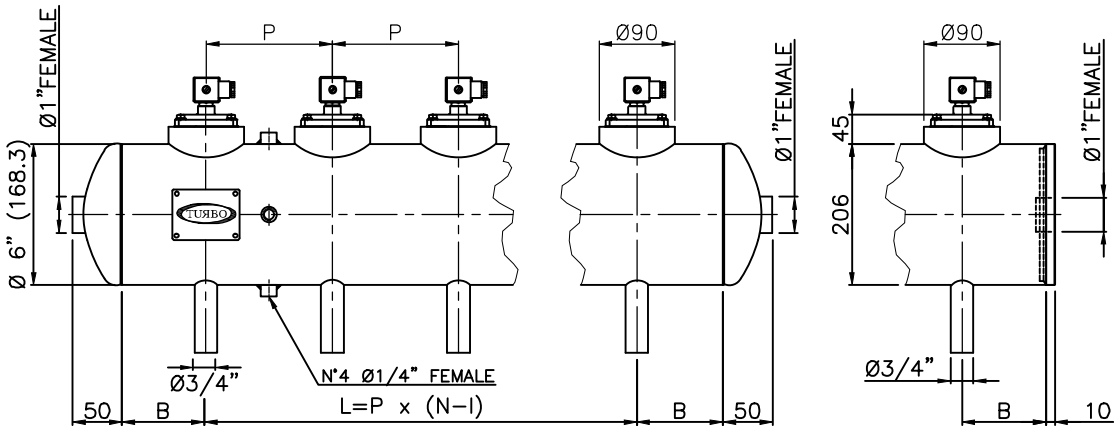


SHORT PLAIN TUBE = G1



INTEGRAL Series dn 6" with 3/4" valves

6"



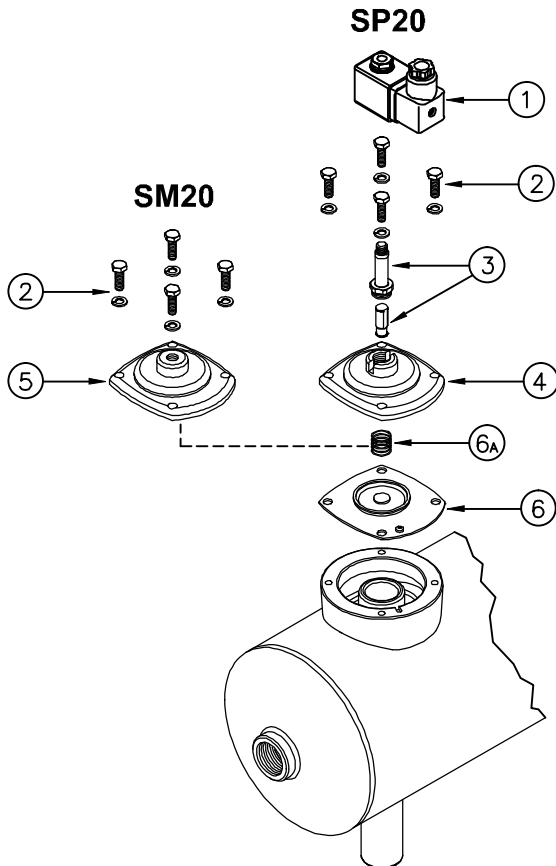
P Min. = 120 / B Min. = 90

For special implementations of P min and B min, please contact our technical department

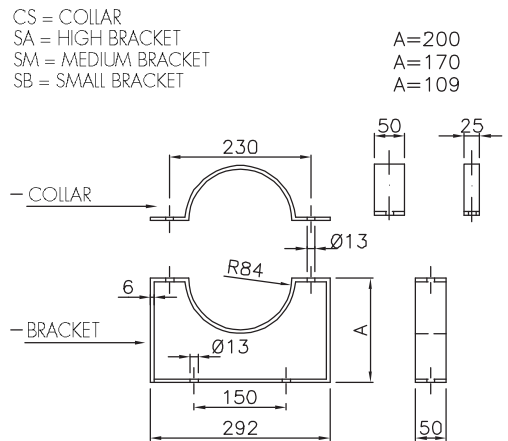
DESCRIPTION

VALVE SM20/SP20

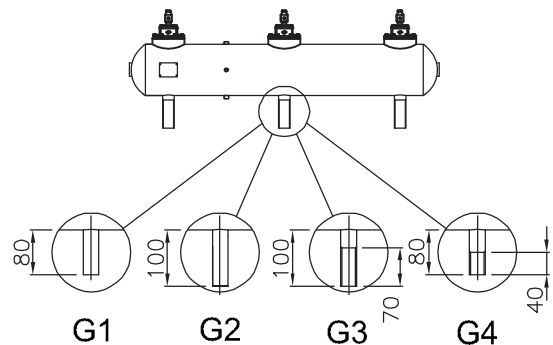
1	Coil + Din connector	BH10...V/50-60Hz
2	Screws + Washers	TE6x18+TROND6GROWER
3	Pole assembly	GPC10
4	Cover direct drive	TCOP25
5	Remote operated cover	TCOP25FM
6	Diaphragm	M25
6a	Spring	TMOL10G



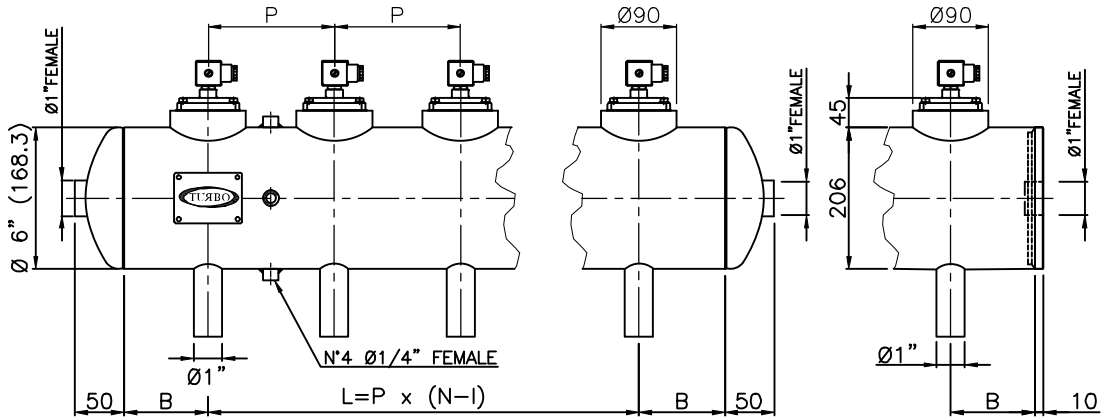
BRACKETS



SHORT PLAIN TUBE = G1
 LONG PLAIN TUBE = G2
 THREADED LONG TUBE = G3
 THREADED SHORT TUBE = G4



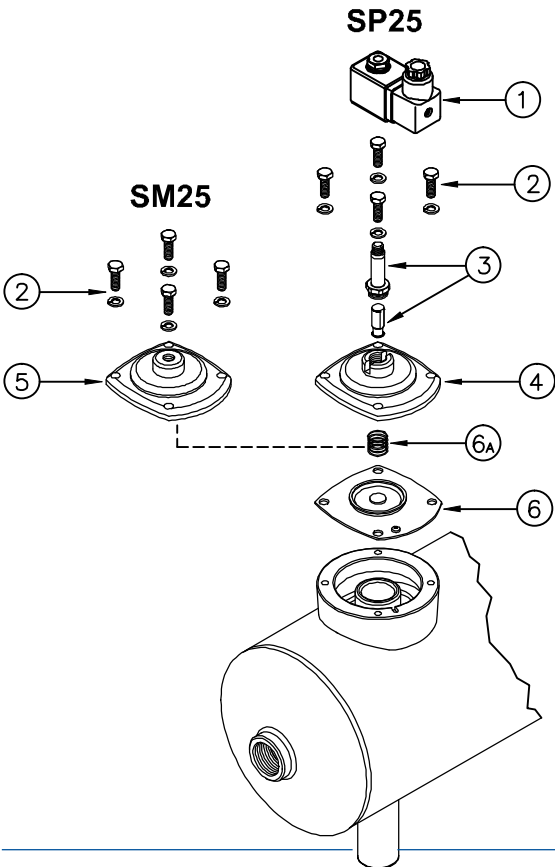
6" INTEGRAL Series dn 6" with 1" valves



P Min. = 120 / B Min. = 90

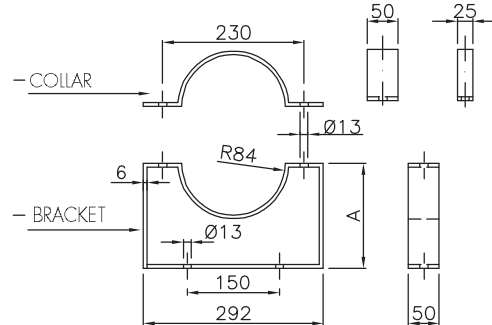
For special implementations of P min and B min, please contact our technical department

DESCRIPTION	VALVE SM25/SP25
1 Coil + Din connector	BH10...V/50-60Hz
2 Screws + Washers	VTE6x18+TROND6GROWER
3 Pole assembly	GPC10
4 Cover direct drive	TCOP25
5 Remote operated cover	TCOP25FM
6 Diaphragm	M25
6a Spring	TMOL10G

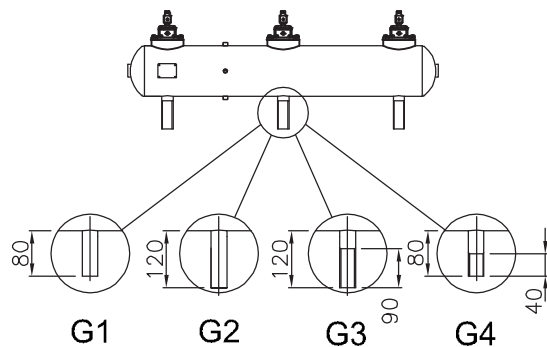
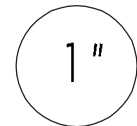


BRACKETS

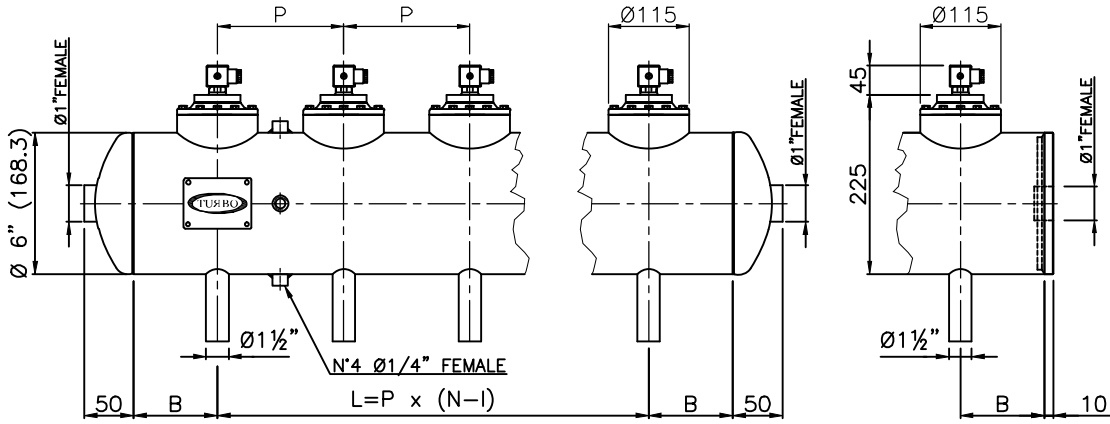
CS = COLLAR
 SA = HIGH BRACKET A=200
 SM = MEDIUM BRACKET A=170
 SB = SMALL BRACKET A=109



SHORT PLAIN TUBE = G1
 LONG PLAIN TUBE = G2
 THREADED LONG TUBE = G3
 THREADED SHORT TUBE = G4



INTEGRAL Series dn 6" with 1 1/2" valves



P Min. = 145 / B Min. = 100

For special implementations of P min and B min, please contact our technical department

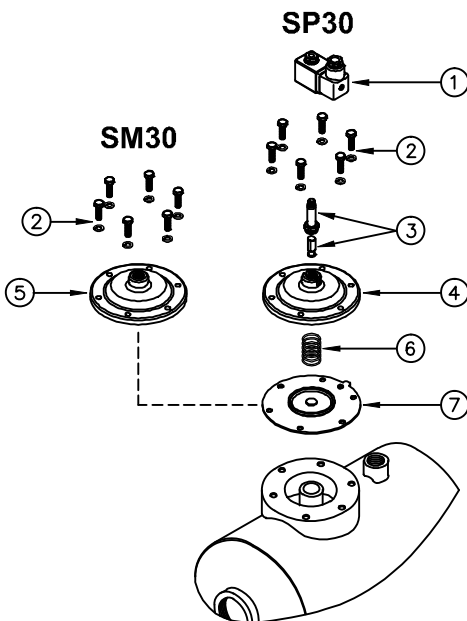
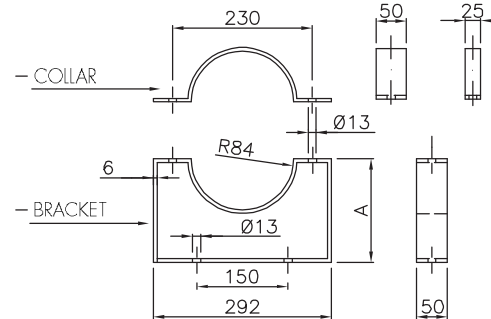
DESCRIPTION

VALVE SM30/SP30

1	Coil + Din connector	BH10...V/50-60Hz
2	Screws + Washers	VTE6x20+TROND6GROWER
3	Pole assembly	GPC10
4	Cover direct drive	TCOP30
5	Remote operated cover	TCOP30FM
6	Spring	TMOL25GHS
7	Diaphragm	M30

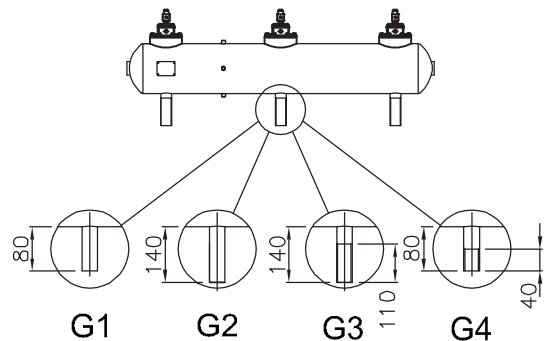
BRACKETS

CS = COLLAR
 SA = HIGH BRACKET A=200
 SM = MEDIUM BRACKET A=170
 SB = SMALL BRACKET A=109

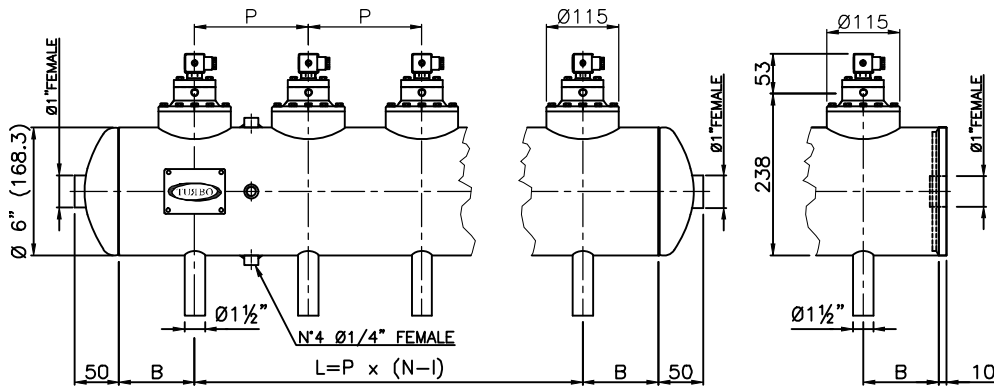


SHORT PLAIN TUBE = G1
 LONG PLAIN TUBE = G2
 THREADED LONG TUBE = G3
 THREADED SHORT TUBE = G4

1 1/2"



6" **INTEGRAL Series dn 6" with 1 1/2" valves**



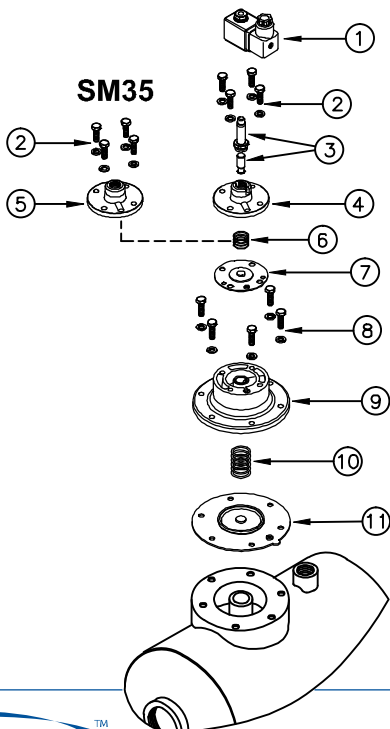
P Min. = 145 / B Min. = 100

For special implementations of P min and B min, please contact our technical department

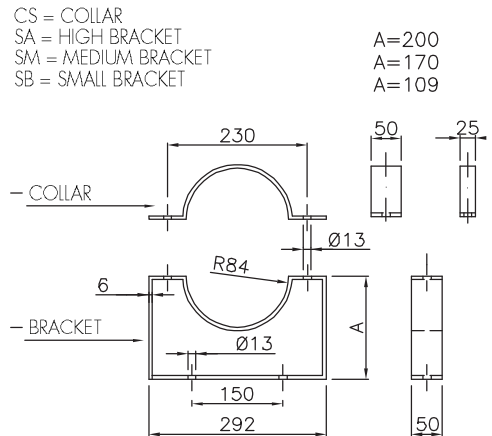
DESCRIPTION VALVE SM35/SP35

1	Coil + Din connector	BH10...V/50-60Hz
2	Screws + Washers	VTE6x18+TROND6GROWER
3	Pole assembly	GPC10
4	Cover direct drive	TCOP10
5	Remote operated cover	TCOP10FM
6	Spring	TMOL10G
7	Diaphragm	M10
8	Screws + Washers	VTE6x20+TROND6GROWER
9	Cover	TCOP35N
10	Spring	TMOL25GHS
11	Diaphragm	M35

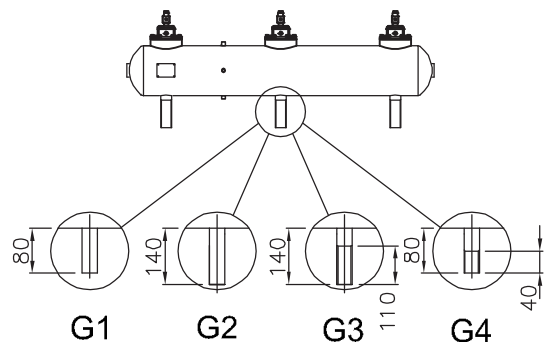
SP35



BRACKETS

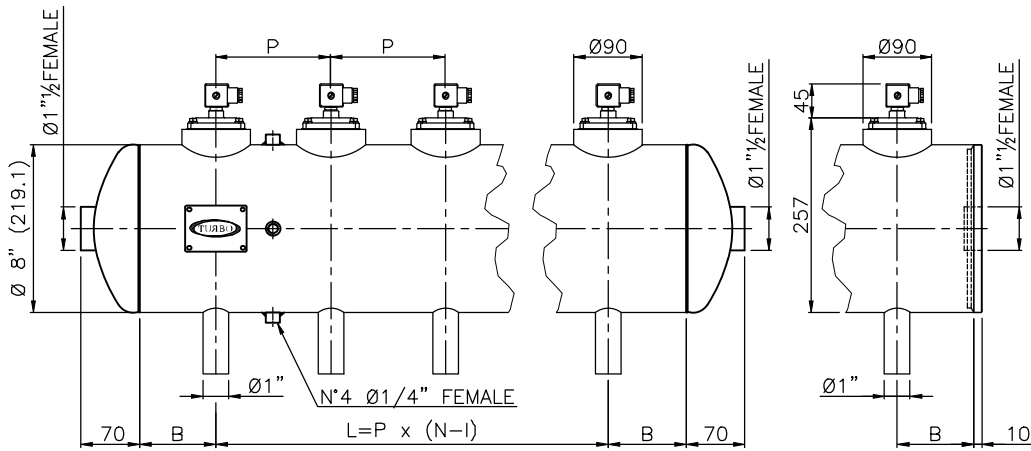


SHORT PLAIN TUBE = G1
 LONG PLAIN TUBE = G2
 THREADED LONG TUBE = G3
 THREADED SHORT TUBE = G4



INTEGRAL Series dn 8" with 1" valves

8"



P Min. = 120 / B Min. = 100

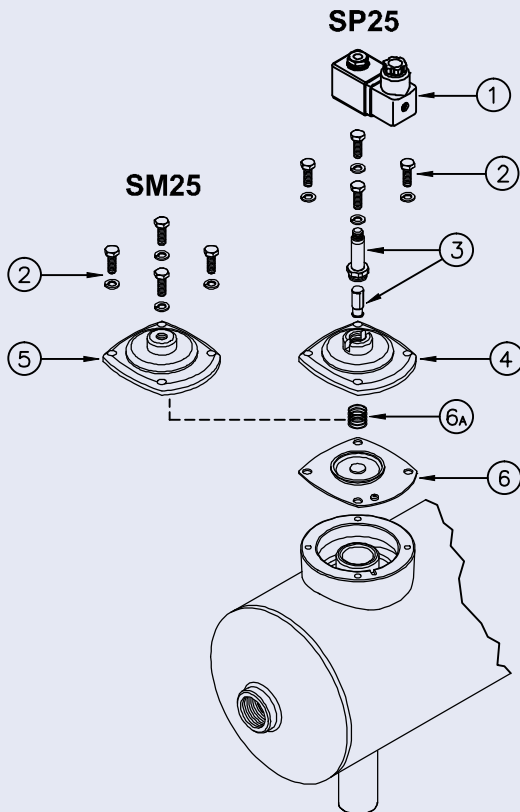
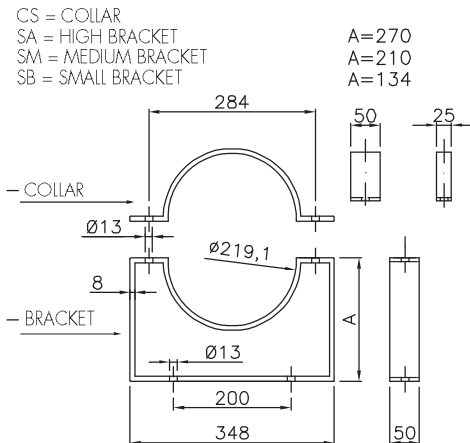
For special implementations of P min and B min, please contact our technical department

DESCRIPTION

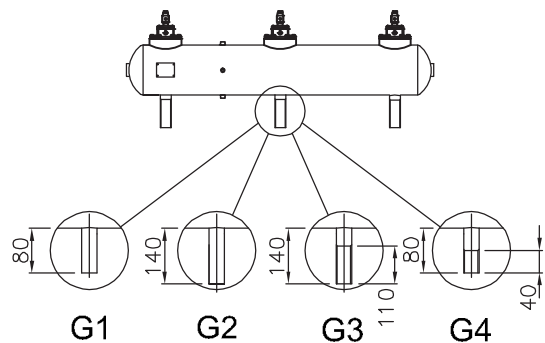
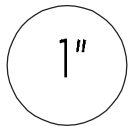
VALVE SM25/SP25

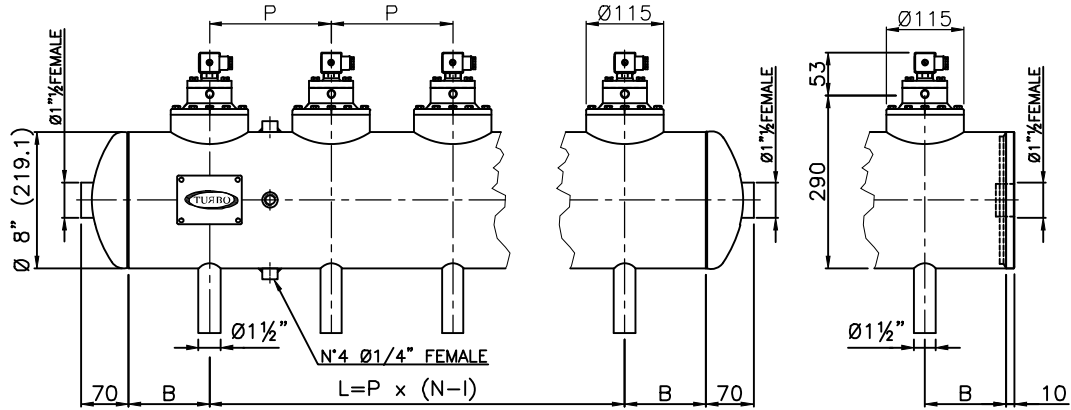
1	Coil + Din connector	BH10...V/50-60Hz
2	Screws + Washers	VTE6x18+TROND6GROWER
3	Pole assembly	GPC10
4	Cover direct drive	TCOP25
5	Remote operated cover	TCOP25FM
6	Diaphragm	M25
6a	Spring	TMOL10G

BRACKETS



- SHORT PLAIN TUBE = G1
- LONG PLAIN TUBE = G2
- THREADED LONG TUBE = G3
- THREADED SHORT TUBE = G4



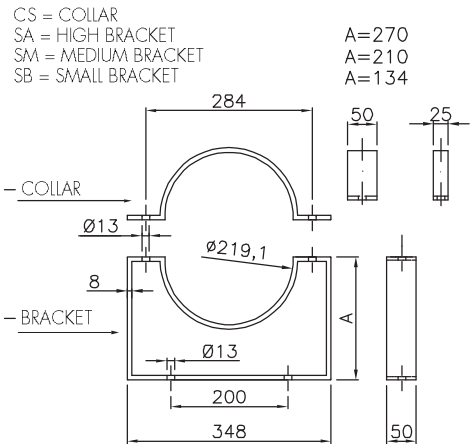


P Min. = 145 / B Min. = 100

For special implementations of P min and B min, please contact our technical department

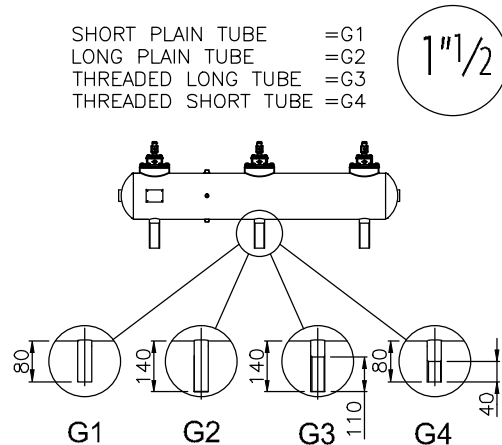
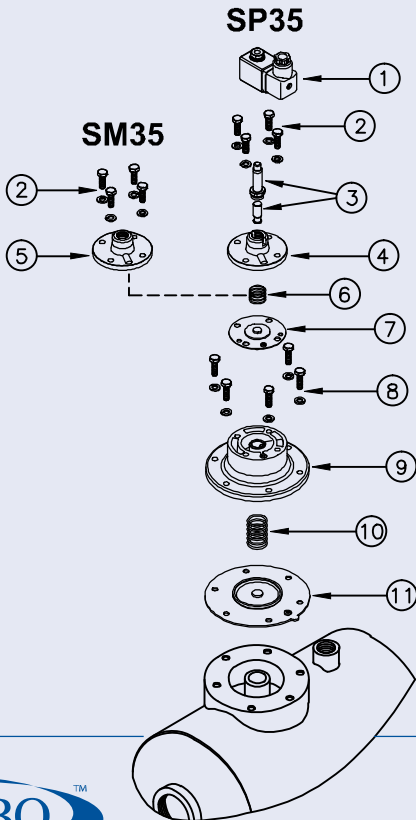
DESCRIPTION	VALVE SM35/ SP35
1 Coil + Din connector	BH10...V/50-60Hz
2 Screws + Washers	VTE6x18+TROND6GROWER
3 Pole assembly	GPC10
4 Cover direct drive	TCOP10
5 Cover remote operated	TCOP10FM
6 Spring	TMOL10G
7 Diaphragm	M10
8 Screws + Washers	VTE6x20+TROND6GROWER
9 Cover	TCOP35N
10 Spring	TMOL25GHS
11 Diaphragm	M35

BRACKETS



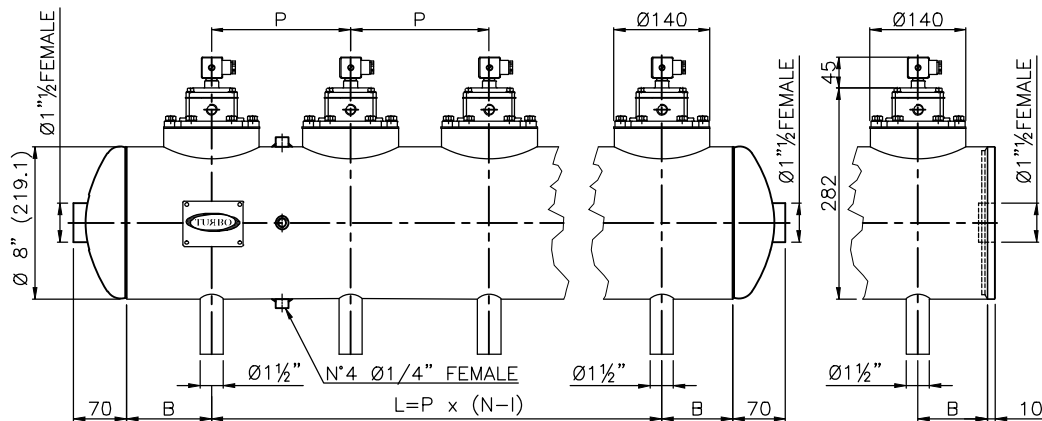
CS = COLLAR
 SA = HIGH BRACKET
 SM = MEDIUM BRACKET
 SB = SMALL BRACKET

A=270
 A=210
 A=134



INTEGRAL Series dn 8" with 1 1/2" valves

8"



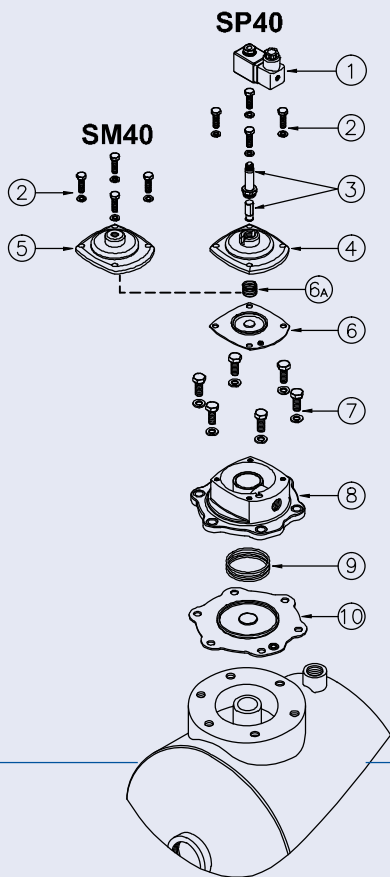
P Min. = 160 / B Min. = 100

For special implementations of P min and B min, please contact our technical department

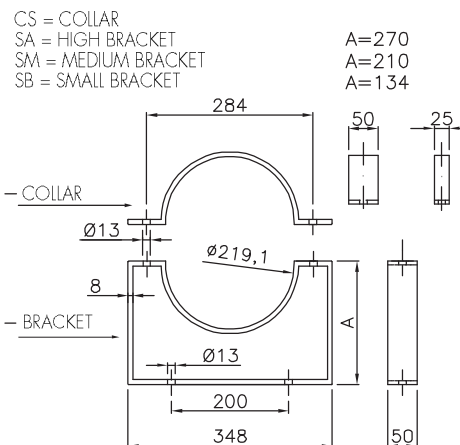
DESCRIPTION

VALVE SM40/SP40

1	Coil + Din connector	BH10...V/50-60Hz
2	Screws + Washers	VTE6x20+TROND6GROWER
3	Pole assembly	GPC10
4	Cover direct drive	TCOP25
5	Remote operated cover	TCOP25FM
6	Diaphragm	M25
6a	Spring	TMOL10G
7	Screws + Washers	VTE8x20+TROND8GROWER
8	Cover	TCOP40N
9	Spring	TMOL40
10	Diaphragm	M40

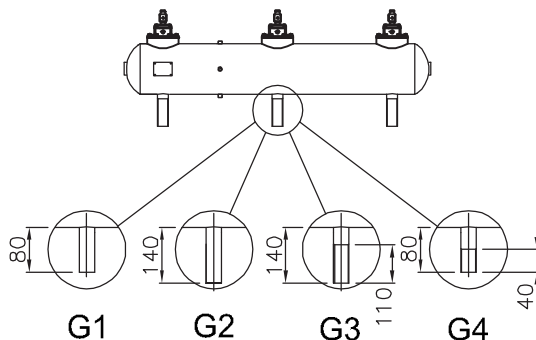


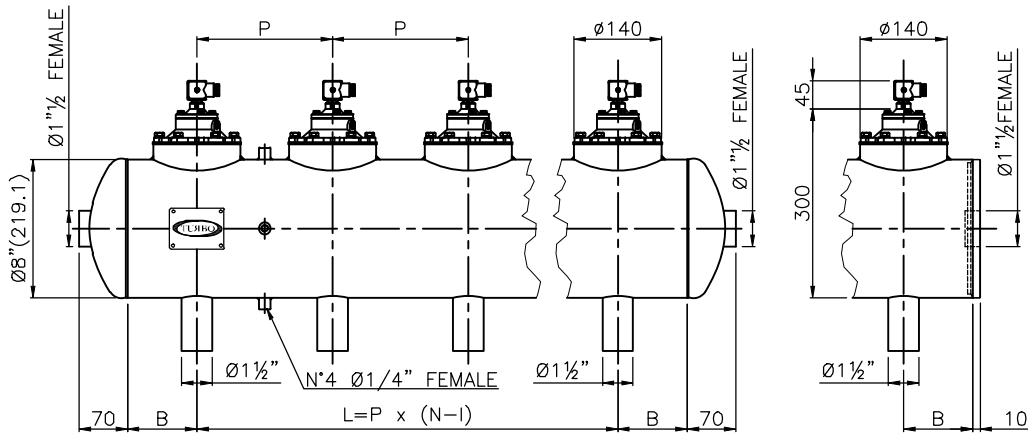
BRACKETS



SHORT PLAIN TUBE = G1
 LONG PLAIN TUBE = G2
 THREADED LONG TUBE = G3
 THREADED SHORT TUBE = G4

1 1/2"



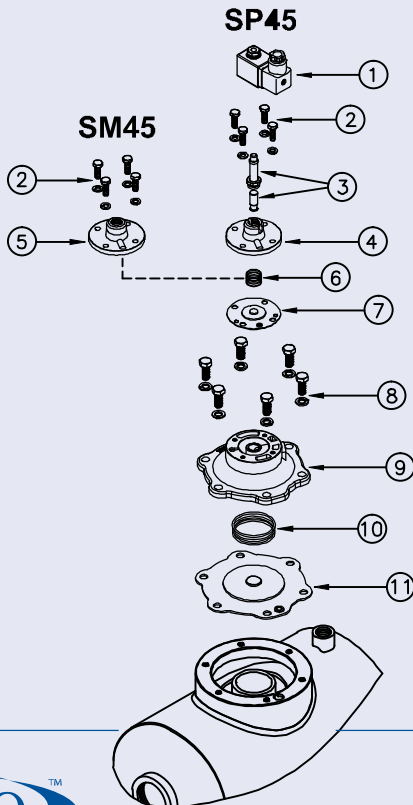
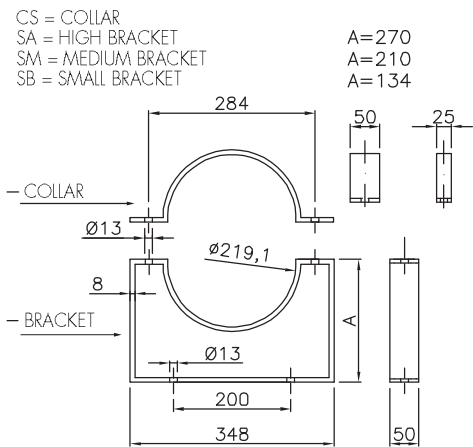


P Min. = 160 / B Min. = 100

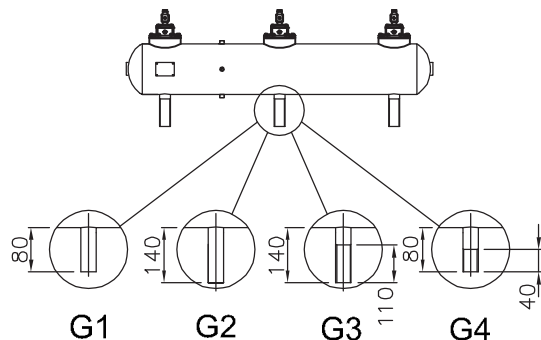
For special implementations of P min and B min, please contact our technical department

DESCRIPTION	VALVE SM45/ SP45
1 Coil + Din connector	BH10...V/50-60Hz
2 Screws + Washers	VTE6x18+TROND6GROWER
3 Pole assembly	GPC10
4 Cover direct drive	TCOP10
5 Cover remote operated	TCOP10FM
6 Spring	TMOL10G
7 Diaphragm	M10
8 Screws + Washers	VTE8x20+TROND8GROWER
9 Cover	TCOP45N
10 Spring	TMOL40
11 Diaphragm	M45

BRACKETS

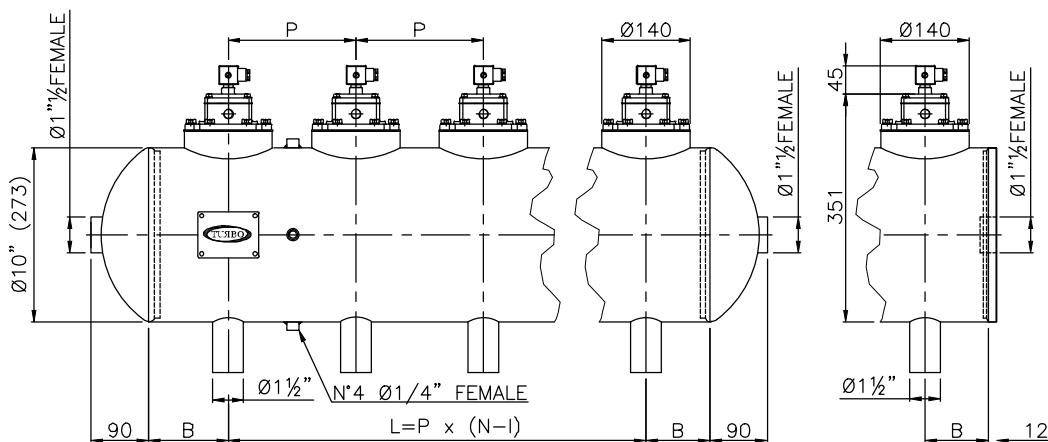


SHORT PLAIN TUBE = G1
 LONG PLAIN TUBE = G2
 THREADED LONG TUBE = G3
 THREADED SHORT TUBE = G4



INTEGRAL Series dn 10" with 1 1/2" valves

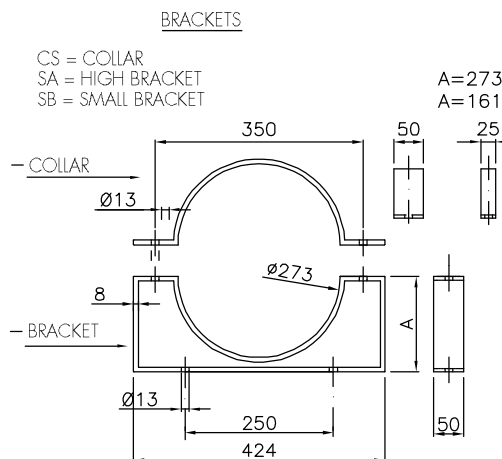
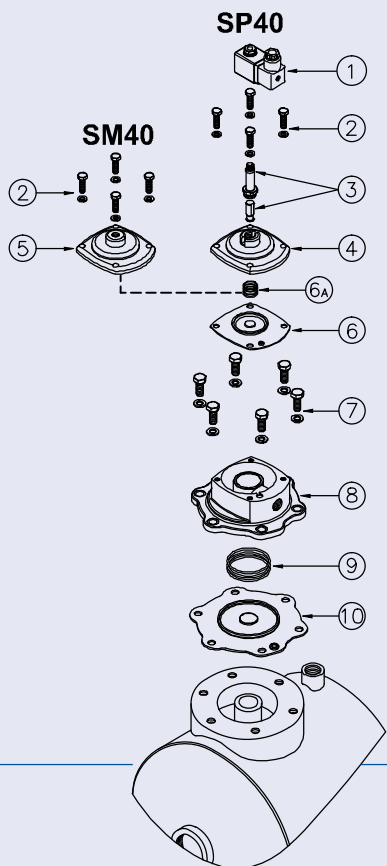
10"



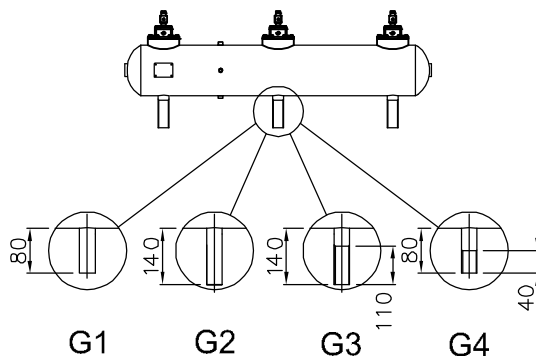
P Min. = 170 / B Min. = 100

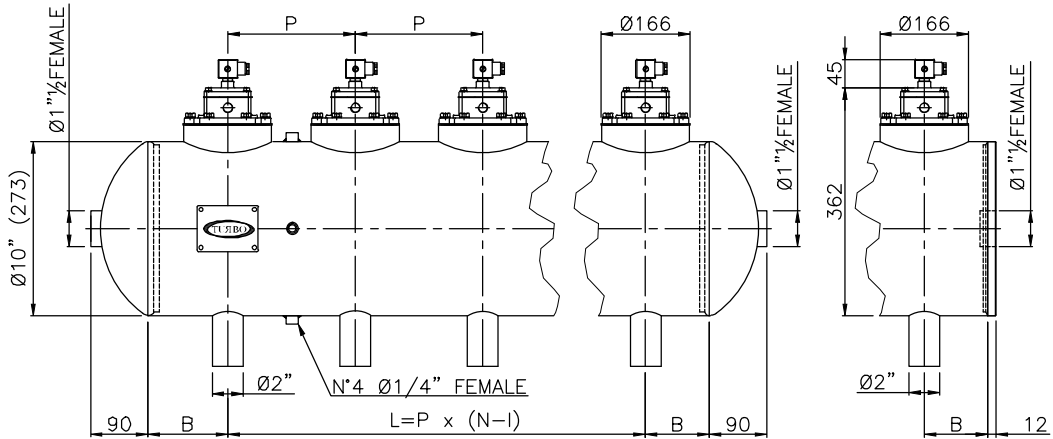
For special implementations of P min and B min, please contact our technical department

DESCRIPTION	VALVE SM40/ SP40
1 Coil + Din connector	BH10...V/50-60Hz
2 Screws + Washers	VTE6x20+TROND6GROWER
3 Pole assembly	GPC10
4 Cover direct drive	TCOP25
5 Remote operated cover	TCOP25FM
6 Diaphragm	M25
6a Spring	TMOL10G
7 Screws + Washers	VTE8x20+TROND8GROWER
8 Cover	TCOP40N
9 Spring	TMOL40
10 Diaphragm	M40



SHORT PLAIN TUBE = G1
 LONG PLAIN TUBE = G2
 THREADED LONG TUBE = G3
 THREADED SHORT TUBE = G4





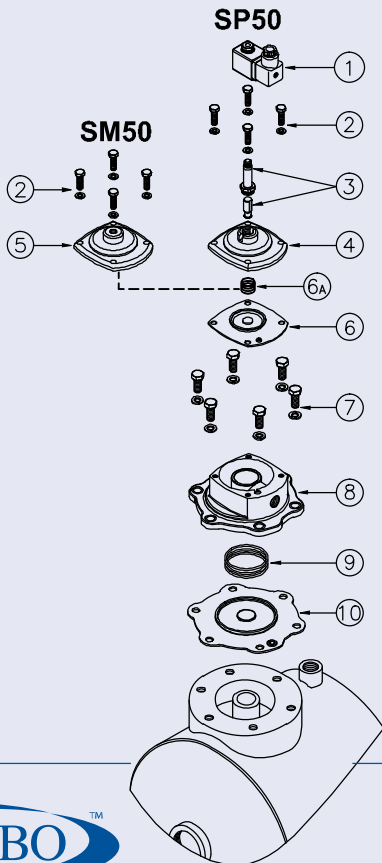
P Min. = 185 / B Min. = 115

For special implementations of P min and B min, please contact our technical department

DESCRIPTION

VALVE SM50/SP50

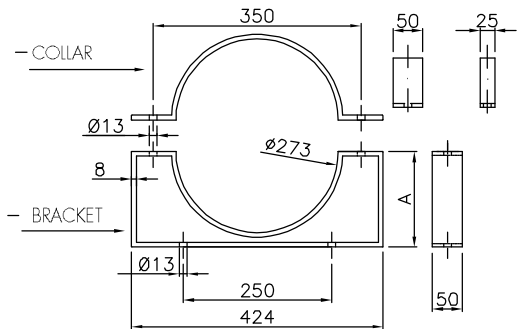
1	Coil + Din connector	BH10...V/50-60Hz
2	Screws + Washers	VTE6x20+TROND6GROWER
3	Pole assembly	GPC10
4	Cover direct drive	TCOP25
5	Remote operated cover	TCOP25FM
6	Diaphragm	M25
6a	Spring	TMOL10G
7	Screws + Washers	VTE10x25+TROND10GROWER
8	Cover	TCOP50G
9	Spring	TMOL40
10	Diaphragm	M50



BRACKETS

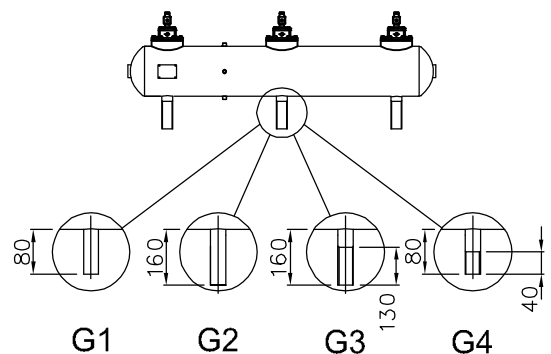
CS = COLLAR
SA = HIGH BRACKET
SB = SMALL BRACKET

A=273
A=161



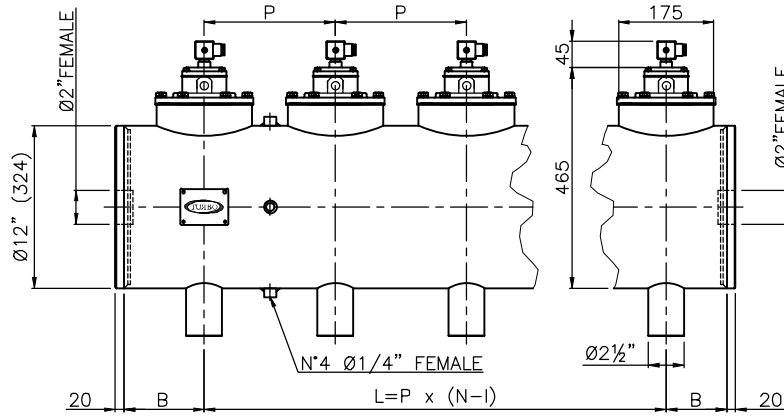
SHORT PLAIN TUBE = G1
LONG PLAIN TUBE = G2
THREADED LONG TUBE = G3
THREADED SHORT TUBE = G4

2"



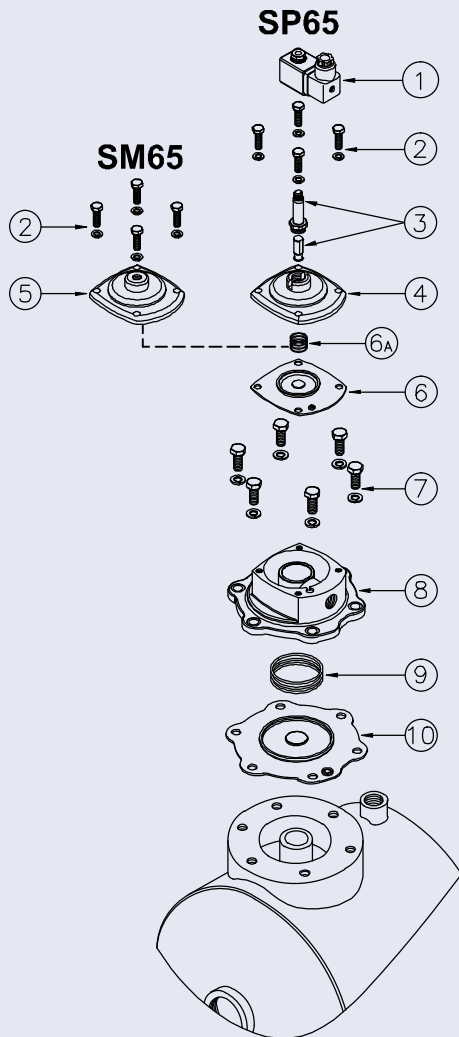
INTEGRAL Series dn 12" with 2"1/2 valves

12"



P Min. = 185 / B Min. = 110

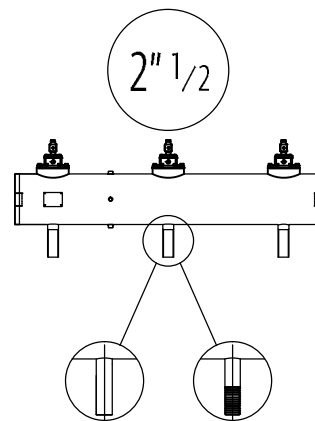
For special implementations of P min and B min, please contact our technical department



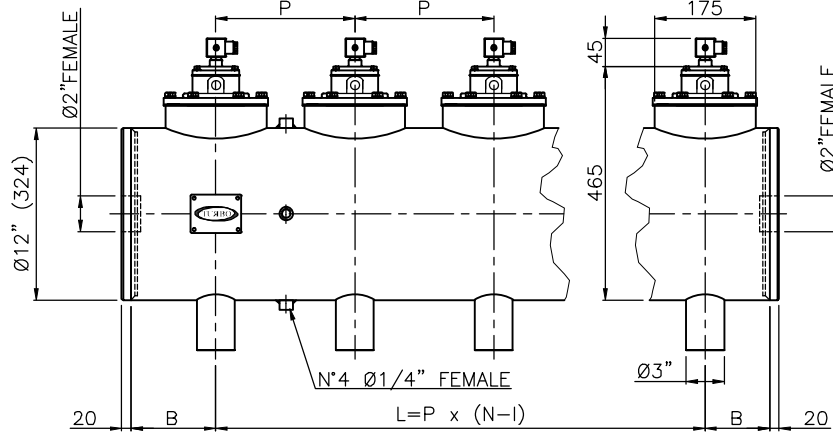
DESCRIPTION

VALVE SM65/ SP65

1	Coil + Din connector	BH10...V/50-60Hz
2	Screws + Washers	VTE6x20+TROND6GROWER
3	Pole assembly	GPC10
4	Cover direct drive	TCOP25
5	Cover remote operated	TCOP25FM
6	Diaphragm	M25
6a	Spring	TMOL10G
7	Screws + Washers	VTE10x25+TROND10GROWER
8	Cover	TCOP65G
9	Spring	TMOL40
10	Diaphragm	M76/SERB

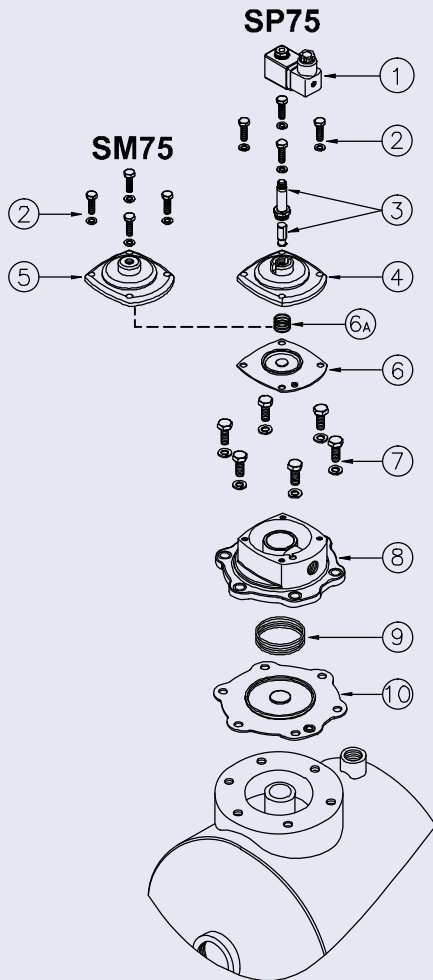


Type and dimension of stubs like request from customer



P Min. = 215 / B Min. = 125

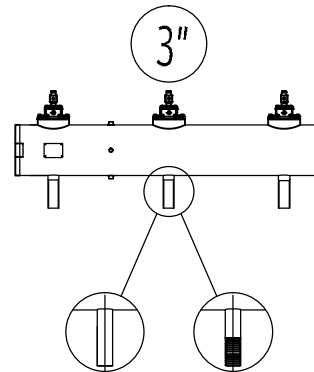
For special implementations of P min and B min, please contact our technical department



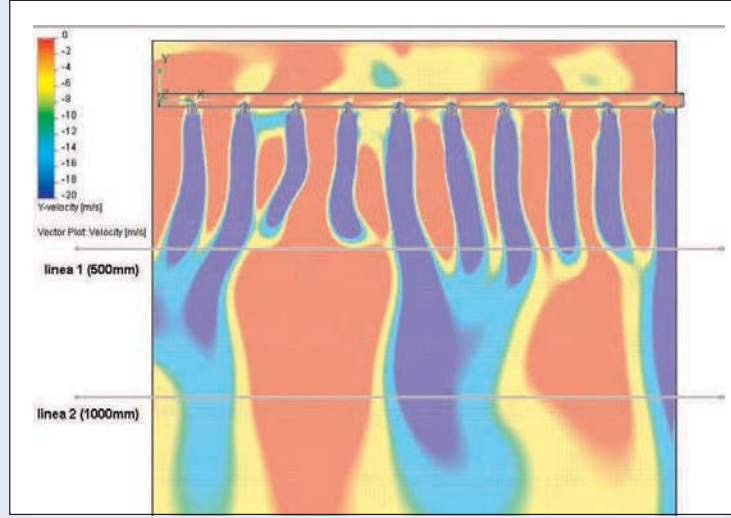
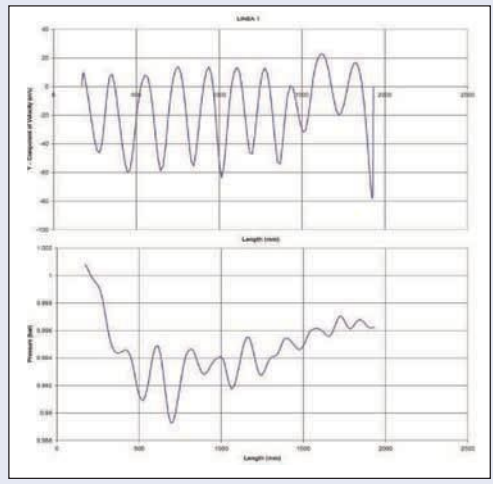
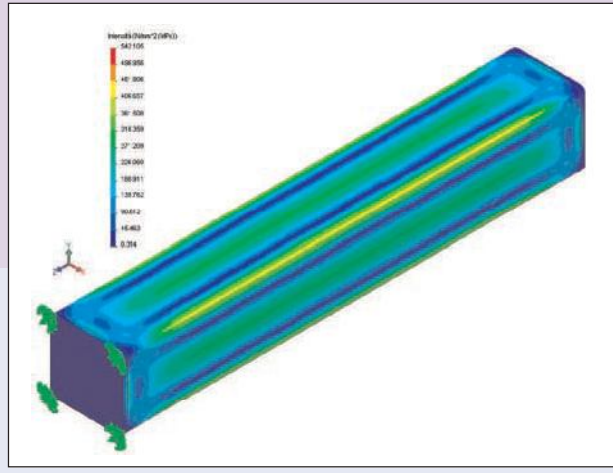
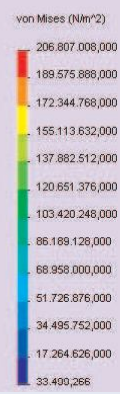
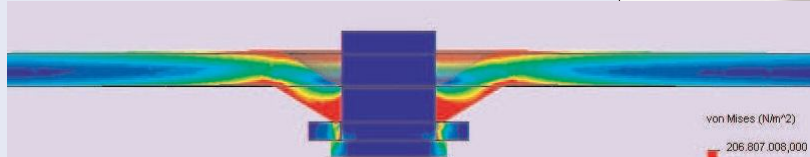
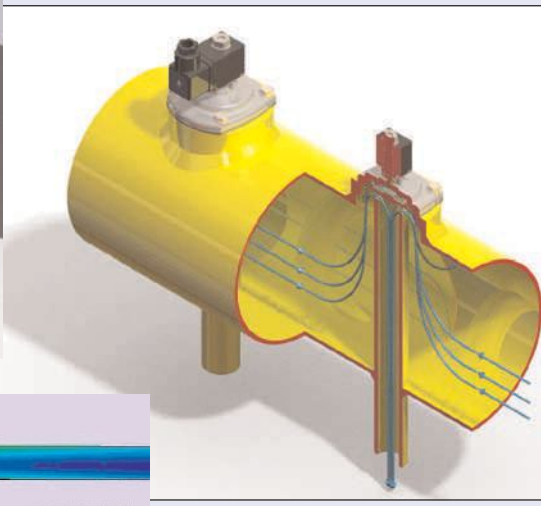
DESCRIPTION

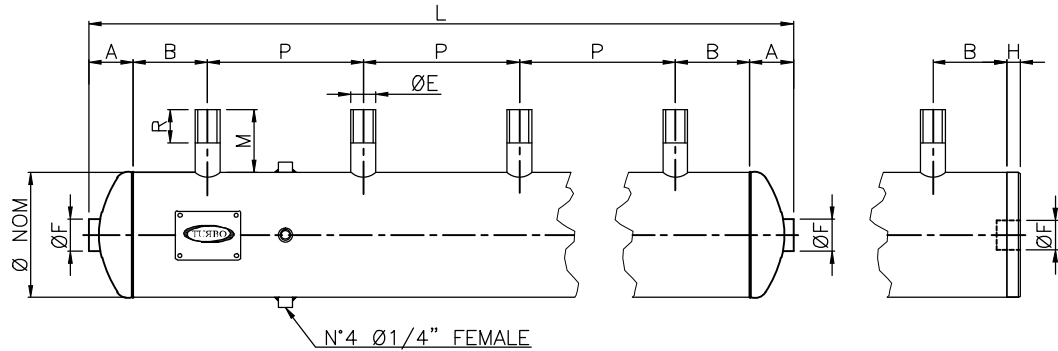
VALVE SM75/SP75

1	Coil + Din connector	BH10...V/50-60Hz
2	Screws + Washers	VTE6x20+TROND6GROWER
3	Pole assembly	GPC10
4	Cover direct drive	TCOP25
5	Remote operated cover	TCOP25FM
6	Diaphragm	M25
6a	Spring	TMOL10G
7	Screws + Washers	VTE10x25+TROND10GROWER
8	Cover	TCOP65G
9	Spring	TMOL40
10	Diaphragm	M76/SERB



Type and dimension of stubs like request from customer

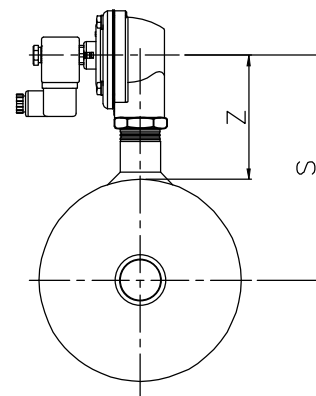
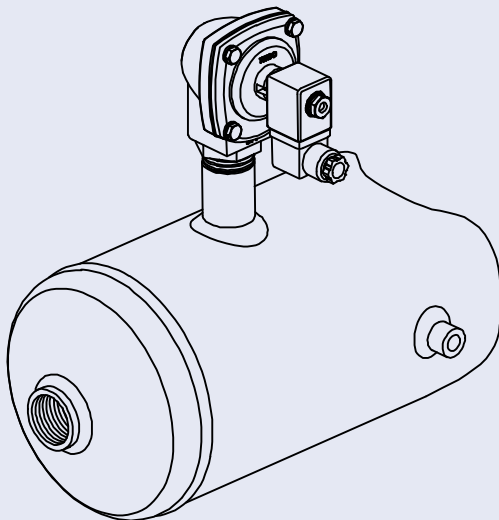


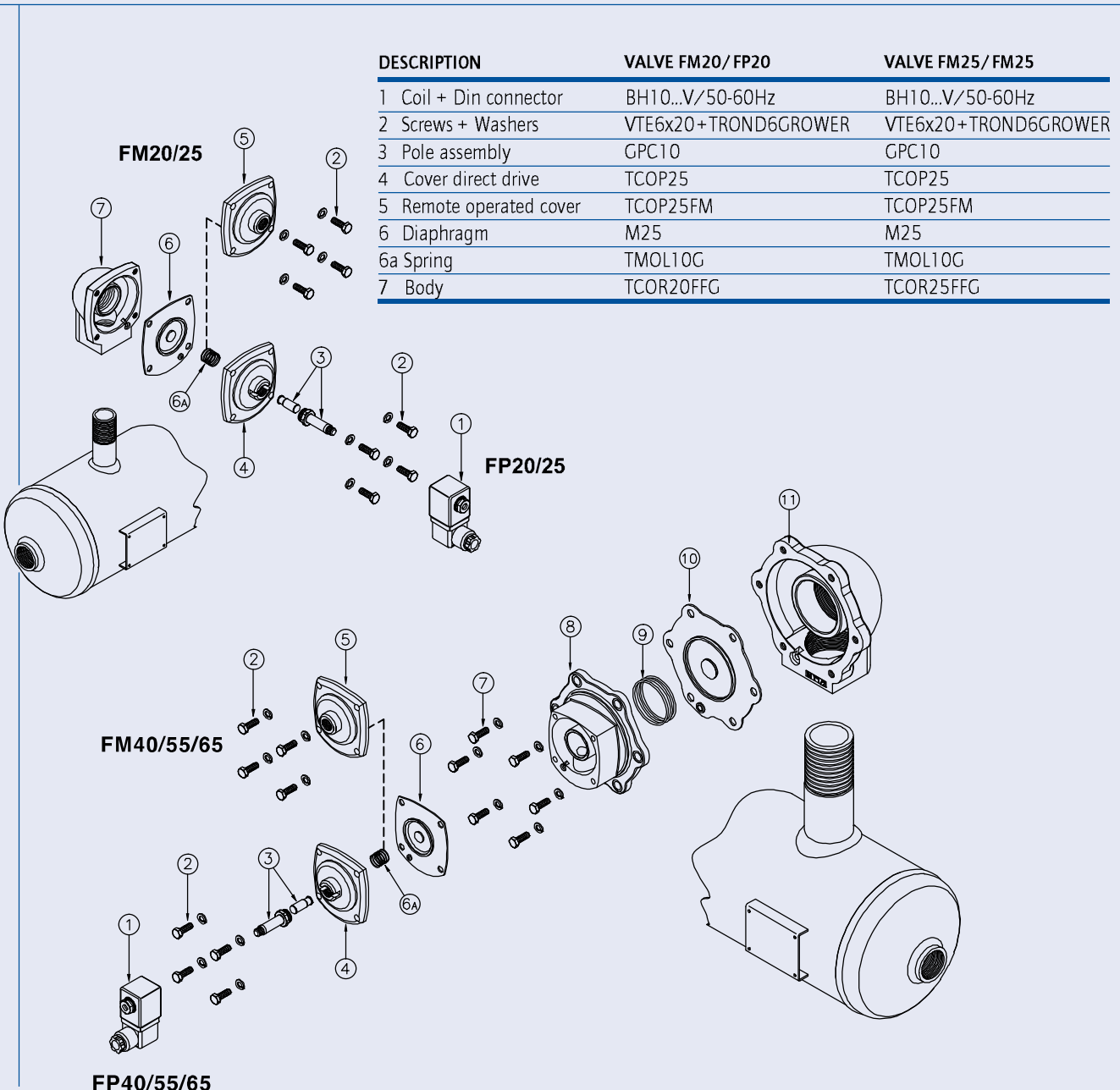


$$L = P \times (N - 1) + 2A + 2B; \quad P = \text{Pitch}; \quad N = \text{Quantity of stubs}$$

For special implementations of P min and B min, please contact our technical department

Ø (Nom.)	Ø (est) mm	Ø E	A	B (min)	Ø F	H	M	R	Z (±)	S (±)	P (min)
5"	140	3/4"	50	45	1"	10	85	40	120	190	85
5"	140	1"	50	45	1"	10	85	40	120	190	85
6"	168,3	3/4"	50	45	1"	10	85	40	120	204	85
6"	168,3	1"	50	45	1"	10	85	40	120	204	85
6"	168,3	1 1/2"	50	55	1"	10	85	40	136	220	150
8"	219,1	1"	70	45	1 1/2"	10	85	40	120	229	85
8"	219,1	1 1/2"	70	55	1 1/2"	10	85	40	136	245	150
8"	219,1	2"	70	60	1 1/2"	10	85	40	164	273	210
10"	273	1 1/2"	90	55	1 1/2"	12	85	40	136	272	150
10"	273	2"	90	60	1 1/2"	12	75	40	164	300	210
10"	273	2 1/2"	90	70	1 1/2"	12	75	40	164	300	210
12"	324	2"	-	60	1 1/2"	20	75	40	164	325	210
12"	324	2 1/2"	-	65	1 1/2"	20	75	40	164	325	210





DESCRIPTION	VALVE FM20/ FP20	VALVE FM25/ FM25
1 Coil + Din connector	BH10...V/50-60Hz	BH10...V/50-60Hz
2 Screws + Washers	VTE6x20+TROND6GROWER	VTE6x20+TROND6GROWER
3 Pole assembly	GPC10	GPC10
4 Cover direct drive	TCOP25	TCOP25
5 Remote operated cover	TCOP25FM	TCOP25FM
6 Diaphragm	M25	M25
6a Spring	TMOL10G	TMOL10G
7 Body	TCOR20FFG	TCOR25FFG

FP40/55/65

DESCRIPTION	VALVE FP/ FM40	VALVE FM55/ FP55	VALVE FM65/ FP65
1 Coil + Din connector	BH10...V/50-60Hz	BH10...V/50-60Hz	BH10...V/50-60Hz
2 Screws + Washers	VTE6x20+TROND6GROWER	VTE6x20+TROND6GROWER	VTE6x20+TROND6GROWER
3 Pole assembly	GPC10	GPC10	GPC10
4 Cover direct drive	TCOP25	TCOP25	TCOP25
5 Remote operated cover	TCOP25FM	TCOP25FM	TCOP25FM
6 Diaphragm	M25	M25	M25
6a Spring	TMOL10G	TMOL10G	TMOL10G
7 Screws + Washers	VTE8x20+TROND8GROWER	VTE10x25+TROND10GROWER	VTE10x25+TROND10GROWER
8 Cover	TCOP40N	TCOP65G	TCOP65G
9 Spring	TMOL40	TMOL40	TMOL40
10 Main diaphragm	M40	M55/LP	M76
11 Body	TCOR40FFG	TCOR55FFG	TCOR65FFGP