

D Series

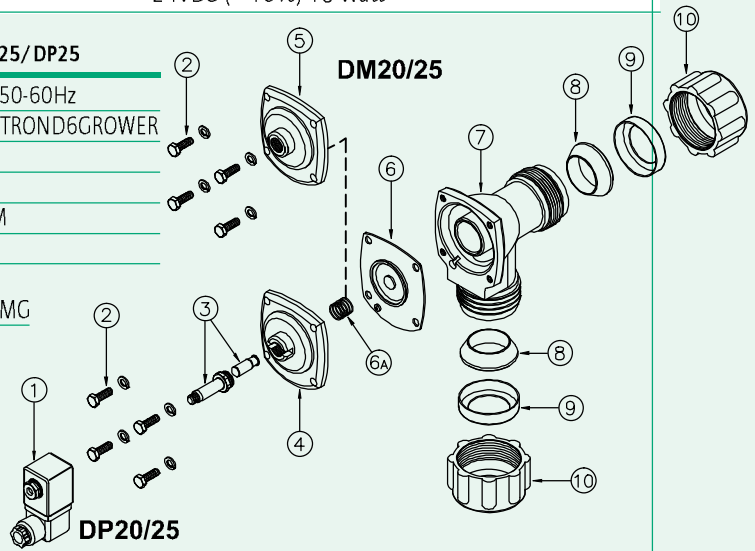


CHARACTERISTICS

Fluid	Filtered and oilfree compressed air
Temperature range	STD diaphragm -20°C; +80°C Viton diaphragm -20°C; +200°C
Operating pressure	min 0,5 bar - max 7,5 bar
Body and cover	Die cast aluminium
Core tube	Stainless steel
Plunger	Stainless steel
Screws	Stainless steel
Coil insulation	Class H
Din's connector	PG 9 EN175301-803
Protection Din's connector + Coil	IP65 EN60529
Standard voltage	24V/50-60Hz (± 10%) 19VA 115V/50-60Hz (± 10%) 19VA 230V/50-60Hz (± 10%) 19VA 24VDC (± 10%) 18 Watt

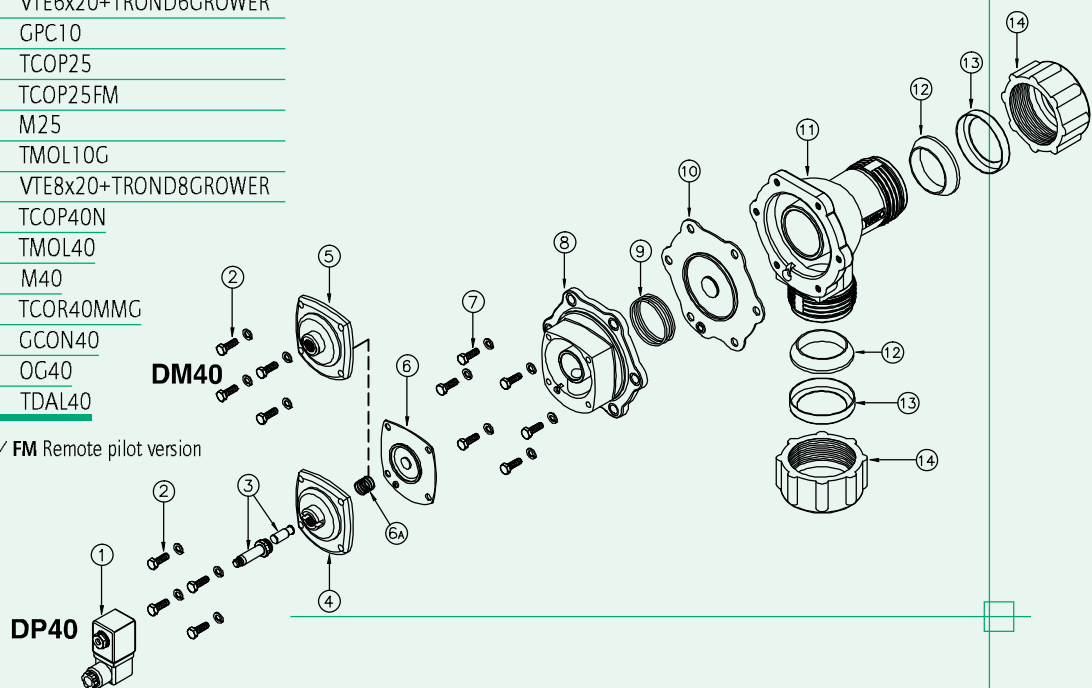
DESCRIPTION	VALVE DM20/DP20	VALVE DM25/DP25
1 Coil + Din Connector	BH10...V/50-60Hz	BH10...V/50-60Hz
2 Screws + Washers	VTE6x20+TROND6GROWER	VTE6x20+TROND6GROWER
3 Pole assembly	GPC10	GPC10
4 Cover direct drive	TCOP25	TCOP25
5 Remote operated cover	TCOP25FM	TCOP25FM
6 Diaphragm	M25	M25
6a Spring	TMOL10G	TMOL10G
7 Body	TCOR20/25MMG	TCOR25MMG
8 Conical seal	GCON20	GCON 25
9 Retainer ring	OG20	OG25
10 Compression nut	TDAL20/25	TDAL25

DP Integral solenoid pilot version / DM Remote pilot version



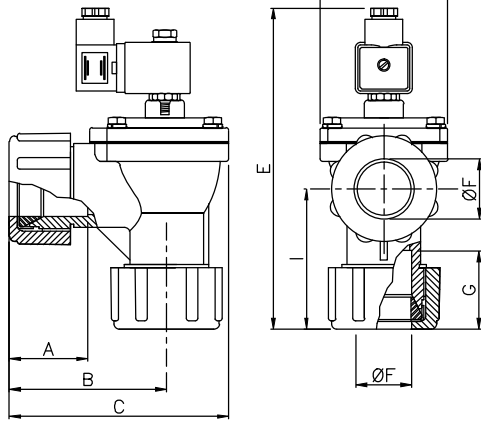
DESCRIPTION	VALVE DM40/DP40
1 Coil + Din Connector	BH10...V/50-60Hz
2 Screws + Washers	VTE6x20+TROND6GROWER
3 Pole assembly	GPC10
4 Cover direct drive	TCOP25
5 Remote operated cover	TCOP25FM
6 Diaphragm	M25
6a Spring	TMOL10G
7 Screws + Washers	VTE8x20+TROND8GROWER
8 Cover	TCOP40N
9 Spring	TMOL40
10 Main Diaphragm	M40
11 Body	TCOR40MMG
12 Conical seal	GCON40
13 Retainer ring	OG40
14 Compression nut	TDAL40

FP Integral solenoid pilot version / FM Remote pilot version

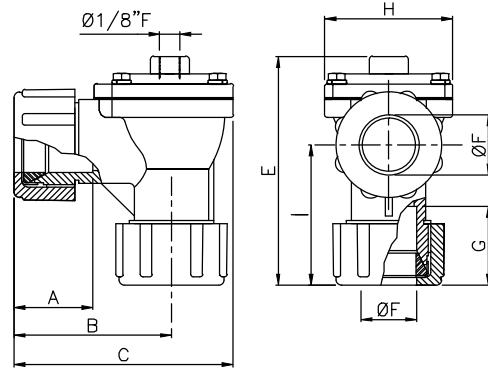


Overall dimensions / D Series **D**

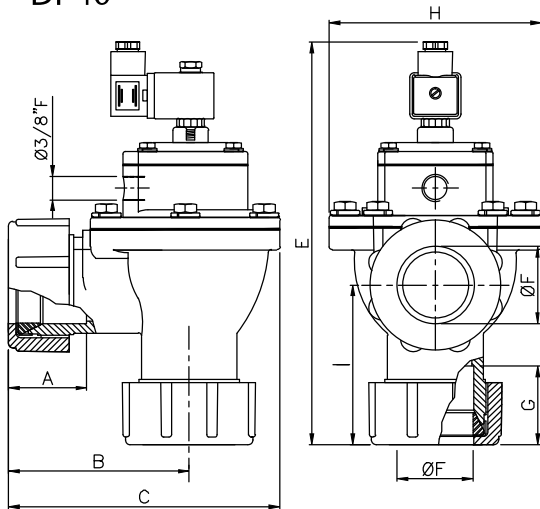
DP20 / 25



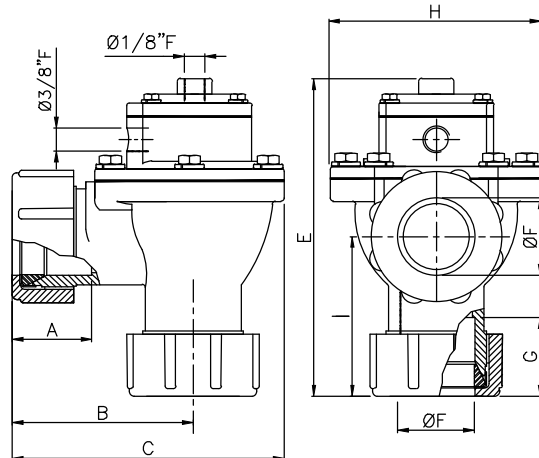
DM20 / 25



DP40



DM40



Dimensions A,B,C, could be change with the compression of the conical seal

Model	Ø L (nom)	A	B	C	E	ØF	G	H	I	Weight (Kg)
DP 20	3/4"	48	90	128	~189	28,5	48	74	80	1,1
DP 25	1"	48	90	128	~189	35	48	74	80	1
DP 40	1 1/2"	66	114	180	~264	50	66	140	101	2,5
DM 20	3/4"	48	90	128	~131	28,5	48	74	80	1,1
DM 25	1"	48	90	128	~131	35	48	74	80	0,9
DM 40	1 1/2"	66	114	180	~206	50	66	140	101	2,3