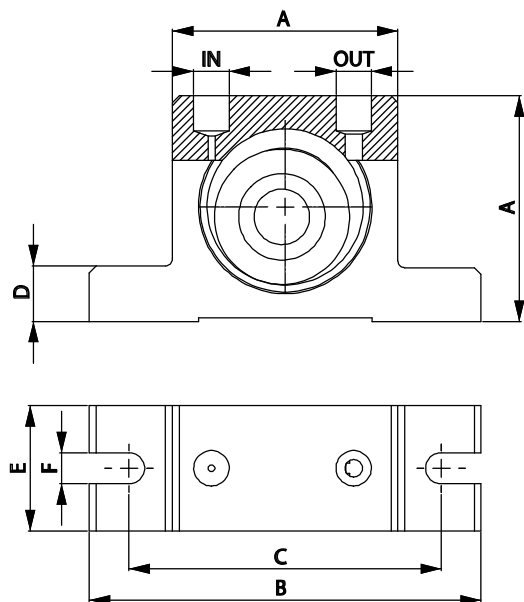




# OR - Rotary pneumatic vibrators - Roller



DIMENSIONAL SPECIFICATIONS

MODEL	A		B		C		D		E		F		IN-OUT	WEIGHT	
	mm	in	mm	in	mm	in	mm	in	mm	in	mm	in		kg	lb
OR50	50	1.97	86	3.39	68	2.68	12	0.47	30	1.18	7	0.28	1/8" BSPP	0.37	0.81
OR65	65	2.56	113	4.45	90	3.54	16	0.63	36	1.42	9	0.35	1/4" BSPP	0.76	1.67
OR80	80	3.15	128	5.04	102	4.02	16	0.63	40	1.57	9	0.35	1/4" BSPP	1.27	2.79
OR100	100	3.94	160	6.30	130	5.12	20	0.79	52	2.05	11	0.43	1/4"-3/8" BSPP	2.60	5.72

MODEL	VIBRATION			F.C. MAX						AIR CONSUMPTION					
	Vpm			2 bar (29 psi)		4 bar (58psi)		6 bar (87psi)		2 bar (29 psi)		4 bar (58psi)		6 bar (87psi)	
	2 bar (29 psi)	4 bar (58psi)	6 bar (87psi)	kg	lb	kg	lb	kg	lb	l/min	CF/min	l/min	CF/min	l/min	CF/min
OR50	21000	25000	29500	188	413	281	619	355	780	78	2.8	144	5.1	204	7.2
OR65	19000	22000	26000	235	516	439	966	552	1215	100	3.5	198	7.0	296	10.5
OR80	14000	16000	21500	342	752	587	1292	624	1373	122	4.3	255	9.0	378	13.3
OR100	6750	9750	11000	289	637	604	1329	783	1722	132	4.7	284	10.0	412	14.5

## OR - ROTARY PNEUMATIC VIBRATORS - ROLLER

**APPLICATION** Hopper and silo - piping - chute - concrete compaction

**POWDER** Hygroscopic

**PROBLEM SOLVING** Friction reduction - compaction

## FEATURES

**DUTY CYCLE** Continuous

**WORKING PRESSURE** From 2 bar to 6 bar (from 29 psi to 87 psi)

**PNEUMATIC CIRCUIT** Filter + flow control valve + lubrication + 3/2 ways valve

**AIR SUPPLY QUALITY** Class 5.4.4.

**WORKING TEMPERATURE** From -20 °C to 200 °C (from -4 °F to 392 °F)

**MAX NOISE LEVEL** <90 dB(a)

**TECHNOLOGY** Roller vibration - high frequency and centrifugal force

**ATEX** II 2D CT(X)  
II 2G CT(X)

**MATERIAL** Aluminium body and brass cover



This information is furnished without warranty, representation, inducement or license of any kind. It is accurate to the best of OLI knowledge or is obtained from sources believed to be accurate. OLI therefore assumes no legal responsibility.