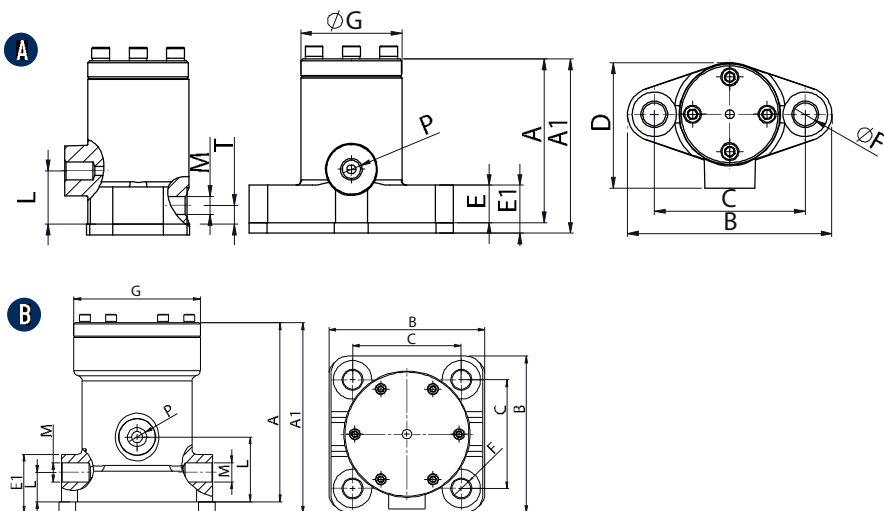




P - Linear pneumatic vibrators - Continuous impact



DIMENSIONAL SPECIFICATIONS

MODEL	DRAW.	A		A1		B		C		D		E		E1		F		G		H		P		L		M		N		WEIGHT	
		mm	in	mm	in	mm	in	mm	in	mm	in	mm	in	mm	in	mm	in	mm	in	mm	in	IN BSPP	mm	in	OUT BSPP	mm	in	kg	lb		
P25	A	92	3.62	98	3.90	115	4.52	85	3.34	70	2.75	21	0.80	27	1.06	13	0.51	58	2.28	30	1.18	1/4"	10.5	0.41	1/4"	25	0.98	2.2	4.9		
P40	A	121	4.76	127	5.00	148	5.8	110	4.33	91	3.58	25	1.00	31	1.22	17	0.67	75	2.95	45	1.77	3/8"	16	0.63	3/8"	35	1.37	4.5	9.9		
P60	B	163	6.41	173	6.4	138x142	5.4x5.5	99x99	3.9x3.9	125	4.92	28	1.1	38	1.50	17	0.67	115	4.52	60	2.36	1/2"	27	1.06	2x1/2"	60	2.36	11	24.3		

MODEL	4 bar (58 psi)																6 bar (87 psi)										
	VIBRA-TION		FORCE		WORKING MOMENT		AIR CONSUMP.		VIBRA-TION		FORCE		WORKING MOMENT		AIR CONSUMP.		VIBRA-TION		FORCE		WORKING MOMENT		AIR CONSUMP.				
	V/min	N	lb	kgcm	inlb	l/min	Cfm	V/min	N	lb	kgcm	inlb	l/min	Cfm	V/min	N	lb	kgcm	inlb	l/min	Cfm	V/min	N	lb	kgcm	inlb	l/min
P25	2500	294	66	0.43	0.37	55	1.9	3800	680	153	0.43	0.37	80	2.8	4500	954	214	0.43	0.37	200	7.1						
P40	1650	484	109	1.63	1.41	31	1.1	2200	860	193	1.63	1.41	120	4.2	2800	1396	314	1.63	1.41	250	8.8						
P60	1200	1296	291	4.11	3.57	100	3.5	1600	2304	518	4.11	3.57	250	8.8	1900	3250	731	4.11	3.57	400	14.1						

P - LINEAR PNEUMATIC VIBRATORS - CONTINUOUS IMPACT

APPLICATION	Hopper silo - salt spreader - dump trailer - rail cart
POWDER	Hygroscopic - humid - sticky
PROBLEM SOLVING	Bridge and rat-holing

FEATURES

DUTY CYCLE	Continuous
WORKING PRESSURE	From 2 bar to 6 bar (from 29 psi to 87 psi)
PNEUMATIC CIRCUIT	Filter + flow control valve + lubrication + 3/2 ways valve
AIR SUPPLY QUALITY	Class 5.4.4.
WORKING TEMPERATURE	From -20 °C to 200 °C (from -4 °F to 392 °F)
MAX NOISE LEVEL	100 dB(a)
TECHNOLOGY	Piston pneumatic impact
MATERIAL	Grey cast iron body (powder painted) - aluminium cover

OPTIONS

KIT ATEX	II 2D CT(X) II 2G CT(X)
SAFETY CHAIN	Available

This information is furnished without warranty, representation, inducement or license of any kind. It is accurate to the best of OLI knowledge or is obtained from sources believed to be accurate. OLI therefore assumes no legal responsibility.

