

YR240

Brass ball valves PN 40 with pneumatic actuator

- Full bore ball valve
- Anti blow out stem
- Top-flange according to DIN-ISO 5211
- Direct mounting



TECHNICAL CHARACTERISTICS

Temperature	-20° ÷ 120°C
Fluid	air, water, ecc
Working pressure	PN 16° ÷ 120°C - PN 40° ÷ 95°C
Thread ends	GAS UNI 338 - ISO R/228 - DIN 259 - BSPP
Rotary angle	90°
Flow direction	both direction

CONSTRUCTIVE CHARACTERISTICS

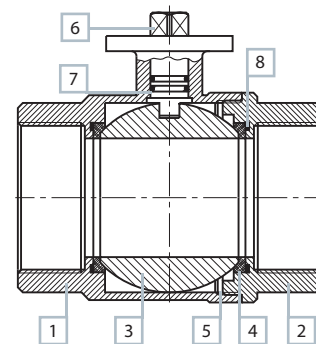
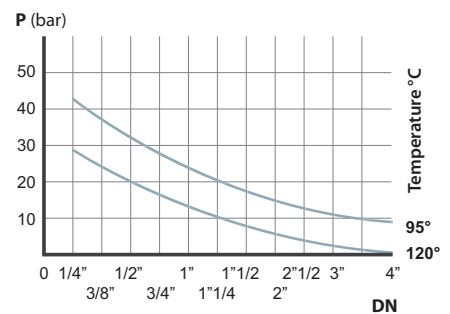
Body	hot pressed brass (1)
End cap	hot pressed brass (2)
Ball	brass chrome plated (3)
Seat ring	P.T.F.E. (4)
Body seal	P.T.F.E. (5)
Stem	brass (6)
Stem ring	viton (7)
O-ring	NBR (8)

CODIFICATION KEY

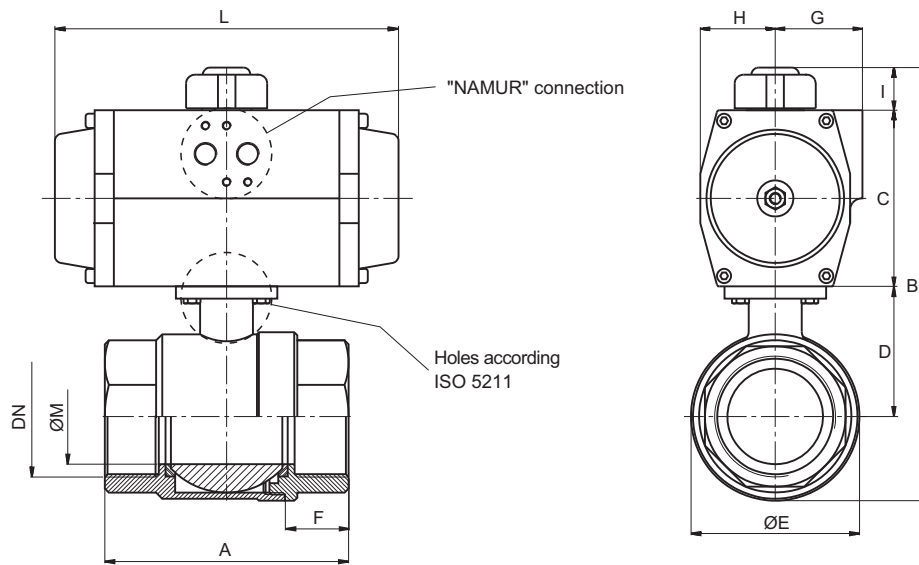
Y	R	2	4	0	0	1	0	D	A
		1			2		3		

1 Series	2 Size	3 Version
YR240 = Brass ball valves PN 40 with pneumatic actuator	008 = 8 mm 010 = 10 mm 015 = 15 mm 020 = 20 mm 025 = 25 mm 032 = 32 mm 040 = 40 mm 050 = 50 mm 065 = 65 mm 080 = 80 mm 100 = 100 mm	DA = double acting SR = simple acting

> Pressure - temperature diagram



Double acting/single acting



Double acting

Ø	DN	A	B	C	D	Ø E	F	G	H	I	L	Ø M	Weight Kg	Part no.
8	G 1/4	65	115	45	29	32	17	22,5	22,5	25	110	11,5	0,82	YR240008DA
10	G 3/8	65	115	45	29	32	17	22,5	22,5	25	110	15	0,82	YR240010DA
15	G 1/2	65	137	67	29	32	17	41	30	25	137	15	1,12	YR240015DA
20	G 3/4	75	144	67	32	40	19	41	30	25	137	20	1,24	YR240020DA
25	G 1	86	151,5	67	36	47	21	41	30	25	137	25	1,62	YR240025DA
32	G 1 1/4	95	161,5	67	41	57	22	41	30	25	137	32	1,91	YR240032DA
40	G 1 1/2	101	199,5	83	57	69	22	44,5	36,5	25	150	38	2,79	YR240040DA
50	G 2	120	213	83	64	82	25	44,5	36,5	25	150	47	3,62	YR240050DA
65	G 2 1/2	165	266,5	100	85	113	30	49,5	42,5	25	204	65	7,02	YR240065DA
80	G 3	188	297	110	94,5	135	33	53	49	25	230	80	10,39	YR240080DA
100	G 4	225	349	125	116	166	39	58	55	25	271	100	15,86	YR240100DA

Single acting

Ø	DN	A	B	C	D	Ø E	F	G	H	I	L	Ø M	Weight Kg	Part no.
8	G 1/4	65	137	67	29	32	17	41	30	25	137	11,5	1,42	YR240008SR
10	G 3/8	65	137	67	29	32	17	41	30	25	137	15	1,42	YR240010SR
15	G 1/2	65	137	67	29	32	17	41	30	25	137	15	1,42	YR240015SR
20	G 3/4	75	144	67	32	40	19	41	30	25	137	20	1,47	YR240020SR
25	G 1	86	167	83	36	47	21	41	30	25	150	25	2,51	YR240025SR
32	G 1 1/4	95	177	83	41	57	22	44,5	36,5	25	150	32	2,80	YR240032SR
40	G 1 1/2	101	216	100	57	69	22	49,5	42,5	25	204	38	4,33	YR240040SR
50	G 2	120	230	100	64	82	25	49,5	42,5	25	204	47	5,16	YR240050SR
65	G 2 1/2	165	291	125	85	113	30	58	55	25	271	65	10,44	YR240065SR
80	G 3	188	352	155	95,5	135	33	70	70	35	360	80	19,31	YR240080SR
100	G 4	225	389	155	116	166	39	70	70	35	360	100	23,10	YR240100SR

Actuator sizing: air supply actuator 5,5 bar (80 psi) min. with ΔP valve 16 bar (232 psi) max

YR250

2 - pieces ball valves SS 316 with lever or pneumatic actuator

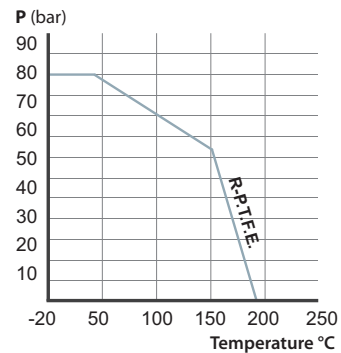
- Full bore ball valve
- Anti-blow out stem
- Anti-static device
- Top-flange according to DIN-ISO 5211
- Direct mounting



TECHNICAL CHARACTERISTICS

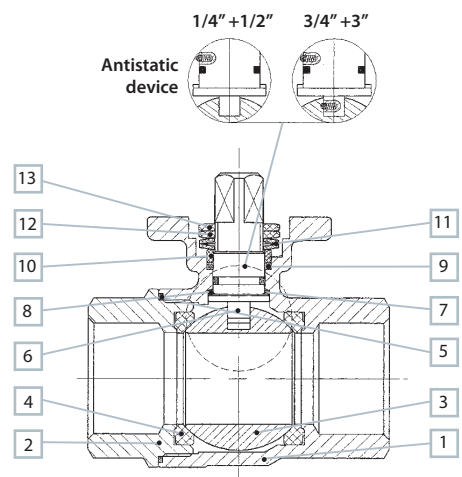
Temperature	-20° ÷ 230°C
Fluid	air, water, chemical agents, ecc.
Working pressure	PN 64 max.
Thread ends	GAS UNI 338 - ISO R/228 - DIN 259 - BSPP
Rotary angle	90°
Flow direction	both direction

>>Pressure-temperature diagram

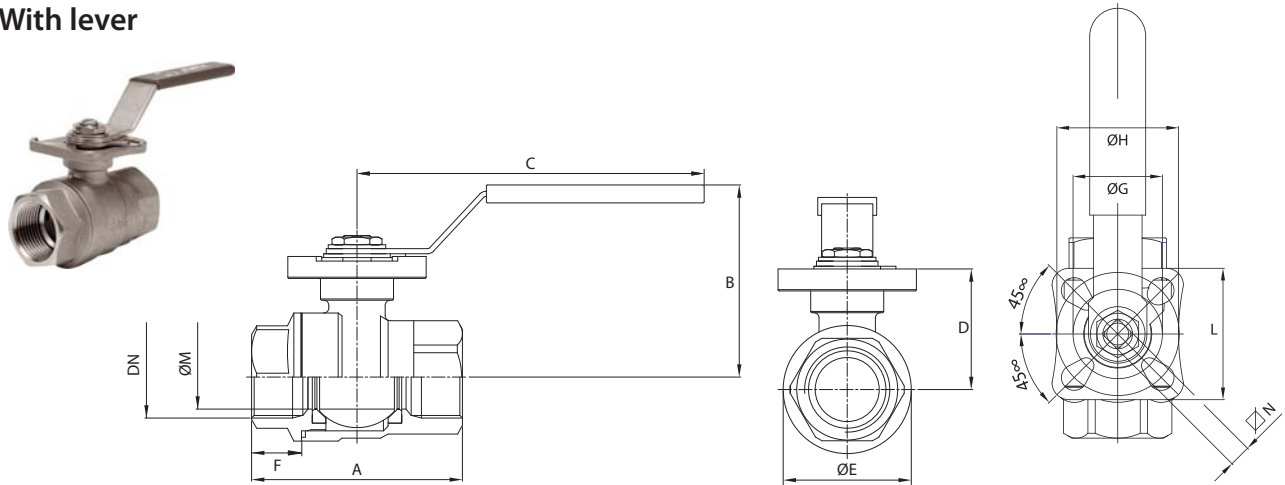


CONSTRUCTIVE CHARACTERISTICS

Body	ASTM-A351-CF8M (1)
End cap	ASTM-A351-CF8M (2)
Ball	ASTM-A351-CF8M (3)
Seat ring	15% R - P.T.F.E (4)
Body seal	P.T.F.E. (5)
Stem	AISI 316 - 316 S.S (6)
Thrust washer	15% R - P.T.F.E. (7)
O-ring	VITON (8)
Gland packing	P.T.F.E. (9)
Gland ring	AISI 304 - 304 S.S. (10)
Belleville spring	AISI 304 - 304 S.S. (11)
Stuffing nut	AISI 304 - 304 S.S. (12)
Lock nut	AISI 304 - 304 S.S. (13)

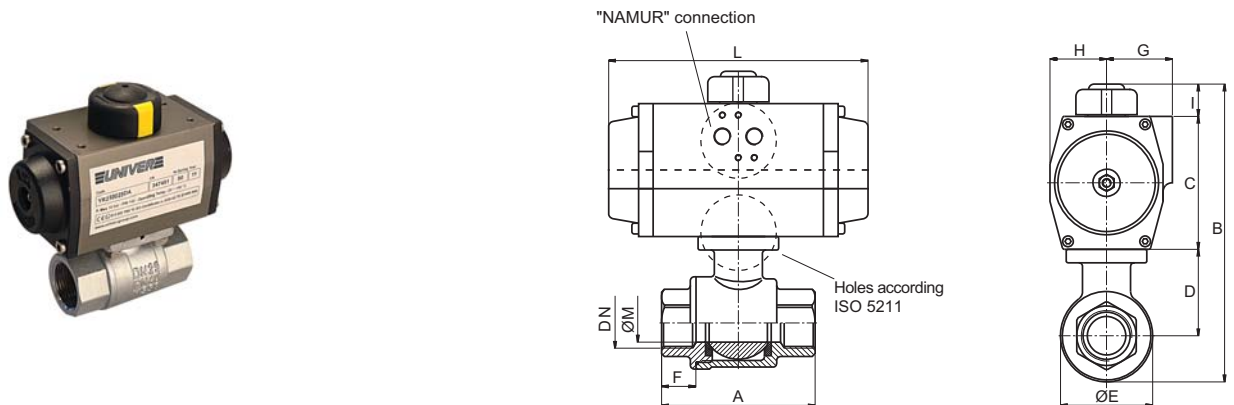


With lever



DN	A	B	C	D	Ø E	F	Ø G	Ø H	L	Ø M	∅ N	Weight Kg	CV factor	Part no.			
8	1/4	49,6	60,5	110	36	32,4	9,6	F03	36	F04	42	41,7	11	9	0,3	6,6	YR250008LM
10	3/8	49,6	60,5	110	36	32,4	9,6	F03	36	F04	42	41,7	12,7	9	0,3	7,9	YR250010LM
15	1/2	55	62,5	110	38	34,6	12	F03	36	F04	42	41,7	15	9	0,34	11,2	YR250015LM
20	3/4	75,5	69,2	136	41,7	43,9	19	F03	36	F04	42	41,7	20	9	0,62	21	YR250020LM
25	1	82,5	71,9	136	44,4	50,3	19,5	F04	42	F05	50	50,4	25	9	0,78	35	YR250025LM
32	1 1/4	90,8	86,3	158	54	62,6	20,3	F04	42	F05	50	66,5	32	11	1,35	57	YR250032LM
40	1 1/2	103	93,7	203	59,5	74,1	24,5	F05	50	F07	70	66,5	40	11	1,91	85	YR250040LM
50	2	120	101,2	203	67	89,1	29	F05	50	F07	70	66,5	50	14	2,8	148	YR250050LM
65	2 1/2	155	142,8	322,5	101,5	116,7	34,5	F07	70	F10	102	93	65	17	6,98	265	YR250065LM
80	3	182	153,8	322,5	112,5	140,7	40	F07	70	F10	102	93	80	17	10,3	415	YR250080LM

Double acting/single acting



Double acting

DN	A	B	C	D	Ø E	F	G	H	I	L	Ø M	Weight Kg	Part no.	
8	1/4	49,6	122,2	45	36	32,4	9,6	28,5	22,5	25	110	11	0,9	YR250008DA
10	3/8	49,6	122,2	45	36	32,4	9,6	28,5	22,5	25	110	12,7	0,9	YR250010DA
15	1/2	55	147,3	67	38	34,6	12	41	30	25	137	15	1,52	YR250015DA
20	3/4	75,5	155,7	67	41,7	43,9	19	41	30	25	137	20	1,8	YR250020DA
25	1	82,5	161,6	67	44,4	50,3	19,5	41	30	25	137	25	1,95	YR250025DA
32	1 1/4	90,8	193,3	83	54	62,6	20,3	44,5	36,5	25	150	32	2,98	YR250032DA
40	1 1/2	103	204,6	83	59,5	74,1	24,5	44,5	36,5	25	150	40	3,53	YR250040DA
50	2	120	236,6	100	67	89,1	29	49,5	42,5	25	204	50	5,63	YR250050DA
65	2 1/2	155	294,9	110	101,5	116,7	34,5	53	49	25	230	65	11,3	YR250065DA
80	3	182	317,9	110	112,5	140,7	40	53	49	25	230	80	14,62	YR250080DA

Single acting

DN	A	B	C	D	Ø E	F	G	H	I	L	Ø M	Weight Kg	Part no.	
8	1/4	49,6	144,2	67	36	32,4	9,6	41	30	25	137	11	1,6	YR250008SR
10	3/8	49,6	144,2	67	36	32,4	9,6	41	30	25	137	12,7	1,6	YR250010SR
15	1/2	55	147,3	67	38	34,6	12	41	30	25	137	15	1,63	YR250015SR
20	3/4	75,5	171,7	83	41,7	43,9	19	44,5	36,5	25	150	20	2,5	YR250020SR
25	1	82,5	177,6	83	44,4	50,3	19,5	44,5	36,5	25	150	25	2,65	YR250025SR
32	1 1/4	90,8	210,3	100	54	62,6	20,3	49,5	42,5	25	204	32	4,75	YR250032SR
40	1 1/2	103	221,6	100	59,5	74,1	24,5	49,5	42,5	25	204	40	5,3	YR250040SR
50	2	120	246,5	110	67	89,1	29	53	49	25	230	50	7,75	YR250050SR
65	2 1/2	155	309,9	125	101,5	116,7	34,5	58	55	25	271	65	13,95	YR250065SR
80	3	182	362,9	155	112,5	140,7	40	70	70	35	360	80	24,5	YR250080SR

Actuator sizing: air supply actuator 5.5 bar (80 psi) min.with. ΔP valve 16 bar (232 psi) max

YR260

3 - pieces ball valves SS 316 lever or with pneumatic actuator

- Full bore ball valve
- Anti-blow out stem
- Anti-static device
- Top-flange according to DIN-ISO 5211
- Direct mounting



TECHNICAL CHARACTERISTICS

Temperature	-20° ÷ 230°C
Fluid	air, water, chemical agents, etc
Working pressure	PN 64 max.
Thread ends	GAS UNI 338 - ISO R/228 - DIN 259 - BSPP
Rotary angle	90°
Flow direction	both direction

CONSTRUCTIVE CHARACTERISTICS

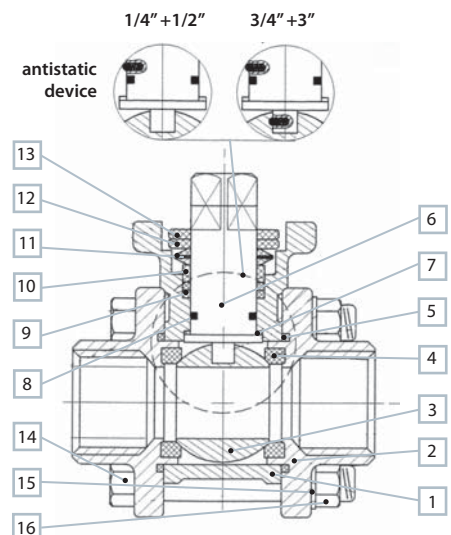
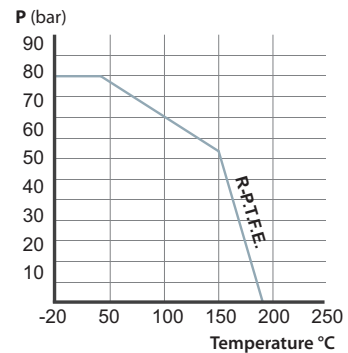
Body	ASTM-A351-CF8M (1)
End cap	ASTM-A351-CF8M (2)
Ball	ASTM-A351-CF8M (3)
Seat ring	15% R - P.T.F.E (4)
Body seal	15% R -P.T.F.E. (5)
Stem	AISI 316 - 316 S.S (6)
Thrust washer	15% R - P.T.F.E. (7)
O-ring	VITON (8)
Gland packing	15% R -P.T.F.E. (9)
Gland ring	AISI 304 - 304 S.S. (10)
Belleville spring	AISI 304 - 304 S.S. (11)
Stuffing nut	AISI 304 - 304 S.S. (12)
Lock nut	AISI 304 - 304 S.S. (13)
Bolt	AISI 304 - 304 S.S (14)
Spring washer	AISI 304 - 304 S.S (15)
Exagon nut	AISI 304 - 304 S.S (16)

CODIFICATION KEY

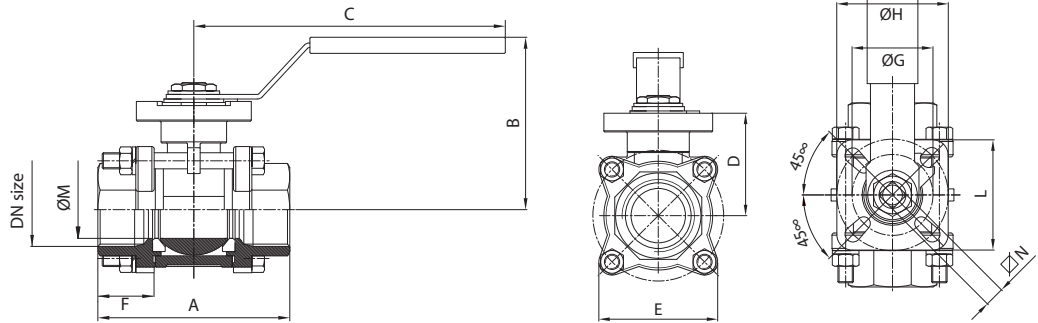
Y	R	2	6	0	0	1	0	D	A
1			2				3		

1 Series	2 Size	3 Version
YR260 = 3 - pieces ball valves SS 316 lever or with pneumatic actuator	008 = 8 mm 010 = 10 mm 015 = 15 mm 020 = 20 mm 025 = 25 mm 032 = 32 mm 040 = 40 mm 050 = 50 mm 065 = 65 mm 080 = 80 mm	LM = manual lever DA = double acting SR = simple acting

>>Pressure-temperature diagram

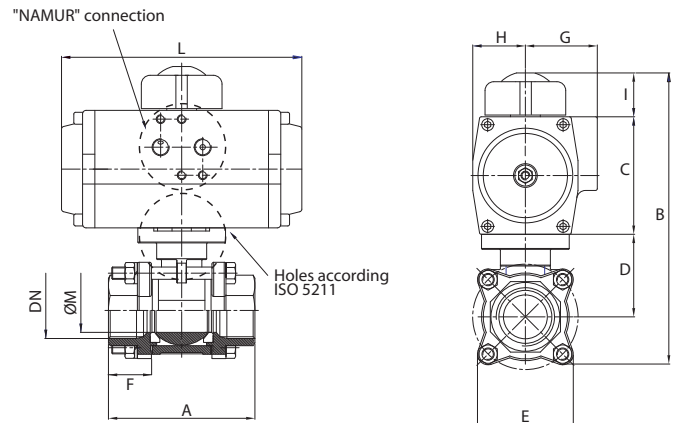


With lever



DN	A	B	C	D	ØE	F	ØG	ØH	L	ØM	∇N	ØP	ØK	ØK1	Weight Kg	CV factor	Part no.	
8	1/4	58	60,5	112	36	38	19	F03 36	F04 42	41,7	11,6	9	18,1	14,1	-	0,40	6,6	YR260008LM
10	3/8	58	60,5	112	36	38	19	F03 36	F04 42	41,7	12,8	9	18,1	17,6	-	0,40	7,9	YR260010LM
15	1/2	62	62,5	112	38	41,4	20,1	F03 36	F04 42	41,7	15	9	21,7	21,7	-	0,43	11,2	YR260015LM
20	3/4	77	69,2	138	41,7	52,4	23,5	F03 36	F04 42	50,4	20	9	27,2	27,2	-	0,81	21	YR260020LM
25	1	83	71,9	138	44,4	57,4	25,5	F04 42	F05 50	50,4	25	9	34	33,9	-	1,01	35	YR260025LM
32	1 1/4	94	85,1	205	54	70,8	27,3	F04 42	F05 50	66,5	32	11	42,7	42,6	-	1,77	57	YR260032LM
40	1 1/2	107	92,7	205	59,5	79,4	29,5	F05 50	F07 70	66,5	40	11	48,6	48,7	-	2,47	85	YR260040LM
50	2	120	100,2	205	67	91	34,5	F05 50	F07 70	66,5	50	14	60,5	61,1	-	3,54	148	YR260050LM
65	2 1/2	157	142,8	330	101,5	115,4	38	F07 70	F10 102	93	65	17	76,3	73,8	70,9	8,49	265	YR260065LM
80	3	182	153,8	330	112,5	135,8	43,5	F07 70	F10 102	93	80	17	89,1	89,9	82,5	12,38	415	YR260080LM

Double acting/single acting



Double acting

DN	A	B	C	D	ØE	F	G	H	I	L	ØM	Weight Kg	Part no.	
8	1/4	58	125	45	36	38	19	28,5	22,5	25	110	11,6	0,98	YR260008DA
10	3/8	58	125	45	36	38	19	28,5	22,5	25	110	12,8	0,98	YR260010DA
15	1/2	62	150,5	67	38	41,4	20,1	41	30	25	137	15	1,58	YR260015DA
20	3/4	77	159,9	67	41,7	52,4	23,5	41	30	25	137	20	1,96	YR260020DA
25	1	83	165,1	67	44,4	57,4	25,5	41	30	25	137	25	2,16	YR260025DA
32	1 1/4	94	197,4	83	54	70,8	27,3	44,5	36,5	25	150	32	3,37	YR260032DA
40	1 1/2	107	207,2	83	59,5	79,4	29,5	44,5	36,5	25	150	40	4,07	YR260040DA
50	2	120	237,5	100	67	91	34,5	49,5	42,5	25	204	50	6,34	YR260050DA
65	2 1/2	157	294,2	110	101,5	115,4	38	53	49	25	230	65	12,77	YR260065DA
80	3	182	315,4	110	112,5	135,8	43,5	53	49	25	230	80	16,66	YR260080DA

Single acting

DN	A	B	C	D	ØE	F	G	H	I	L	ØM	Weight Kg	Part no.	
8	1/4	58	147	67	36	38	19	41	30	25	137	11,6	1,67	YR260008SR
10	3/8	58	147	67	36	38	19	41	30	25	137	12,8	1,67	YR260010SR
15	1/2	62	150,5	67	38	41	20,1	41	30	25	137	15	1,70	YR260015SR
20	3/4	77	175,9	83	41,7	52,4	23,5	44,5	36,5	25	150	20	2,66	YR260020SR
25	1	83	181,1	83	44,4	57,4	25,5	44,5	36,5	25	150	25	2,86	YR260025SR
32	1 1/4	94	214,4	100	54	70,8	27,3	49,5	42,5	25	204	32	5,13	YR260032SR
40	1 1/2	107	224,2	100	59,5	79,4	29,5	49,5	42,5	25	204	40	5,83	YR260040SR
50	2	120	247,5	110	67	91	34,5	53	49	25	230	50	8,45	YR260050SR
65	2 1/2	157	309,2	125	101,5	115,4	38	58	55	25	271	65	15,41	YR260065SR
80	3	182	370,4	155	112,5	135,8	43,5	70	70	35	360	80	26,53	YR260080SR

Actuator sizing: air supply actuator 5.5 bar (80 psi) min. with ΔP valve 16 bar (232 psi) max

YR270

Three ways ball valves SS 316 "L" type with lever or pneumatic actuator

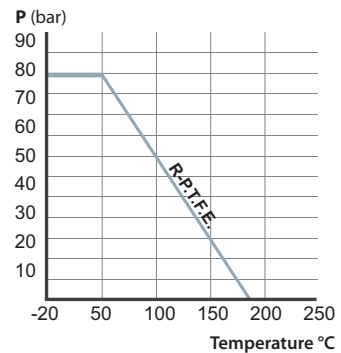
- Reduced bore ball valve
- Anti-blow out stem
- Anti-static device
- Top-flange according to DIN-ISO 5211
- Direct mounting



TECHNICAL FEATURES

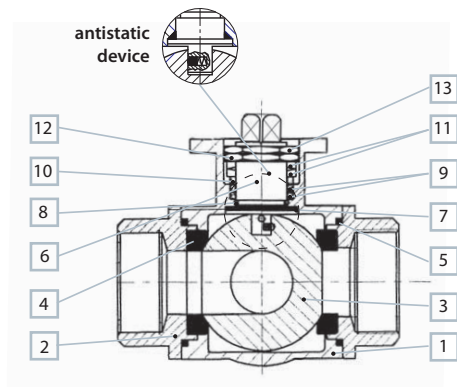
Temperature	-20° ÷ 190°C
Fluid	air, water, chemical agents, etc.
Working pressure	PN 63 max
Thread ends	GAS UNI 338 - ISO R/228 - DIN 259 - BSPP
Rotary angle	90°
Flow direction	both direction

>> Temperature-pressure diagram

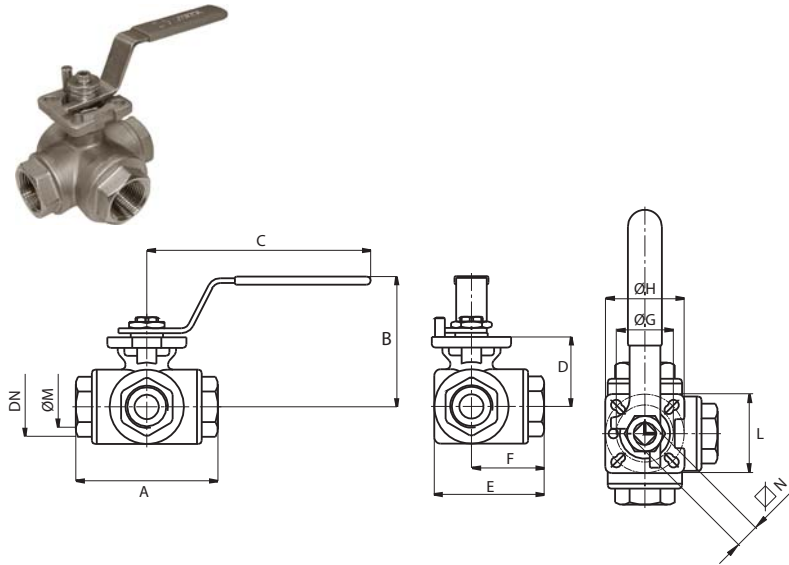


CONSTRUCTIVE FEATURES

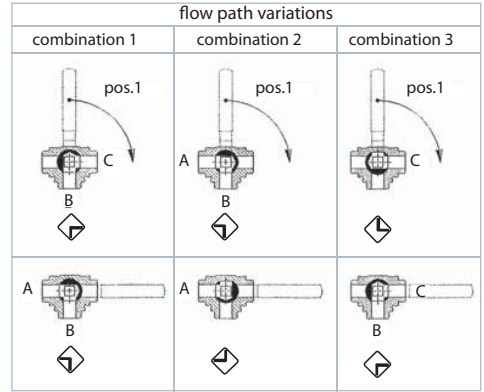
Body	ASTM-A351-CF8M (1)
End cap	ASTM-A351-CF8M (2)
Ball	ASTM-A351-CF8M (3)
Seat ring	15% R - P.T.F.E (4)
Body seal	P.T.F.E. (5)
Stem	AISI 316 - 316 S.S (6)
Thrust washer	15% R - P.T.F.E. (7)
O-ring	VITON (8)
Gland packing	P.T.F.E. (9)
Gland ring	AISI 304 - 304 S.S. (10)
Belleville spring	AISI 304 - 304 S.S. (11)
Stuffing nut	AISI 304 - 304 S.S. (12)
Lock nut	AISI 304 - 304 S.S. (13)



With lever



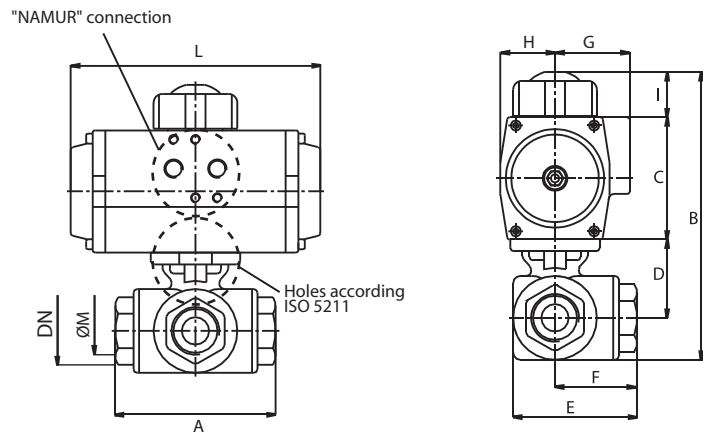
Operating draft



The ball holes position is showed on the stem milling
 A,B,C=outlets lever rotation: 90°
 To change outlets combination please operate as follow:
 -remove the lever
 -turn the stem into the desired starting position (pos.1)
 -reset the lever

DN	A	B	C	D	E	F	Ø G	Ø H	L	Ø M	Ø N	Weight Kg	Part no.
8	1/4	69	66.5	106	42	61.5	F03 36	F04 42	42.30	11	9	0.75	YR270008LM
10	3/8	69	66.5	106	42	61.5	F03 36	F04 42	42.30	11	9	0.72	YR270010LM
15	1/2	75	66.5	106	42	61.5	F03 36	F04 42	42.30	12.7	9	0.67	YR270015LM
20	3/4	86	74	133	46.5	73.6	F03 36	F04 42	42.30	16	9	1.07	YR270020LM
25	1	101	82.5	133	55	84.3	F04 42	F05 50	51.25	20	9	1.68	YR270025LM
32	1 1/4	115	93.6	133	62.5	95.4	F04 42	F05 50	21.25	25	11	2.44	YR270032LM
40	1 1/2	125	107.2	187	74	106.2	F05 50	F07 70	67.55	32	11	3.61	YR270040LM
50	2	149	121.5	187	88.3	126.2	F05 50	F07 70	67.55	38.1	14	5.81	YR270050LM

Double acting/single acting



Double acting

DN	A	B	C	D	E	F	G	H	I	L	Ø M	Weight Kg	Part no.	
8	1/4	69	152.6	67	42	61.46	35.1	41	30	25	137	11	1.9	YR270008DA
10	3/8	69	152.6	67	42	61.46	35.1	41	30	25	137	11	1.87	YR270010DA
15	1/2	75	152.6	67	42	61.46	38	41	30	25	127	11	1.82	YR270015DA
20	3/4	86	178	83	46.5	73.63	43.8	44.5	36.5	25	150	16	2.67	YR270020DA
25	1	101	192.9	83	55	84.30	50.3	44.5	36.5	25	150	20	3.28	YR270025DA
32	1 1/4	115	204.8	83	62.5	95.39	57.5	44.5	36.5	25	150	25	4.04	YR270032DA
40	1 1/2	125	243	100	74	106.2	64	49.5	42.5	25	204	32	6.41	YR270040DA
50	2	149	276	125	88.3	126.2	75.5	58	55	25	271	38.1	11.61	YR270050DA

Single acting

DN	A	B	C	D	E	F	G	H	I	L	Ø M	Weight Kg	Part no.	
8	1/4	69	168.6	83	42	61.46	35.1	44.5	36.5	25	150	11	2.6	YR270008SR
10	3/8	69	168.6	83	42	61.46	35.1	44.5	36.5	25	150	11	2.57	YR270010SR
15	1/2	75	168.6	83	42	61.46	38	44.5	36.5	25	150	12.7	2.52	YR270015SR
20	3/4	86	195	100	46.5	73.63	43.8	49.5	42.5	25	204	16	4.43	YR270020SR
25	1	101	209.9	100	55	84.30	50.3	49.5	42.5	25	204	20	5.04	YR270025SR
32	1 1/4	115	221.8	100	62.5	95.39	57.5	49.5	42.5	25	204	25	5.8	YR270032SR
40	1 1/2	125	253	110	74	106.2	64	53	49	25	230	32	8.52	YR270040SR
50	2	149	313	142	88.3	126.2	75.5	69	64	35	305	38.1	15.53	YR270050SR

Actuator sizing: air supply actuator 5.5 bar (80 psi) min. with ΔP valve 16 bar (232 psi) max

YR280

Three ways ball valves brass "L" type with lever or pneumatic actuator

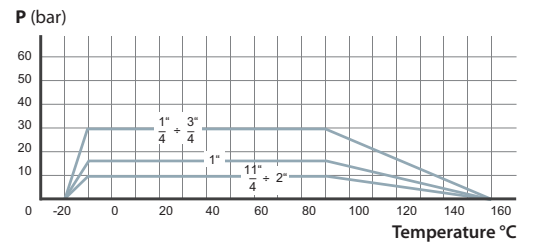
- Reduced bore ball valve
- Anti blow out stem
- Anti-tatic device
- Top-flange according to DIN-ISO 5211
- Direct mounting



TECHNICAL FEATURES

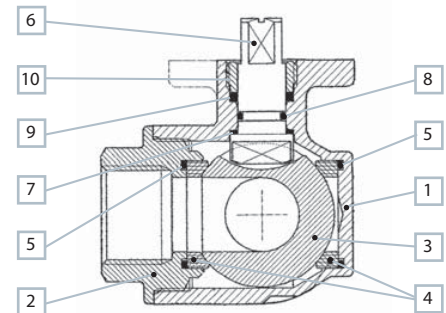
Temperature	-20° ÷ 160°C		
Fluid	air, water, chemical agents, etc		
Working pressure	DN 1/4" ÷ DN3/4" PN30	DN 1" PN16	DN1"1/4 ÷ DN2" PN10
Thread ends	UNI ISO 7/1-Rp - DIN 2999 (GAS)		
Rotary angle	90°		
Flow direction	both direction		

>>Pressure-temperature diagram



CONSTRUCTIVE FEATURES

Body	nichel plated OT
End cap	nichel plated OT 58
Ball	nichel plated OT 58
Seat ring	P.T.F.E.
Body seal	VITON
Stem	chromium plated OT 58
Thrust washer	P.T.F.E.
O-ring	VITON
Gland packing	P.T.F.E.
Gland ring nut	nichel plated OT 58

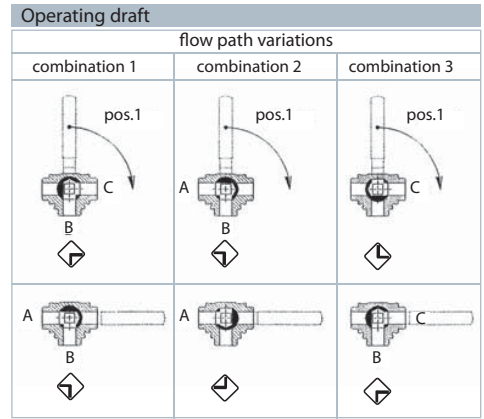
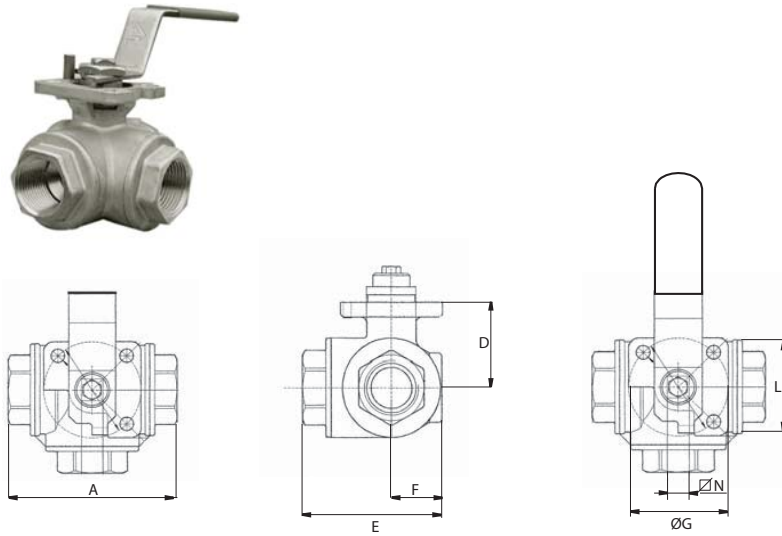


CODIFICATION KEY

Y	R	2	8	0	0	1	0	D	A
1			2			3			

1 Series	2 Size	3 Version
YR280 = Three ways ball valves brass "L" type with lever or pneumatic actuator	008 = 8 mm 010 = 10 mm 015 = 15 mm 020 = 20 mm 025 = 25 mm 032 = 32 mm 040 = 40 mm 050 = 50 mm	LM = manual lever DA = double acting SR = simple acting

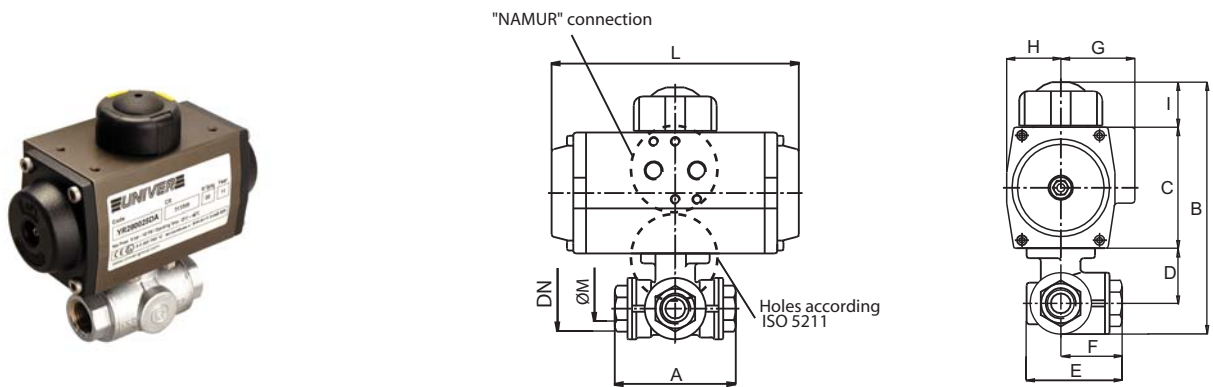
With manual lever



The ball holes position is showed on the stem milling
 A,B,C=outlets lever rotation: 90°
 To change outlets combination please operate as follow:
 -remove the lever
 -turn the stem into the desired starting position (pos.1)
 -reset the lever

DN	A	B	C	D	E	F	ØG	L	ØM	ØN	Weight Kg	Part no.
8	1/4	67	62.5	120	30.5	53	F03 36	38	11	9	0.56	YR280008LM
10	3/8	67	62.5	120	30.5	53	F03 36	38	11	9	0.53	YR280010LM
15	1/2	77	63.5	120	32.7	60.5	F03 36	38	15	9	0.66	YR280015LM
20	3/4	87	75	170	41.5	68	F05 50	50	20	11	1.14	YR280020LM
25	1	105	79.5	170	47	82.3	F05 50	50	25	11	1.83	YR280025LM
32	1 1/4	122.5	93	170	59.5	99.1	F05 50	50	32	11	2.83	YR280032LM
40	1 1/2	138.5	113.5	230	73.9	113.8	F07 70	70	40	14	4.75	YR280040LM
50	2	166	123.5	230	85	139	F07 70	70	49.5	14	8.77	YR280050LM

Double acting/spring return



Double acting

DN	A	B	C	D	E	F	G	H	I	L	ØM	Weight Kg	Part no.
8	1/4	67	117.5	45	30.5	53	33.5	28.5	22.5	25	110	1.14	YR280008DA
10	3/8	67	117.5	45	30.5	53	33.5	28.5	22.5	25	110	1.11	YR280010DA
15	1/2	77	144.2	67	32.7	60.5	38.5	41	30	25	137	1.81	YR280015DA
20	3/4	87	173.5	83	41.5	68	43.5	44.5	36.5	25	150	2.74	YR280020DA
25	1	105	185	83	47	82.3	52.5	44.5	36.5	25	150	3.43	YR280025DA
32	1 1/4	122.5	203.5	83	59.5	99.1	61.3	44.5	36.5	25	150	4.43	YR280032DA
40	1 1/2	138.5	241.9	100	73.9	113.8	69.3	49.5	42.5	25	204	7.55	YR280040DA
50	2	166	265.5	100	85	139	83	49.5	42.5	25	204	11.57	YR280050DA

Spring return

DN	A	B	C	D	E	F	G	H	I	L	ØM	Weight Kg	Part no.
8	1/4	67	139.5	67	30.5	53	33.5	41	30	25	137	1.83	YR280008SR
10	3/8	67	139.5	67	30.5	53	33.5	41	30	25	137	1.80	YR280010SR
15	1/2	77	144.2	67	32.7	60.5	38.5	41	30	25	137	1.93	YR280015SR
20	3/4	87	173.5	83	41.5	68	43.5	44.5	36.5	25	150	2.99	YR280020SR
25	1	105	185	83	47	82.3	52.5	44.5	36.5	25	150	3.68	YR280025SR
32	1 1/4	122.5	220.5	100	59.5	99.1	61.3	49.5	42.5	25	204	6.19	YR280032SR
40	1 1/2	138.5	241.9	100	73.9	113.8	69.3	49.5	42.5	25	204	8.11	YR280040SR
50	2	166	275.5	110	85	139	83	53	49	25	230	13.68	YR280050SR

Actuator sizing: air supply actuator 5.5 bar (80 psi) min. with ΔP valve 16 bar (232 psi) max