

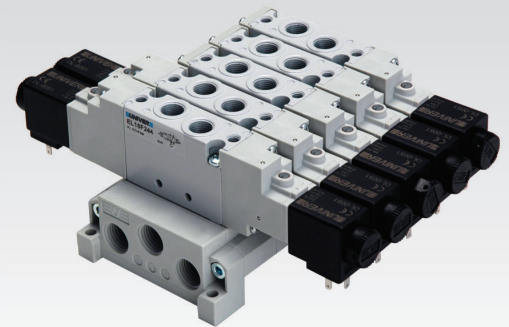
EL18F

ESSENTIAL valves 18 mm - G1/8

High flow rate: 800 NI/min
 Reduced dimensions: 18 mm
 Complete solution: 5/2 - 5/3 - 3/2+3/2
 Strong: metallic body

Available ATEX version upon request

CE II 3 GD c nA II T5 - 10°C ≤ Ta ≤ 45°C



TECHNICAL CHARACTERISTICS

Ambient temperature	-5 ÷ 50 °C
Fluid temperature	Max 50 °C
Fluid	10 µm filtered air, with or without lubrication
Commutation system	spool
Ways/Positions	5/2 - 5/3 - 3/2+3/2
Max Pressure	8 bar (electric control), 10 bar (pneumatic control)
Control	indirect electro-pneumatic, pneumatic
Return	mechanical spring, pneumomechanical spring, pneumatic amplified, electric amplified
Connections	G1/8
Nominal flow rate (NI/min)	800 (5/2) 720 (5/3) 720 (3/2+3/2)

CONSTRUCTIVE CHARACTERISTICS

Valve body	zamak
Seals	nitrile rubber (NBR)
Actuators	aluminium
Sub-base	technopolymer
	aluminium
Spool	aluminium

ELECTRIC CHARACTERISTICS

Electropilot	U06
Coil	DL series 17 mm
Voltage	12 V DC - 24 V DC - 24 V AC - 110 V AC - 230 V AC
Power consumption	2,5 W 5 VA
Protection degree	IP65
Manual override	impulse 1-2 positions

CODIFICATION KEY

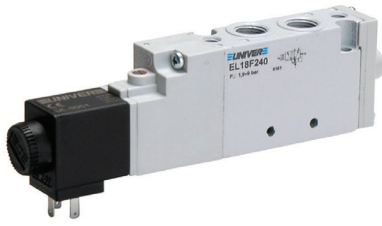
E	L	1	8	F	2	5	0		
		1	2	3	4	5	6		

1 Series EL18F = ESSENTIAL Valves 18 mm - G1/8	2 Type 2 = 5/2 6 = 3/2+3/2 NC-NC 3 = 5/3 c.c. 7 = 3/2+3/2 NC-NO 4 = 5/3 o.c. 8 = 3/2+3/2 NO-NO 5 = 5/3 p.c.	3 Control 14 3 = Pneumatic amplified 5 = Electrical amplified DC/AC
4 Return 12 0 = Pneumomechanical spring 1 = Mechanical spring 3 = Pneumatic amplified 5 = Electrical amplified DC/AC	5 Option D = External servo-assistance of the pilot	6 ATEX Option X = Atex (upon request) See ATEX Catalogue for types and versions

c.c. = closed centres o.c. = open centres p.c. = pressurized centres

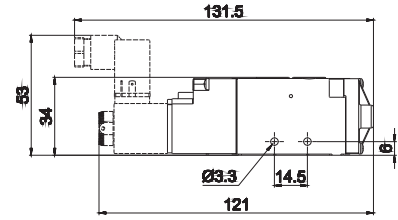
Subject to change

Single electric impulse



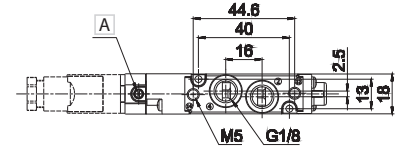
A Manual override

2 - 4 = Use
14 = Control
12 = Return

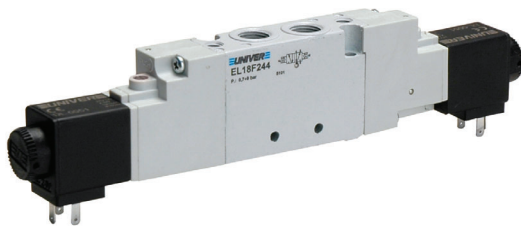


Weight (Kg): 0,168

	Symbol	Control	Return	Pressure bar	Resp. Time (ms)		Part no.
					En.	De-en.	
5/2		14 electric amplified	12 pneumo mechanical spring	1,9÷8	15	24	EL18F250
5/2		14 electric amplified	12 mechanical spring	2÷8	12	21	EL18F251

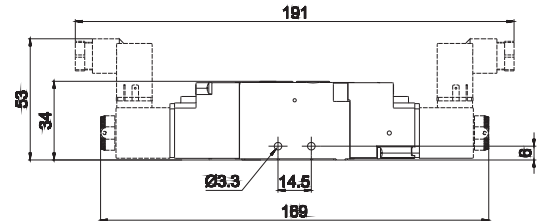


Double electric impulse



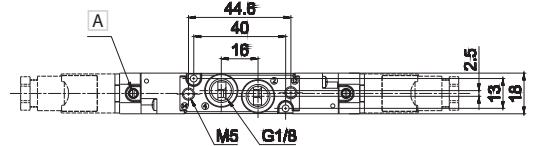
A Manual override

2 - 4 = Use
14 = Control
12 = Return



Weight (Kg): 0,192

	Symbol	Control	Return	Pressure bar	Resp. Time (ms)		Part no.
					En.	De-en.	
5/2		14 electric amplified	12 electric amplified	1÷8	11	11	EL18F255
5/3 c.c.		14 electric amplified	12 electric amplified	1,9÷8	11	35	EL18F355
5/3 o.c.		14 electric amplified	12 electric amplified	1,9÷8	11	35	EL18F455
5/3 p.c.		14 electric amplified	12 electric amplified	1,9÷8	11	35	EL18F555
3/2 NC + 3/2 NC		14 electric amplified	12 electric amplified	1,5÷8	14	16	EL18F655
3/2 NC + 3/2 NO		14 electric amplified	12 electric amplified	1,5÷8	14	16	EL18F755
3/2 NO + 3/2 NO		14 electric amplified	12 electric amplified	1,5÷8	14	16	EL18F855



c.c. = closed centres o.c. = open centres p.c. = pressurized centres

Solenoid valves are supplied without coil/connector/locking nut

Coil

- DL-0050 12 V DC 2,5 W
- DL-0051 24 V DC 2,5 W
- DL-0106 24 V AC 50/60 Hz 5 VA
- DL-0108 110 V AC 50/60 Hz 5 VA
- DL-0124 230 V AC 50/60 Hz 5 VA

Connector

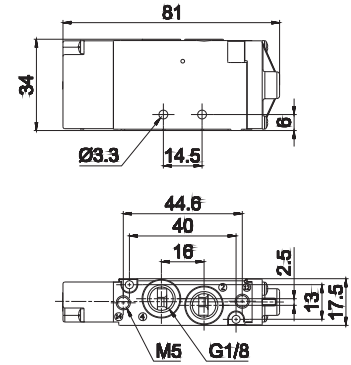
AM-5109

For technical characteristics see chapter 5 accessories

Single pneumatic impulse



2 - 4 = Use
14 = Control
12 = Return



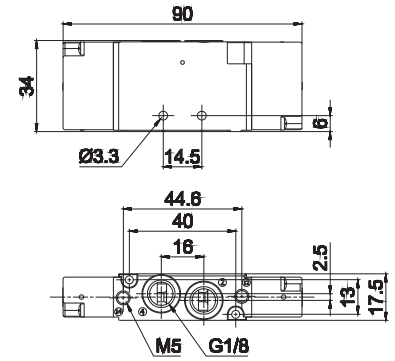
Weight (Kg): 0,149

	Symbol	Control	Return	Pressure bar	Resp. Time (ms)		Part no.
					14	12	
5/2		pneumatic amplified	pneumo mechanical spring	1,9÷10	11	15	EL18F230
5/2		pneumatic amplified	mechanical spring	2÷10	10	14	EL18F231

Double pneumatic impulse



2 - 4 = Use
14 = Control
12 = Return

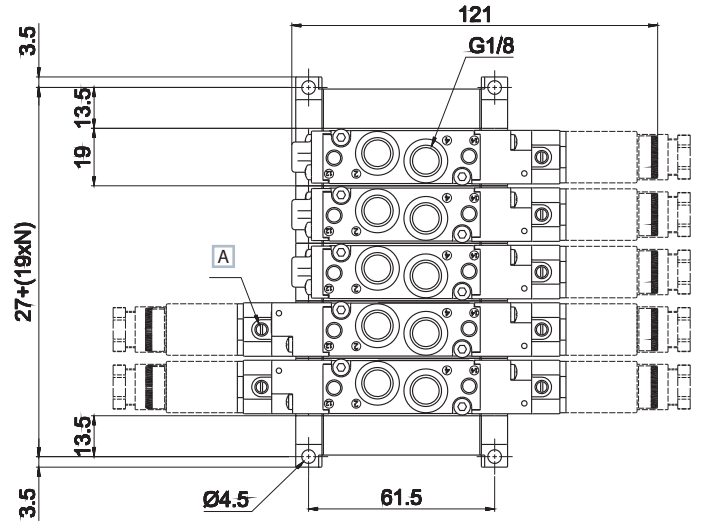
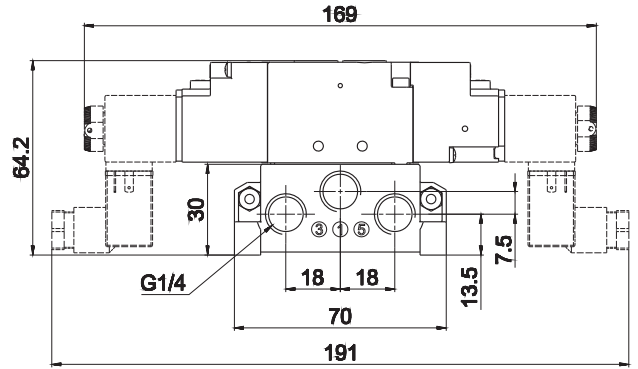
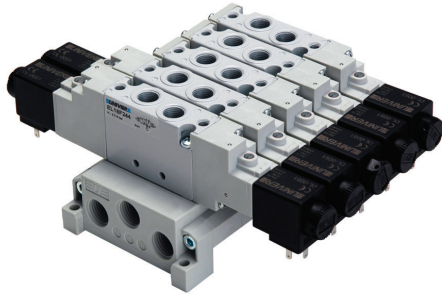


Weight (Kg): 0,154

	Symbol	Control	Return	Pressure bar	Resp. Time (ms)		Part no.
					14	12	
5/2		pneumatic amplified	pneumatic amplified	0,7÷10	10	10	EL18F233
5/3 c.c.		pneumatic amplified	pneumatic amplified	1,9÷10	9	21	EL18F333
5/3 o.c.		pneumatic amplified	pneumatic amplified	1,9÷10	9	21	EL18F433
5/3 p.c.		pneumatic amplified	pneumatic amplified	1,9÷10	9	21	EL18F533
3/2 NC + 3/2 NC		pneumatic amplified	pneumatic amplified	1,5÷10	10	14	EL18F633
3/2 NC + 3/2 NO		pneumatic amplified	pneumatic amplified	1,5÷10	10	14	EL18F733
3/2 NO + 3/2 NO		pneumatic amplified	pneumatic amplified	1,5÷10	10	14	EL18F833

c.c. = closed centres o.c. = open centres p.c. = pressurized centres

Modular sub-base in technopolymer

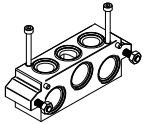


A Manual override

- 1 = Supply
 - 2 - 4 = Use
 - 3 - 5 = Exhaust
 - 14 = Control
 - 12 = Return
- N = Number of valve places

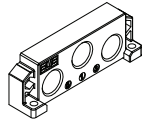
3

EL18SF300



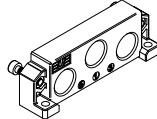
Sub-base 1 place (screw and seals are included)

EL18SF515



Left supply plate G1/4

EL18SF516



Right supply plate G1/4 (screws and seals are included)

EL18SF518



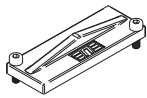
Fixing spring for DIN rail (screws are included)

EL18SF550



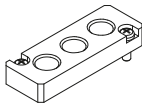
Pressure separator

EL18SF560



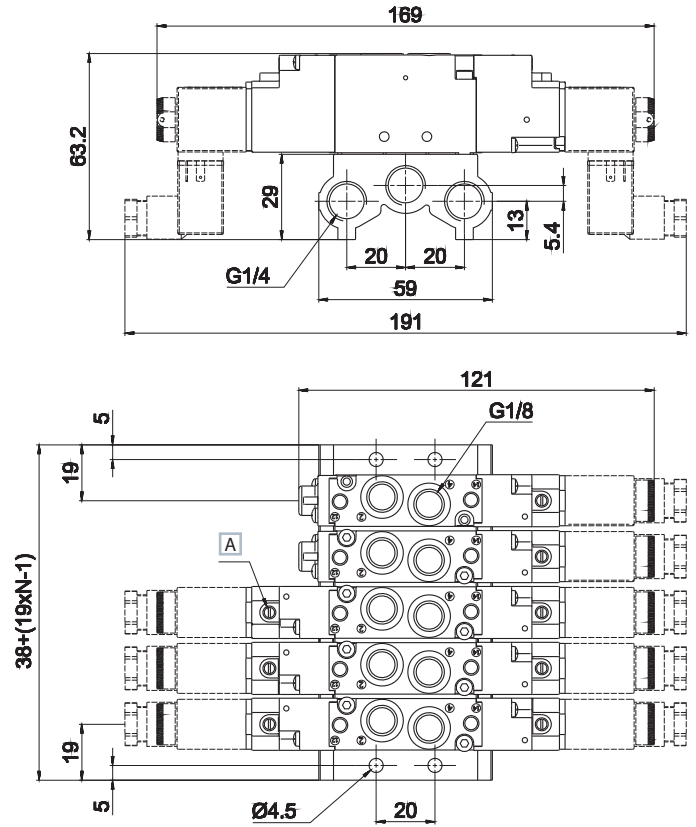
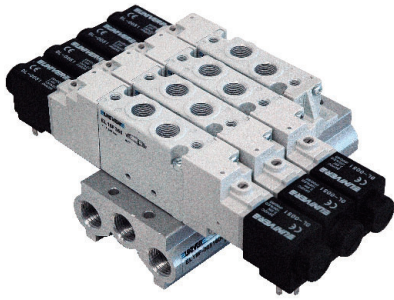
Closing plate for unused valve place (screws are included)

EL18SF570



Intermediate supply plate (screws are included)

Aluminum sub-base



A Manual override

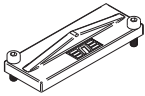
- 1 = Supply
- 2 - 4 = Use
- 3 - 5 = Exhaust
- 14 = Control
- 12 = Return

N = Number of valve places

Part No.	No. Positions
EL18SF900-02	2
EL18SF900-03	3
EL18SF900-04	4
EL18SF900-05	5
EL18SF900-06	6
EL18SF900-07	7
EL18SF900-08	8
EL18SF900-09	9
EL18SF900-10	10

The sub-base includes gaskets and screws for mounting valves

EL18SF560



Closing plate for unused valve place (screws are included)

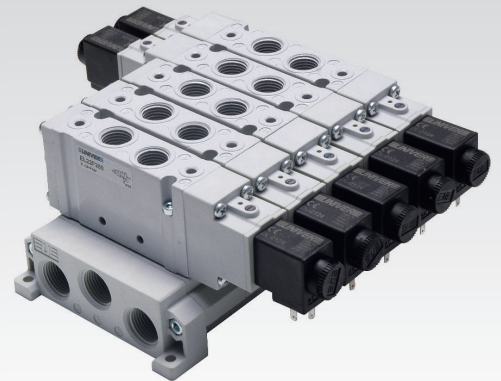
EL22F

ESSENTIAL valves 22 mm - G1/4

High flow rate: 1700 NI/min
 Reduced dimensions: 22 mm
 Complete solution: 5/2 - 5/3 - 3/2+3/2
 Strong: Metallic body

Available ATEX version upon request

CE II 3 GD c nA II T5 - 10°C ≤ Ta ≤ 45°C



TECHNICAL CHARACTERISTICS

Ambient temperature	-5 ÷ 50 °C
Fluid temperature	Max 50 °C
Fluid	10 µm filtered air, with or without lubrication
Commutation system	spool
Ways/Positions	5/2 - 5/3 - 3/2+3/2
Max Pressure	8 bar (electric control) 10 bar (pneumatic control)
Control	electro, pneumatic
Return	mechanical spring, pneumomechanical spring
Connections	G1/4
Nominal flow rate (NI/min)	1700 (5/2) 1450 (5/3) 1450 (3/2+3/2)

CONSTRUCTIVE CHARACTERISTICS

Valve body	aluminium
Seals	nitrile rubber (NBR)
Actuators	aluminium
Sub-base	technopolymer, aluminium
Spool	aluminium

ELECTRIC CHARACTERISTICS

Electropilot	U6
Coil	DL series 15 mm
Voltage	12 V DC - 24 V DC - 24 V AC - 110 V AC - 230 V AC
Power consumption	2,5 W 5 VA
Protection degree	IP65
Manual override	impulse 1-2 positions

CODIFICATION KEY

E	L	2	2	F	2	5	0		
		1	2	3	4	5	6		

1 Series EL22F = ESSENTIAL Valves 22 mm - G1/4	2 Type 2 = 5/2 3 = 5/3 c.c. 4 = 5/3 o.c. 5 = 5/3 p.c. 6 = 3/2+3/2 NC-NC 7 = 3/2+3/2 NC-NO 8 = 3/2+3/2 NO-NO	3 Control 14 3 = Pneumatic amplified 5 = Electrical amplified DC/AC
--	---	--

4 Return 12 0 = Pneumomechanical spring 1 = Mechanical spring 3 = Pneumatic amplified 5 = Electrical amplified DC/AC	5 Option D = External servo-assistance of the pilot	6 ATEX Option X = Atex (upon request) See ATEX Catalogue for types and versions
---	---	--

c.c. = closed centres o.c. = open centres p.c. = pressurized centres

Subject to change

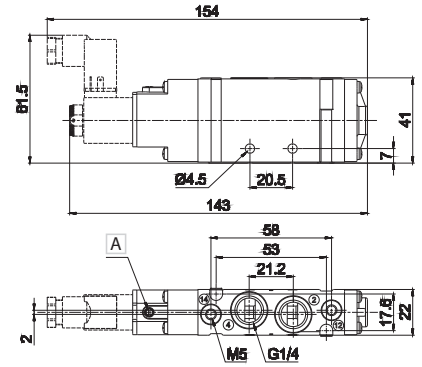
Single electric impulse



A Manual override

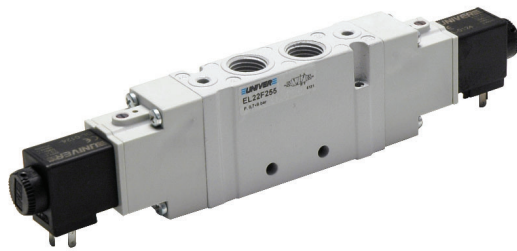
2 - 4 = Use
14 = Control
12 = Return

Weight (Kg): 0,208



	Symbol	Control	Return	Pressure bar	Resp. Time (ms)		Part no.
					En.	De-en.	
5/2		14	12	1,5÷8	15	24	EL22F250
5/2		14	12	1,9÷8	12	21	EL22F251

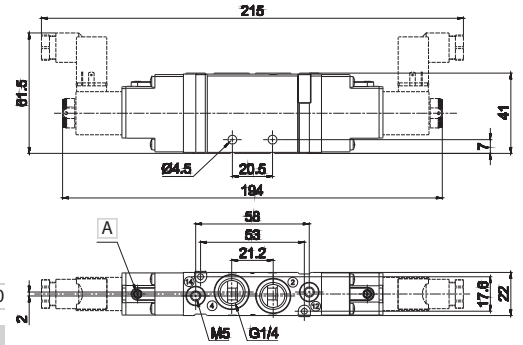
Double electric impulse



A Manual override

2 - 4 = Use
14 = Control
12 = Return

Weight (Kg): 0,210



	Symbol	Control	Return	Pressure bar	Resp. Time (ms)		Part no.
					En.	De-en.	
5/2		14	12	1,5÷8	16	16	EL22F255
5/3 c.c.		14	12	1,9÷8	11	35	EL22F355
5/3 o.c.		14	12	1,9÷8	11	35	EL22F455
5/3 p.c.		14	12	1,9÷8	11	35	EL22F555
3/2 NC + 3/2 NC		14	12	1,5÷8	14	16	EL22F655
3/2 NC + 3/2 NO		14	12	1,9÷8	14	16	EL22F755
3/2 NO + 3/2 NO		14	12	1,9÷8	14	16	EL22F855

c.c. = closed centres o.c. = open centres p.c. = pressurized centres

Solenoid valves are supplied without coil/connector/locking nut

Coil

- DL-0050 12 V DC 2,5 W
- DL-0051 24 V DC 2,5 W
- DL-0106 24 V AC 50/60 Hz 5 VA
- DL-0108 110 V AC 50/60 Hz 5 VA
- DL-0124 230 V AC 50/60 Hz 5 VA

Connector

AM-5109

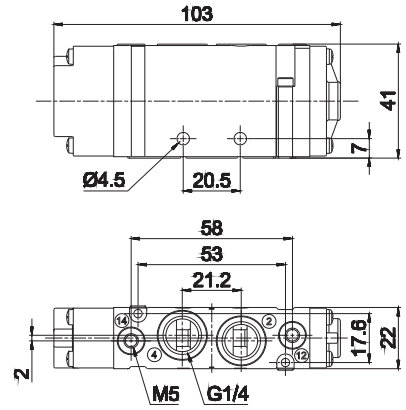
For technical characteristics see chapter 5 accessories

3

Single pneumatic impulse



2 - 4 = Use
14 = Control
12 = Return



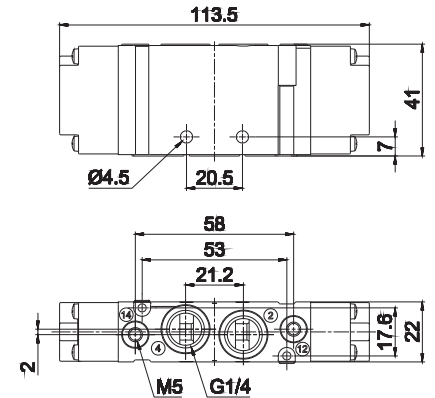
Weight (Kg): 0,042

	Symbol	Control	Return	Pressure bar	Resp. Time (ms)		Part no.
					En.	De-en.	
5/2		14 pneumatic amplified	12 pneumo mechanical spring	1,9÷10	11	15	EL22F230
5/2		14 pneumatic amplified	12 mechanical spring	2÷10	10	14	EL22F231

Double pneumatic impulse



2 - 4 = Use
14 = Control
12 = Return

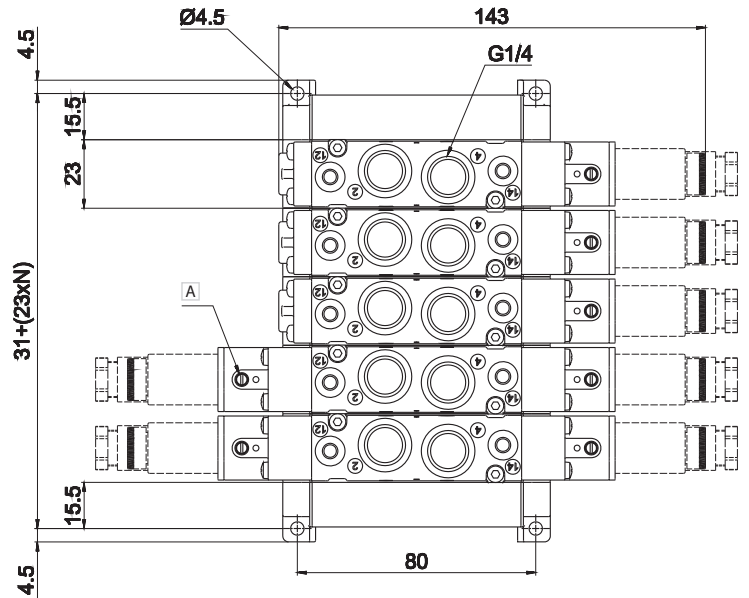
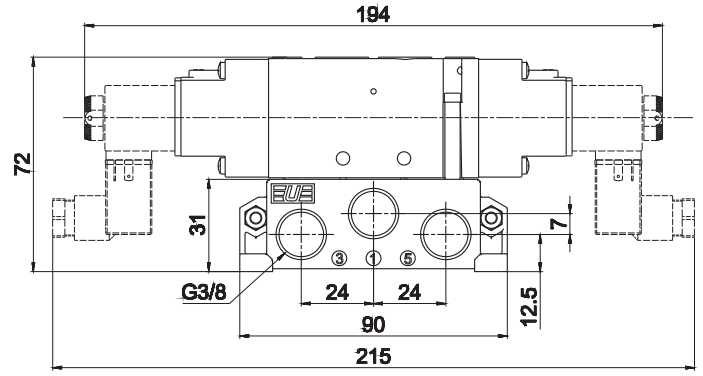
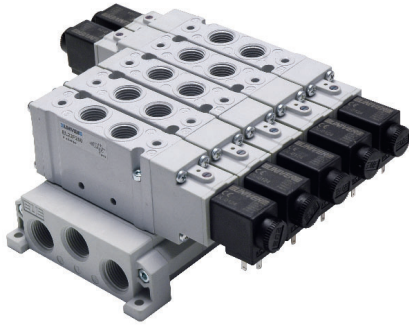


Weight (Kg): 0,044

	Symbol	Control	Return	Pressure bar	Resp. Time (ms)		Part no.
					En.	De-en.	
5/2		14 pneumatic amplified	12 pneumatic amplified	0,7÷10	10	10	EL22F233
5/3 c.c.		14 pneumatic amplified	12 pneumatic amplified	1,6÷10	9	21	EL22F333
5/3 o.c.		14 pneumatic amplified	12 pneumatic amplified	1,6÷10	9	21	EL22F433
5/3 p.c.		14 pneumatic amplified	12 pneumatic amplified	1,6÷10	9	21	EL22F533
3/2 NC + 3/2 NC		14 pneumatic amplified	12 pneumatic amplified	1,3÷10	10	14	EL22F633
3/2 NC + 3/2 NO		14 pneumatic amplified	12 pneumatic amplified	1,3÷10	10	14	EL22F733
3/2 NO + 3/2 NO		14 pneumatic amplified	12 pneumatic amplified	1,3÷10	10	14	EL22F833

c.c. = closed centres o.c. = open centres p.c. = pressurized centres

Modular sub-base in technopolymer



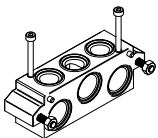
A Manual override

- 1 = Supply
- 2 - 4 = Use
- 3 - 5 = Exhaust
- 14 = Control
- 12 = Return

N = Number of valve places

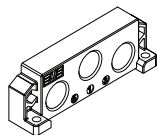
3

EL22SF300



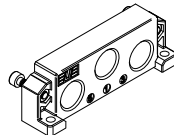
Sub-base 1 place (screws and seals are included)

EL22SF515



Left supply plate G3/8

EL22SF516



Right supply plate G3/8 (screws and seals are included)

EL18SF518



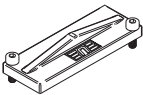
Fixing spring for DIN rail (screws are included)

EL22SF550



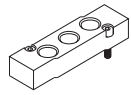
Pressure separator

EL22SF560



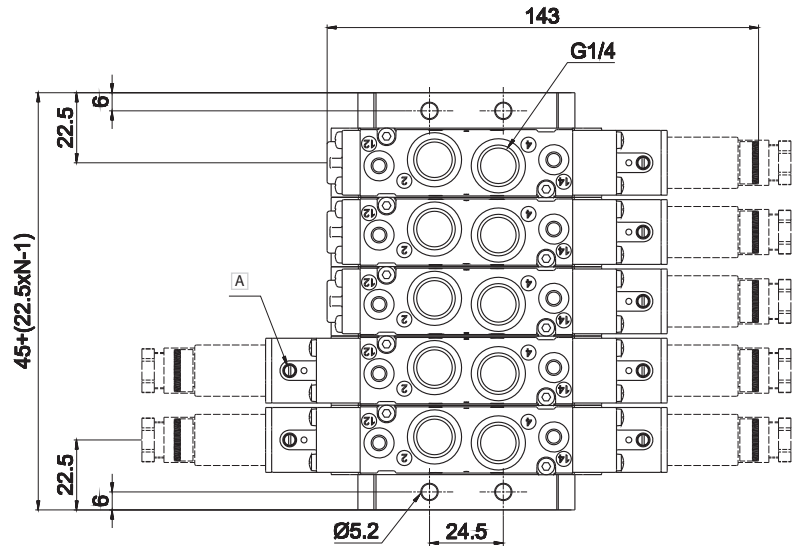
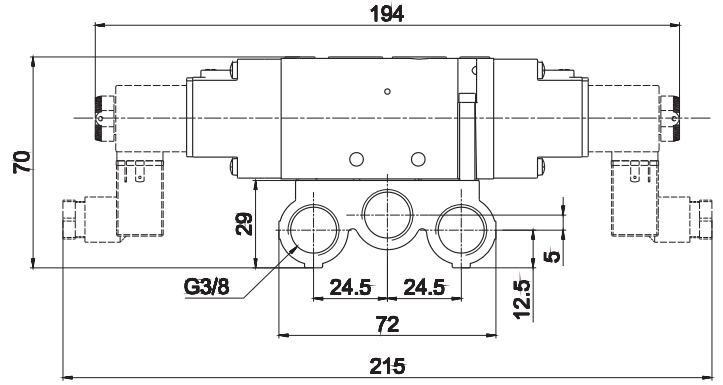
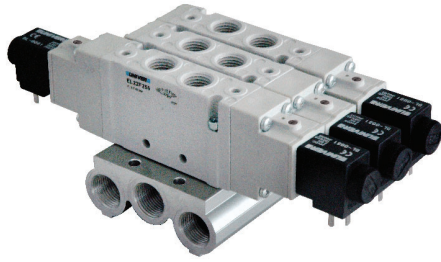
Closing plate for unused valve place (screws are included)

EL22SF570



Intermediate supply plate (screws are included)

Aluminum sub-base



A Manual override

- 1 = Supply
- 2 - 4 = Use
- 3 - 5 = Exhaust
- 14 = Control
- 12 = Return

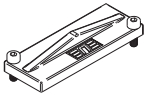
N = Number of valve places

Part No.	No. Positions
EL22SF900-02	2
EL22SF900-03	3
EL22SF900-04	4
EL22SF900-05	5
EL22SF900-06	6
EL22SF900-07	7
EL22SF900-08	8
EL22SF900-09	9
EL22SF900-10	10



The sub-base includes gaskets and screws for mounting valves

EL22SF560



Closing plate for unused valve place (screws are included)