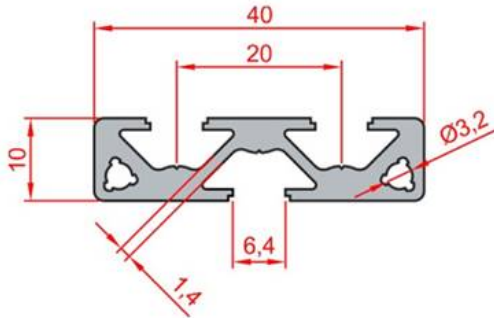


10X40 SURFACE COATING PROFILE



General Specifications

A profile designed for small-size requirements within surface coating profiles.

In applications within limited space, it is possible to provide required options and to create units where smaller system elements can be easily attached.

Stock Code	Stock Name	External Dimensions	Material	L(mm)	Ix	Iy	Wx	Wy	Area	Mass
1.1.06.010040.07	10x40 Surface Coating Profile	10X40	6063 T5	6000	3,37 cm ⁴	0,20 cm ⁴	1,68 cm ³	0,40 cm ³	2,04 cm ²	0,55 Kg/m