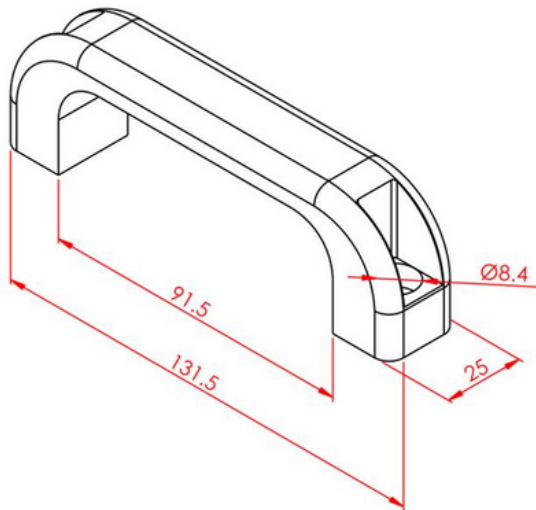


PLASTIC HANDLE



General Specifications

This is a connection accessory that provides holding surface for opening and closing of movable parts.
Ensures stylish view together with other accessories applied on constructions.

Stock Code	Stock Name	Material	Weight (gr)
2.3.008.00	Plastic Handle	Plastic	44,5