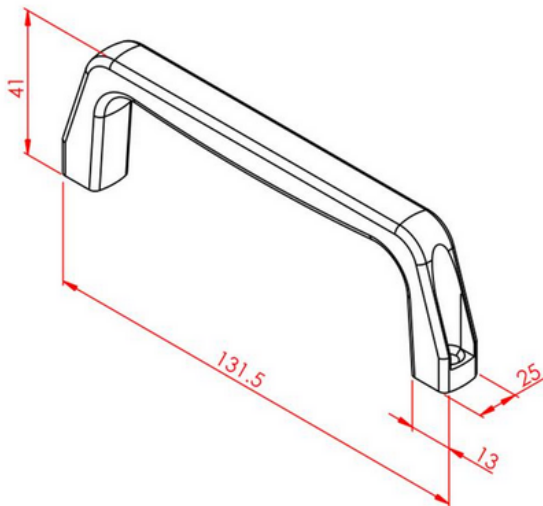


PLASTIC HANDLE THIN SERIES TYPE



General Specifications

Thin series are connection accessories that enable holding for opening and closing movable components made of larger profile. They ensure stylish view together with other accessories applied on constructions.

Stock Code	Stock Name	Material	Weight (gr)
2.3.008.03	Plastic Handle Thin Series Type	Plastic	25