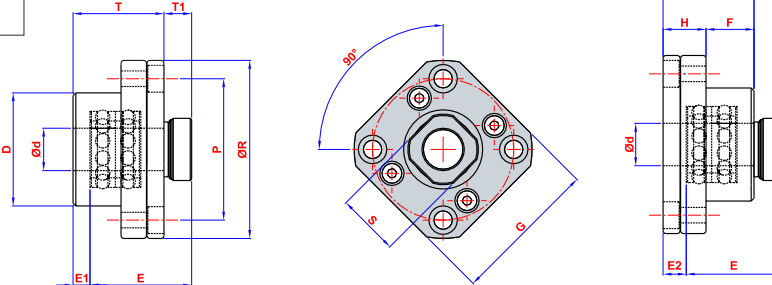




FK SERIES

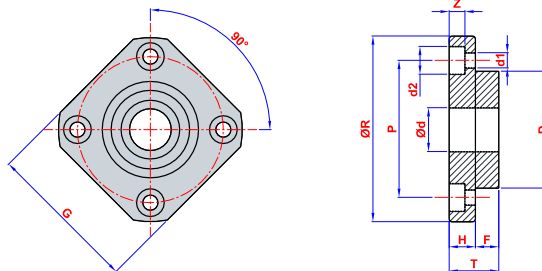


Code	Type	Dimensions (mm)											Set A		Set B		
		Ød	R	G	T	H	F	D	E	P	d1	d2	S	T1	E1	T2	E2
4.021.01.10.02	FK 10	10	52	42	27	10	17	34	17	42	4.5	8	15.8	7.3	5	8.5	6
4.021.01.12.02	FK 12	12	54	44	27	10	17	36	17	44	4.5	8	19	7.3	5	8.5	6
4.021.01.15.02	FK 15	15	63	52	32	15	17	40	17	50	5.5	9.5	22	10	6	12	8
4.021.01.20.02	FK 20	20	85	68	52	22	30	57	30	70	6.6	11	30	10	10	12	14
4.021.01.25.02	FK 25	25	98	79	57	27	30	63	30	80	9	15	35	13	10	20	16.5
4.021.01.30.02	FK 30	30	117	93	62	30	32	75	32	95	11	17.5	40	11	12	17.5	17.6

Preferred Using Areas

One side of the ballscrew fits to the ballscrew support unit with jam nut. That way, axial and radial loads are provided.

FF SERIES

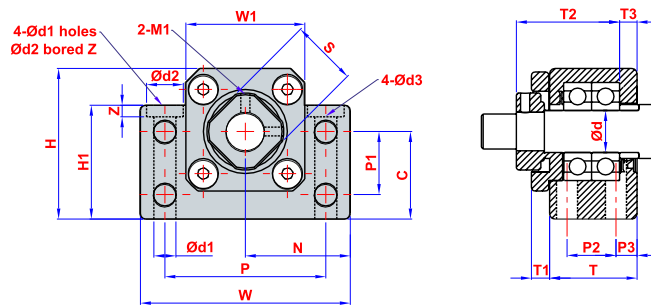


Code	Type	Dimensions (mm)										
		Ød	R	G	T	H	F	D	P	d1	d2	Z
4.021.01.10.03	FF 10	8	43	35	12	7	5	28	35	3.4	6	3.4
4.021.01.12.03	FF 12	10	52	42	15	7	8	34	42	4.2	8	4.4
4.021.01.15.03	FF 15	15	63	52	17	9	8	40	50	5.2	9.5	5.4
4.021.01.20.03	FF 20	20	85	68	20	11	9	57	70	6.3	11	6.5
4.021.01.25.03	FF 25	25	98	79	24	14	10	63	80	8.7	14	8.6
4.021.01.30.03	FF 30	30	117	93	27	18	9	75	95	10.7	17.5	10.8

Preferred Using Areas

Shaft End fixing provided radially on one side, Other side remains free, therefore shaft length can be adjusted easily. And In case of temperature changes, it can respond the lengthen and shorten.

BK SERIES

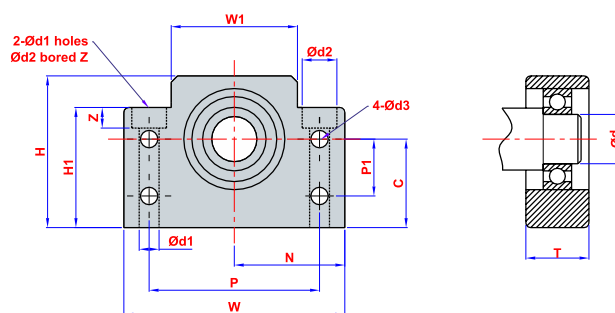


Code	Type	Dimensions (mm)																		
		Ød	T	T1	T2	T3	W	W1	H	H1	N	C	P	P1	P2	P3	Ød1	Ød2	Z	Ød3
4.021.02.10.02	BK 10	10	25	5	29.5	5	60	34	39	32.5	30	22	46	13	13	6	6.3	10.5	1.5	5.5
4.021.02.12.02	BK 12	12	25	5	29.5	5	60	34	42	32.5	30	25	46	18	13	6	6.3	10.5	1.5	5.5
4.021.02.15.02	BK 15	15	27	6	32	6	70	38	47	38	35	28	54	18	15	6	6.3	10.5	6.5	5.5
4.021.02.17.02	BK 17	17	35	9	44	7	86	48	63	55	43	39	68	28	19	8	8.7	14	8.6	6.6
4.021.02.20.02	BK 20	20	35	8	45	8	88	50	59	50	44	34	70	22	19	8	8.7	14	8.5	6.6
4.021.02.25.02	BK 25	25	42	12	54	9	106	62	79	70	53	48	85	33	22	10	10.7	17.5	10.8	9
4.021.02.30.02	BK 30	30	45	14.2	61	9	128	74	88	78	64	51	102	33	23	11	13.7	20	13	11
4.021.02.40.02	BK 40	40	61	18.2	76	15	160	98	109	90	80	60	130	37	23	14	17.7	26	17.5	14

Preferred Using Areas

One side of the ballscrew fastens to the ballscrew support unit with jam nut. That way, axial and radial loads are provided. Precise positioning during the movement is fulfilled by this ballscrew support unit.

BF SERIES



Code	Type	Dimensions (mm)													
		Ød	T	W	W1	H	H1	P	P1	Ød1	Ød2	Z	Ød3	N	C
4.021.02.10.01	BF 10	8	20	60	34	39	32.5	46	15	6.3	10.5	5	5.5	17	22
4.021.02.12.01	BF 12	10	20	60	34	43	32.5	46	18	6.3	10.5	1.5	5.5	30	25
4.021.02.15.01	BF 15	15	20	70	40	48	38	54	18	6.3	10.5	6.5	5.5	35	28
4.021.02.17.01	BF 17	17	23	86	50	64	55	68	28	8.7	14	8.6	6.6	43	39
4.021.02.20.01	BF 20	20	26	88	52	60	50	70	22	8.7	14	8.6	6.6	44	34
4.021.02.25.01	BF 25	25	30	106	64	80	70	85	33	10.7	17.5	11	9.3	53	48
4.021.02.30.01	BF 30	30	32	128	76	89	78	102	33	13.7	20	12.5	11	64	51
4.021.02.40.01	BF 40	40	37	160	100	109	90	130	37	17.7	26	17.5	14	80	60

Preferred Using Areas

Shaft end fixed radially and free axially. Thus, There wont be unnecessary tension problems. Therewithal, the stretching or contraction of the shaft can be consisted because of the thermal expansion is resolved.