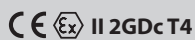


# PM

## Ø 16 ÷ 25 mm - ISO 6432 Stainless steel pneumatic cylinders

- Stainless steel AISI 304
- Double acting versions
- Through piston rod and adjustable cushionings versions
- Execution with or without magnet

Available ATEX version upon request



### TECHNICAL CHARACTERISTICS

Ambient temperature	0 ÷ 80 °C (-20 °C with dry air)
Fluid	compressed air, filtered air, not lubricated
Working pressure	1 ÷ 10 bar
Bores	Ø 16 - 20 - 25 mm

### CONSTRUCTIVE CHARACTERISTICS

End-caps	stainless steel AISI 304
Barrel	stainless steel AISI 304
Piston	brass
Piston rod	stainless steel AISI 304
Piston seal	polyurethane
Guide bush for piston rod	sintered bronze
Shock absorber seals	neoprene
Magnet	plastroferrite
Nut	stainless steel AISI 304
O-Ring	nitrile rubber (NBR)

### CODIFICATION KEY

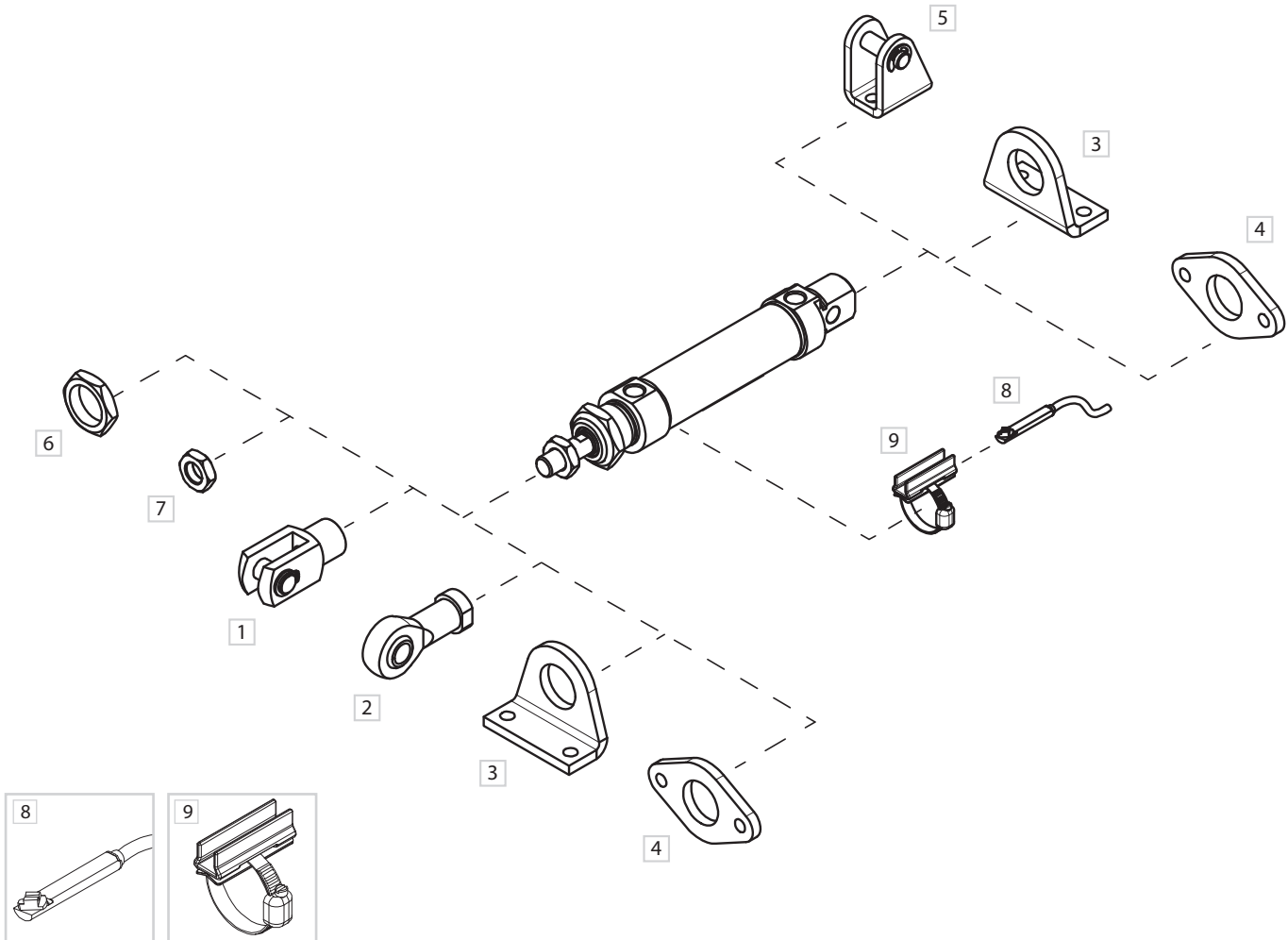
P	M	3	0	0	0	1	6	0	0	1	0	M	
1	2	3	4				5			6	7		

1 Series	2 Type	3 Version	4 Bore (mm)
<b>PM</b> = Ø 16 ÷ 25 mm - ISO 6432 Stainless steel pneumatic cylinders	<b>3</b> = Male piston rod	<b>00</b> = <b>D.A.</b> Standard <b>01</b> = <b>D.A.</b> Through piston rod <b>50</b> = <b>D.A.</b> With adjustable cushionings (Ø25) <b>51</b> = <b>D.A.</b> Through piston rod with adjustable cushionings (Ø25)  <b>D.A.</b> = Double acting	<b>016</b> = Ø16 <b>020</b> = Ø20 <b>025</b> = Ø25

5 Stroke (mm)	6 Magnetic	7 ATEX option
<b>0010</b> = 10 <b>0160</b> = 160 <b>0025</b> = 25 <b>0200</b> = 200 <b>0050</b> = 50 <b>0250</b> = 250 <b>0080</b> = 80 <b>0320</b> = 320 <b>0100</b> = 100 <b>0400</b> = 400 <b>0125</b> = 125 <b>0500</b> = 500	<b>M</b> = Magnetic version (standard supplied)	<b>X</b> = Atex (upon request)  <b>For types and versions please contact our Sales Office</b>

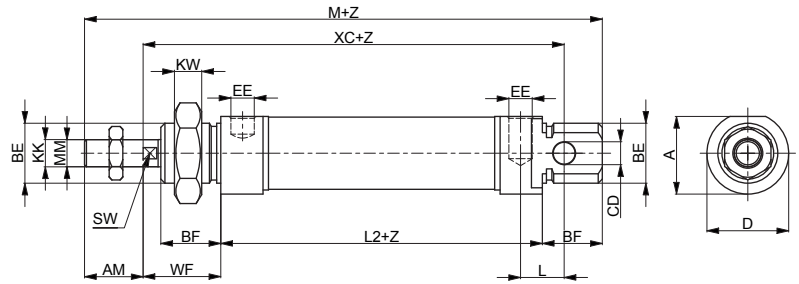
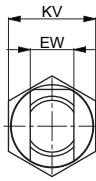
Version with high temperature seals (Max 150°C) available upon request.

Fixing elements and accessories



DESCRIPTION	NOTE	PART NO.
1 Female fork with pin	Stainless steel	MF/KF-15__PI
2 Articulated self-lubricating fork	Stainless steel	MF/KF-17__I
3 Angle bracket (MS3)	Stainless steel	MF-13__I
4 Flange (MF8)	Stainless steel	MF-12__I
5 Rear female hinge	Stainless steel	MF-21__I
6 End-cap nut	Stainless steel	MF-20__I
7 Piston rod nut	Stainless steel	MF-16__I
8 DF sensor	-	DF-P700L06
9 DF bracket and adapter	Stainless steel	DH-P__DFI

### Double acting

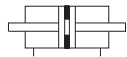


**PM300**  
D.A. Standard

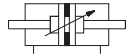


**PM350**  
D.A. with adjusting cushionings

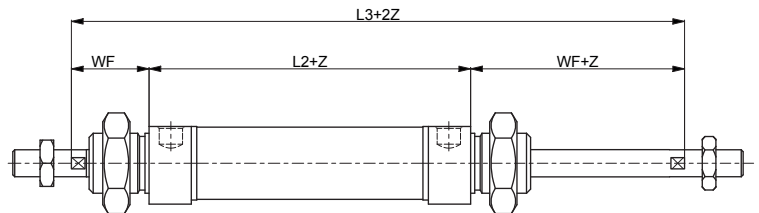
### Double acting through piston rod



**PM301**  
D.A. Through piston rod



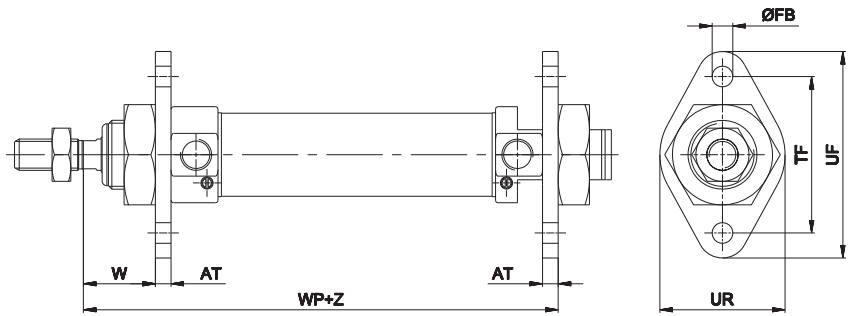
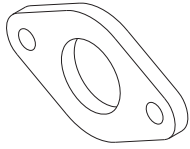
**PM351**  
D.A. Through piston rod  
with adjustable cushionings



Z= Stroke

Ø	AM	A	BE	BF	CD	D	EE	EW	KK	KV
						H 9			d 13	
16	16	18	M16x1,5	18	6	19	M5x0,8	12	M6x1	22
20	20	25,5	M22x1,5	20	8	27	G1/8	16	M8x1,25	27
25	22	28,5	M22x1,5	22	8	30	G1/8	16	M10x1,25	27
Ø	KW	L	L2	L3	ØMM	M	SW	WF	XC	
								± 1,2	± 1	
16	8	9	53	97	6	109	5	22	82	
20	11	12	67	115	8	131	7	24	95	
25	11	12	68	124	10	140	9	28	104	

Flange (MF8)

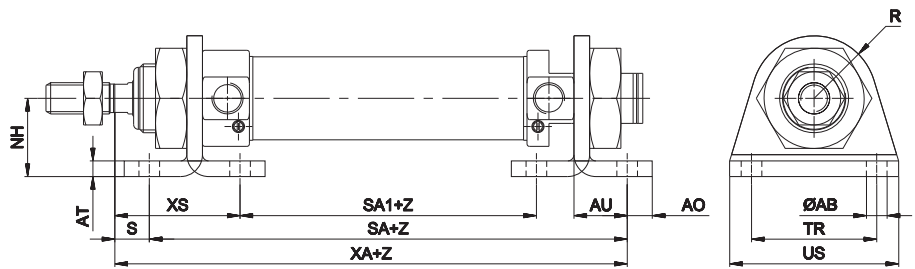
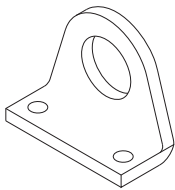


Material: Stainless steel AISI 304

Z = Stroke

Ø	AT	ØFB	TF	UF	UR	W	WP	Part no.
		H13	Js14			± 1,4		
16	4	5,5	40	53	30		79	MF-12012I
20	5	6,6	50	66	40	19	96	MF-12020I
25	5	6,6	50	66	40	23	101	

Angle bracket (MS3)

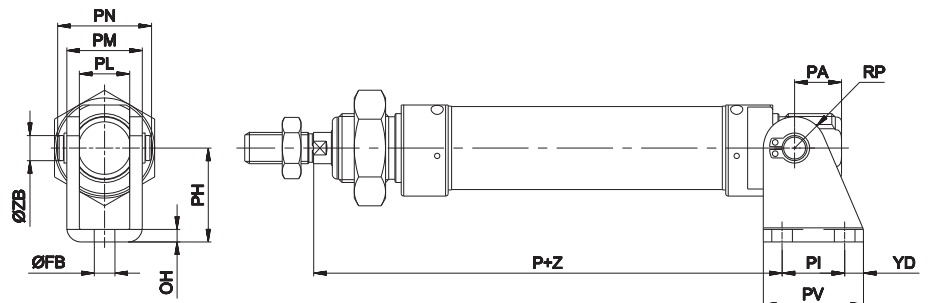
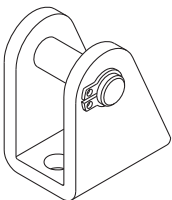


Material: Stainless steel AISI 304

Z = Stroke

Ø	AB	AO	AT	AU	NH	R	S	SA	SA1	TR	US	XA	XS	Part no.
	H13			+0,3 0	±0,3					Js14			±1,4	
16	5,5	6	4	14	20	13	8	81	33	32	42	89	32	MF-13012I
20	6,6	8	5	17	25	20	7	101	43	40	54	108	36	MF-13020I
25	6,6	8	5	17	25	20	11	102	44	40	54	113	40	

Rear female hinge



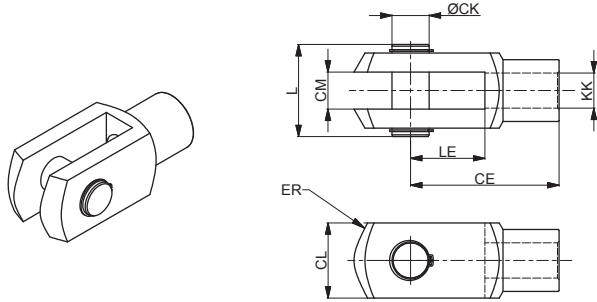
Including bolt and 2 circlips

Material: Stainless steel AISI 304

Z = Stroke

Ø	FB	OH	P	PA	PH	PI	PL	PM	PN	PV	RP	YD	ZB	Part no.
	H13					E9						f8		
16	5,5	3	80	13	27	15	12,1	18,1	23	25	7	5	6	MF-21012I
20	6,6	4	91	16	30	20	16,1	24,1	30	32	10	6	8	MF-21020I
25	6,6	4	100	16	30	20	16,1	24,1	30	32	10	6	8	

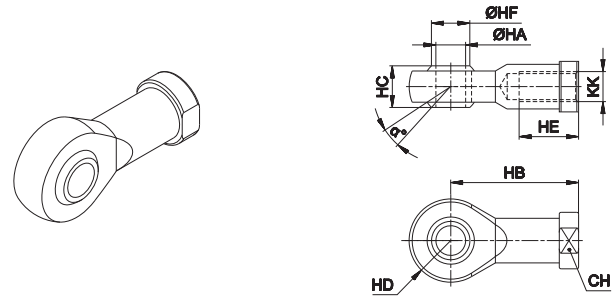
Female fork with pin



Material: Stainless steel AISI 303 (Ø16-20) 304 (Ø25)

Ø	CE	CK	CL	CM	ER	KK	L	LE	Part no.
16	24	6	12	6	7	M6x1	16	12	MF-15012PI
20	32	8	16	8	10	M8x1,25	22	16	MF-15020PI
25	40	10	20	10	16	M10x1,25	26	20	KF-15032PI

Articulated self-lubricating fork



Material: Stainless steel AISI 303 (Ø16-20) 304 (Ø25)

Ø	α°	CH	KK	HA	HB	HC	HD	HE	HF	Part no.
16	13°	11	M6x1	6	30	9	10	12	9	MF-17012I
20	14°	14	M8x1,25	8	36	12	12	16	10,4	MF-17020I
25	13°	17	M10x1,25	10	43	14	14	20	12,9	KF-17032I

Piston rod nut



Material: Stainless steel AISI 304

Ø	KK	KV	KW	Part no.
16	M6x1	10	4	MF-16012I
20	M8x1,25	13	5	MF-16020I
25	M10x1,25	17	6	KF-16032I

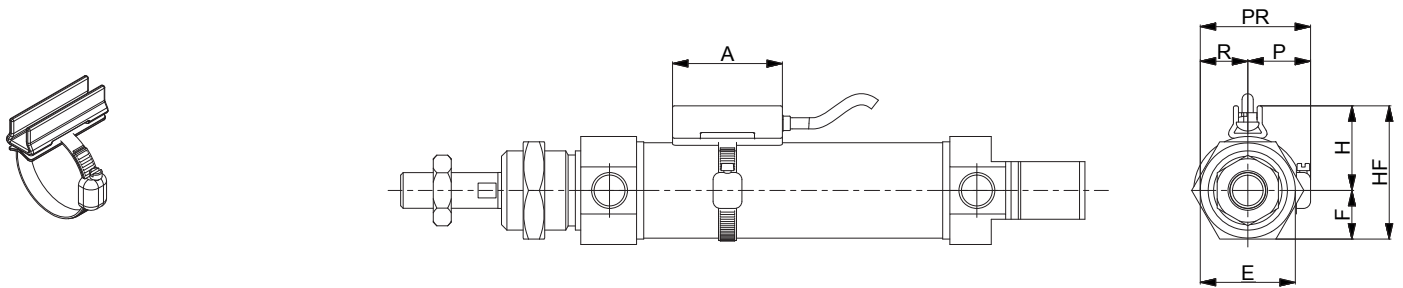
End-cap nut



Material: Stainless steel AISI 303

Ø	BE	KV1	KW1	Part no.
16	M16x1,5	24	8	MF-20012I
20	M22x1,5	32	10	MF-20020I

DF bracket

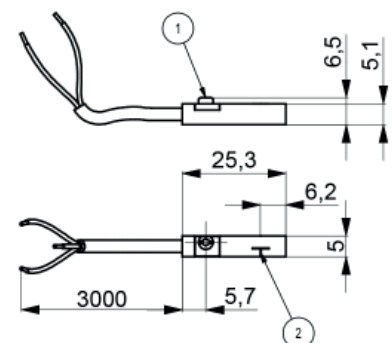


Material: Stainless steel AISI 303

Ø	A	E	F	H	HF	P	R	PR	Part no.
16	34	22	11	18	29	17	11	28	DH-P016020DFI
20	34	24	12	20	32	17	12	29	
25	34	32	16	23	39	19	16	35	DH-P025032DFI

For DF sensors see accessories section

DF sensor



1	2	Part no.
fixing eccentric	active sensing face	DF-P700L06