

HZRS

Microregulator for air

- Modern design
- Compact construction
- Aluminium body
- Panel or in-line mounting
- Piston construction with relieving



TECHNICAL CHARACTERISTICS

Ambient temperature	-10 ÷ 50 °C
Max working pressure	10 bar
Fluid-relieving version	filtered air, with or without lubrication, neutral gases
Pressure adjustment (A)	1 ÷ 8 bar
Connections	G1/4
Pressure gauge connections	G1/8
Nominal flow rate (B)	320 NI/min

CONSTRUCTION CHARACTERISTICS

Body	aluminium
Knob	technopolymer
Bonnet	technopolymer
Spring	steel
Diaphragm	NBR

CODIFICATION KEY

H	Z	R	S	0	8	G	
1		2		3			

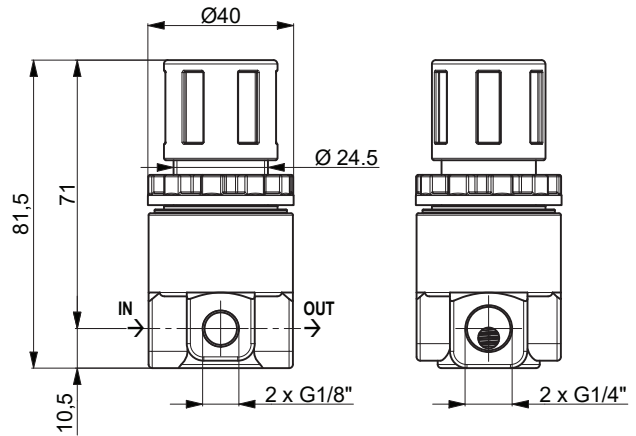
1 Series	2 Connection	3 Version
HZRS = Pressure Microregulator for air	08G = G1/4	_ = with relieving (standard)

(A) = Different adjustment range upon request
 (B) = Inlet pressure 6 bar, outlet pressure 5 bar, Δp 1 bar

Ring nut for panel mounting included

Subject to change

HZRS



Symbol	Max pressure bar	Connections	Body	Weight Kg	Part.no.
	10	G1/4	aluminium	0,15	HZRS08G

HZE0Z603

HZE0Z310



4

Ring nut for panel
HZE0Z603 Technopolymer

Regulator L-bracket
HZE0Z310 Nickel-plated steel

Special version:
Microregulator for high pressure

