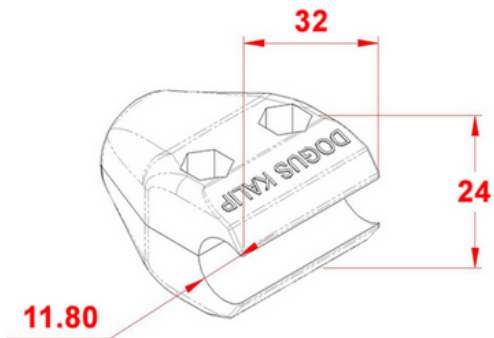


SINGLE SHAFT HOLDER Ø12



General Specifications

Single holders preferred for connecting side barrier shafts on conveyor systems.

Stock Code	Stock Name	Material	Weight (gr)
3.006.210.000.012	Single Shaft Holder Ø12	Plastic	24