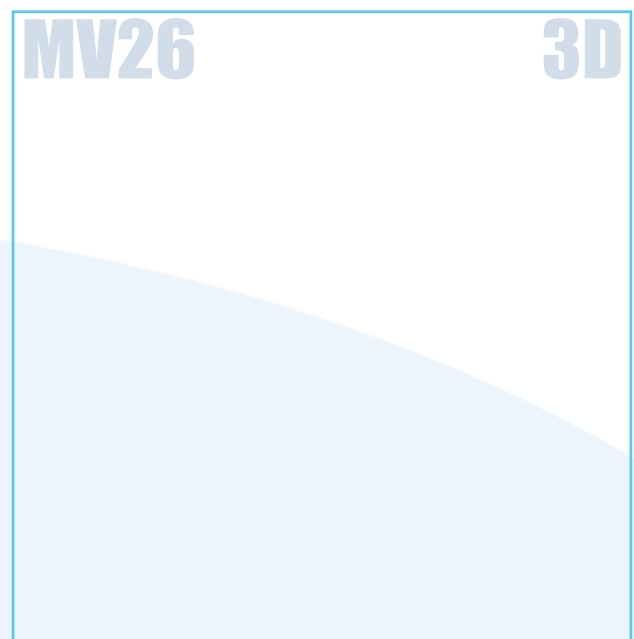
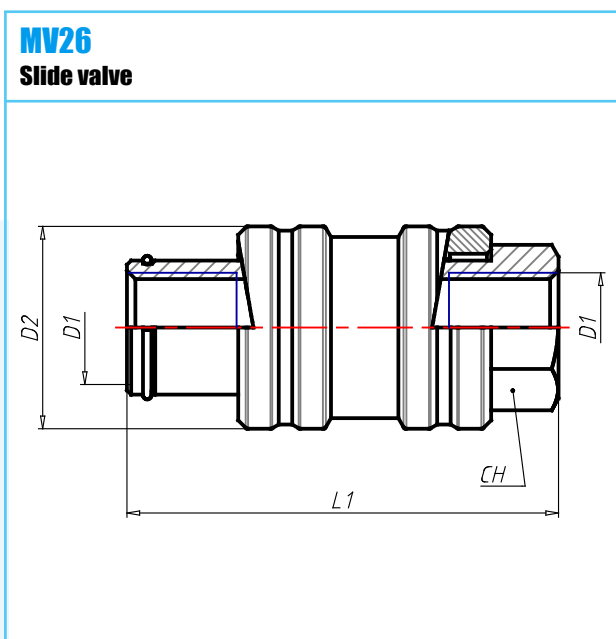


Material: Brass Chrome Plated
Working Temperature: 0 ÷ 70 C°
Working Temperature: 0 ÷ 10 F°
Working Pressure (max): 0 ÷ 10 bar
Working Pressure (max): psi
Vacuum: kPa
Vacuum: Hg
Conformity:

Conformity:
Conformity:
Conformity:
Conformity:
Application Pneumatic installations fed with filtered, lubricated air



CODE	TIPO	D1	D2	L1	CH	G	CONF
4160000	MV26 00 M5	M5x0,8	13	30.5	9	10.3	RoHS
4160001	MV26 00 18	G1/8	21	46.0	14	40.0	RoHS
4160002	MV26 00 14	G1/4	24	51.5	17	57.7	RoHS
4160003	MV26 00 38	G3/8	31	59.0	22	117.2	RoHS
4160004	MV26 00 12	G1/2	35	72.5	26	175.5	RoHS