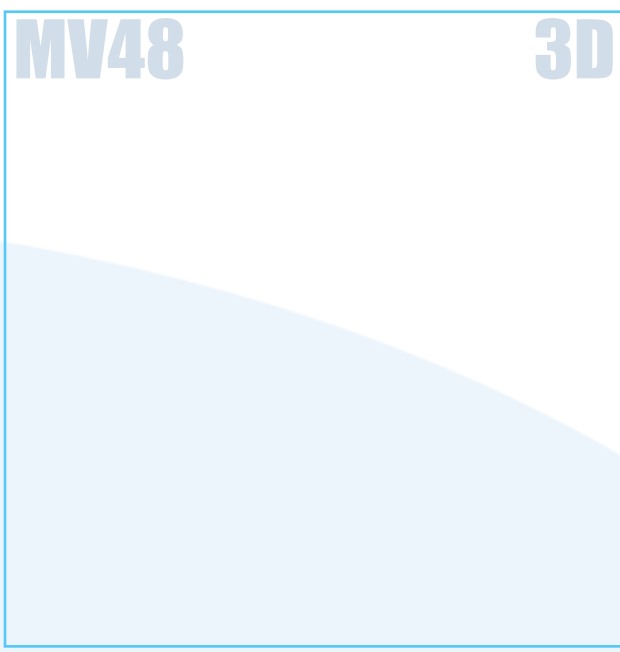
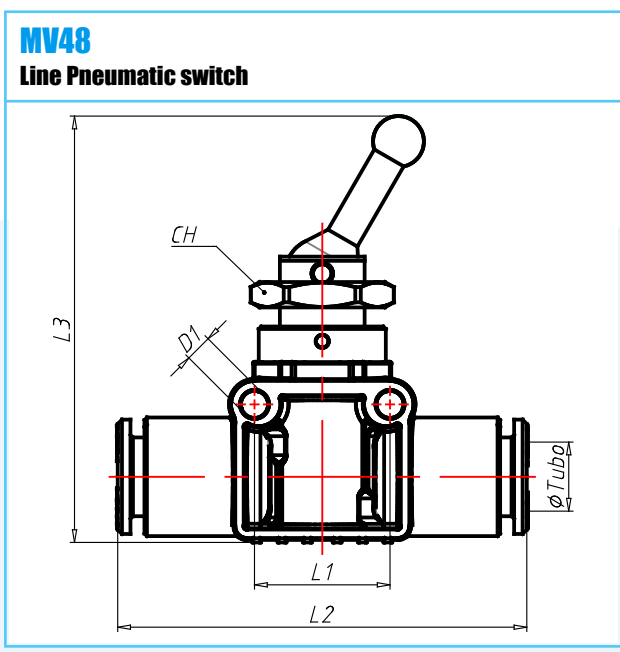


Material: POM
Working Temperature: -10 ÷ 70 C°
Working Temperature: F°
Working Pressure (max): 15 bar
Working Pressure (max): psi
Vacuum: kPa
Vacuum: Hg
Conformity:

Conformity:
Conformity:
Conformity:
Conformity:
Application Pneumatic installations fed with filtered, lubricated air



CODE	TIPO	TUBO	D1	L1	L2	L3	CH	G	VER	CONF
04383030-2	MV48 06 06	6	3.2	16	45	49	15	30.0	2/2 way	RoHS
04383030-3	MV48 06 06	6	3.2	16	45	49	15	30.0	3/2 way	RoHS
04384040-2	MV48 08 08	8	3.2	16	46	50	15	31.5	2/2 way	RoHS
04384040-3	MV48 08 08	8	3.2	16	46	50	15	31.5	3/2 way	RoHS