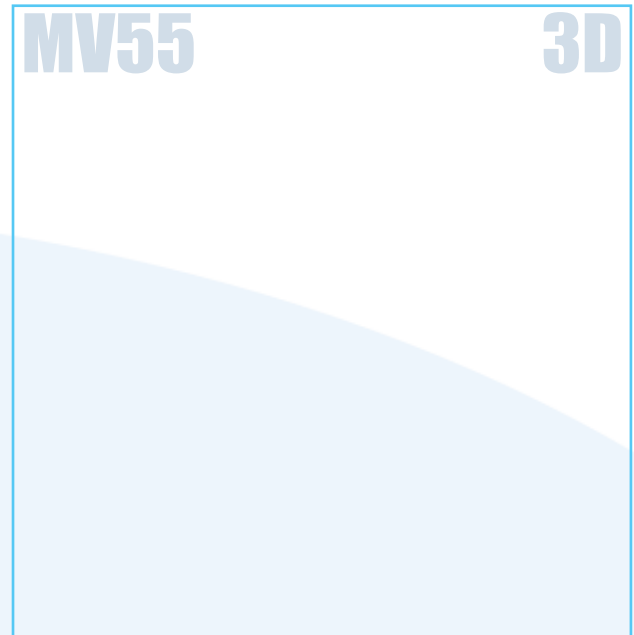
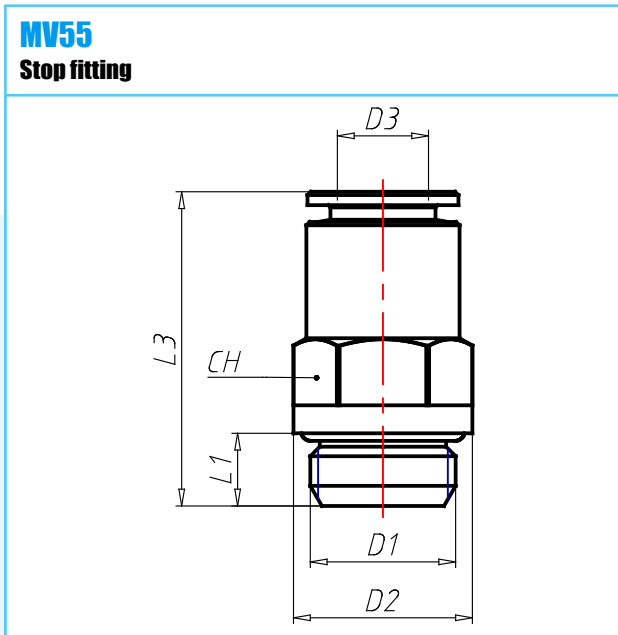


**Material:** Brass Nickel Plated  
**Working Temperature:** -20 ÷ 70 C°  
**Working Temperature:** F°  
**Working Pressure (max):** 10 bar  
**Working Pressure (max):** psi  
**Vacuum:** kPa  
**Vacuum:** Hg  
**Conformity:**

**Conformity:**  
**Conformity:**  
**Conformity:**  
**Conformity:**  
**Application** Pneumatic installations fed with filtered, lubricated air



CODE	TIPO	D1	D2	D3	L1	L2	CH	G	CONF
4450031	MV55 06 18	G1/8	13.5	6	5.0	27.0	12	15	RoHS
4450032	MV55 06 14	G1/4	16.0	6	6.5	27.0	12	18	RoHS
4450041	MV55 08 18	G1/8	13.5	8	5.0	27.5	13	18	RoHS
4450042	MV55 08 14	G1/4	16.0	8	6.5	27.5	13	21	RoHS