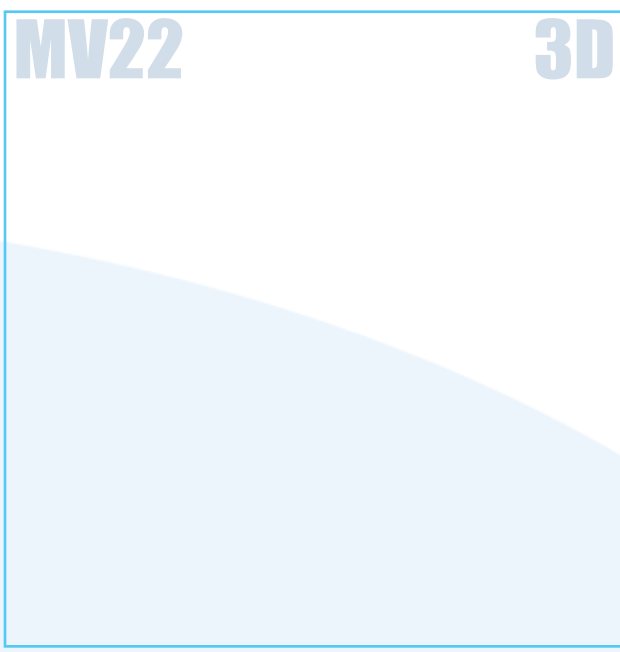
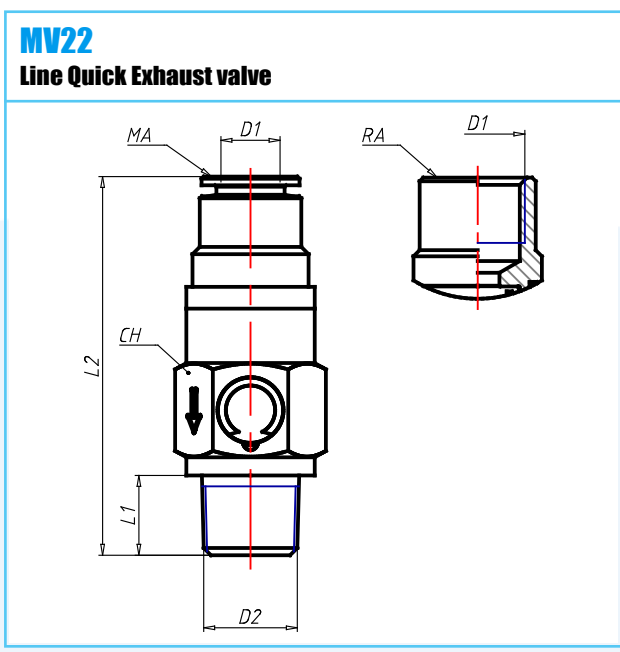


Material: Anodised Alluminium
Working Temperature: -10 ÷ 70 C°
Working Temperature: F°
Working Pressure (max): 2 ÷ 10 bar
Working Pressure (max): psi
Vacuum: kPa
Vacuum: Hg
Conformity:

Conformity:
Conformity:
Conformity:
Conformity:
Application Pneumatic installations fed with filtered, lubricated air



CODE	TIPO	D1	D2	L1	L2	CH	G	CONF
4120002	MV22 14 14 -RA	R1/4	G1/4	11.0	49	18	17.5	RoHS
4120003	MV22 38 38 -RA	R3/8	G3/8	11.5	56	27	47.5	RoHS
4120004	MV22 12 12 -RA	R1/2	G1/2	14.0	70	34	87.5	RoHS
4120042	MV22 08 14 -MA	R1/4	8	11.0	51	18	18.2	RoHS
4120053	MV22 10 38 -MA	R3/8	10	11.5	63	27	47.0	RoHS
4120064	MV22 12 12 -MA	R1/2	12	14.0	73	34	84.0	RoHS