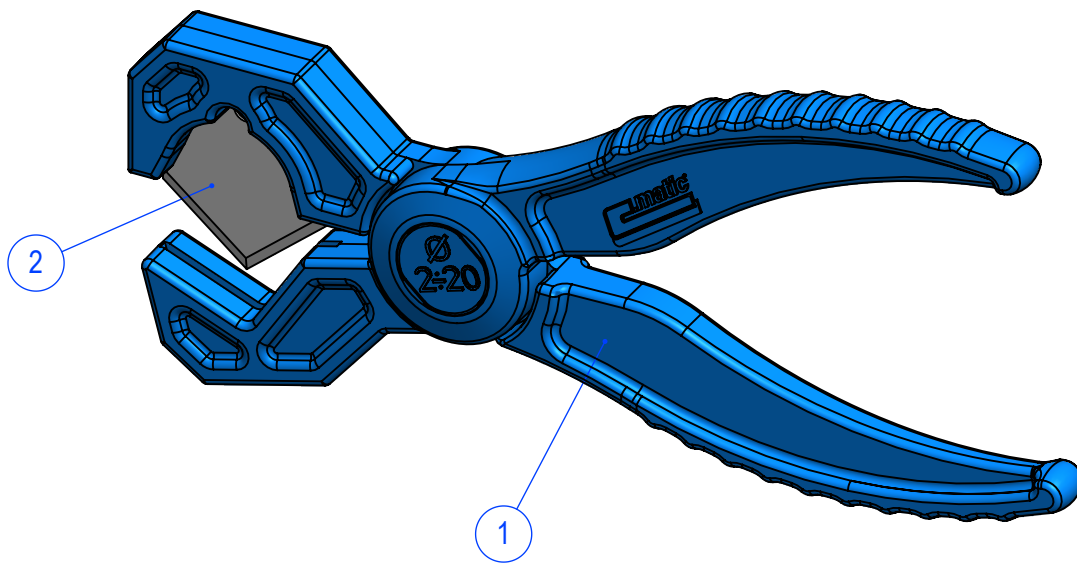


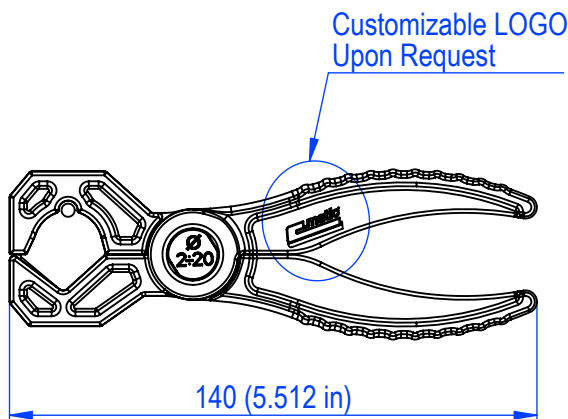


1	2
PA66 - 50% FV	Carbon Steel C125




 -20°C ÷ 50°C
 -4°F ÷ 122°F



 Ø2 ÷ Ø20
 Ø1/8 ÷ Ø1/2



Alternative colors
Upon Request



*Spare Blades Available
*Lame di Ricambio Disponibili

Description Pinza tagliatubo ø 2-20 mm		Treatment XXX		Dimensional tolerances ISO 2768-m	From 0.5 to 3	From 3 to 6	From 6 to 30	From 30 to 120	
Material Vedi tabella		Weight 33.70 g	Undimensioned angles: 22° Undimensioned rays: 0.2 Burr free piece		Ra (µm) $\sqrt{1.6}$	±0.1	±0.1	±0.2	±0.3
						Up to 10°	From 10° to 50°	From 50° to 120°	From 120° to 400°
					± 1°	± 0° 30'	± 0° 20'	± 0° 10'	
		Drawing by G.Sala		Scale 1:0.5	Drawing n° TCUT0001			Revision 0	
		Checked by F.Pucci		Date 18/12/2017					

Questo disegno è proprietà di Cmatic. Modifiche anche parziali, copie o divulgazione del contenuto di questo documento sono vietate.
 The drawing hereof is property of Cmatic. Changes however partial are not allowed. Disclosure of the content hereof or copy of the document are forbidden.