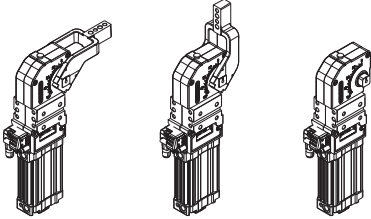


# IBM40

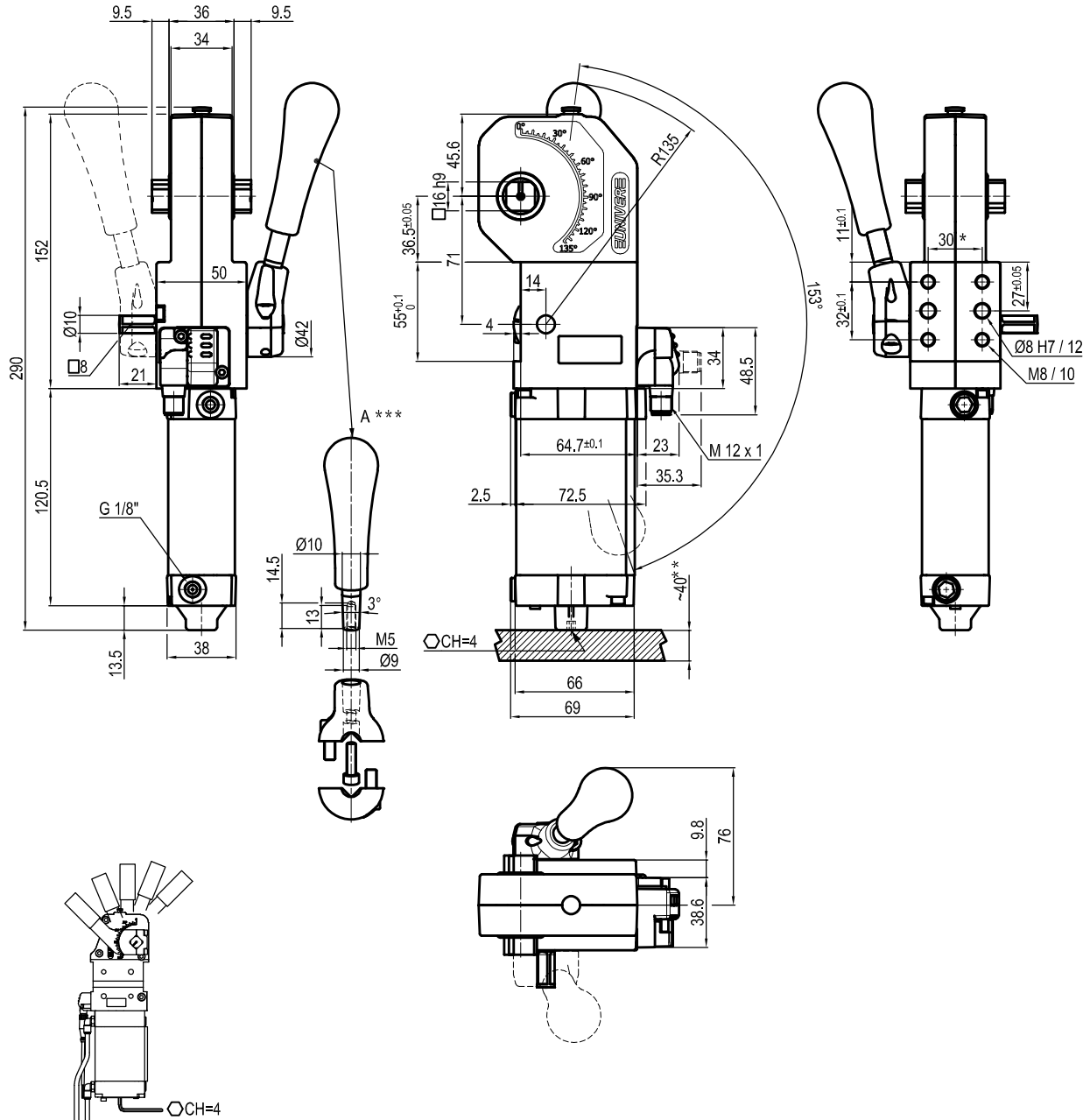
UNIVERSAL Power clamps



I	B	M	4	0	V	E	E	
1	2	3	4	5	6	7		

<p><b>1 Series</b></p> <p><b>IB</b> = UNIVERSAL power clamps fully adjustable opening angle: <b>0° to 118° Max</b> interchangeable with 50 and 63 sizes The opening angle range may vary according to the arm position and style</p>	<p><b>2 Version</b></p> <p><b>M</b> = Pneumatic with manual lever</p>	<p><b>3 Size</b></p> <p><b>40</b> = Ø 40 mm</p>
<p><b>4 Arm position</b></p> <p><b>V</b> = 90°    <b>O</b> = 180°    <b>N</b> = No arm</p> 	<p><b>5 Arm style</b></p> <p><b>C</b> = Central, 15 mm offset (standard)  <b>D</b> = Right, 15 mm offset (standard)  <b>S</b> = Left, 15 mm offset (standard)  <b>E</b> = Central, 45 mm offset  <b>F</b> = Right, 45 mm offset  <b>L</b> = Left, 45 mm offset  <b>N</b> = No arm</p>	<p><b>6 Sensor</b></p> <p><b>N</b> = No sensor (with protection plate)  <b>E</b> = Electronic sensor with M12 swivel connector</p>
<p><b>7 Option</b></p> <p><b>A</b> = Preset for self-holding system</p>		

## UNIVERSAL Pneumatic power clamp Ø50 / Ø63 mm sizes compatible



Bore Ø	Holding moment	Clamping moment (0.5 MPa)	Weight (Clamping arm not included)
40 mm	600 Nm	170 Nm	2.1 Kg

Min./Max. operating pressure: **0,4 / 0,6 MPa**

Operating temperature: **5° ± 45° C**

Opening angle: **adjustable**

Without arm

Electronic sensor with M12 swivel connector that can be orientated at 0° or 90°

Supply voltage: 10÷30 Vdc

IP code: **IP 65**

Pneumatic ports on both sides

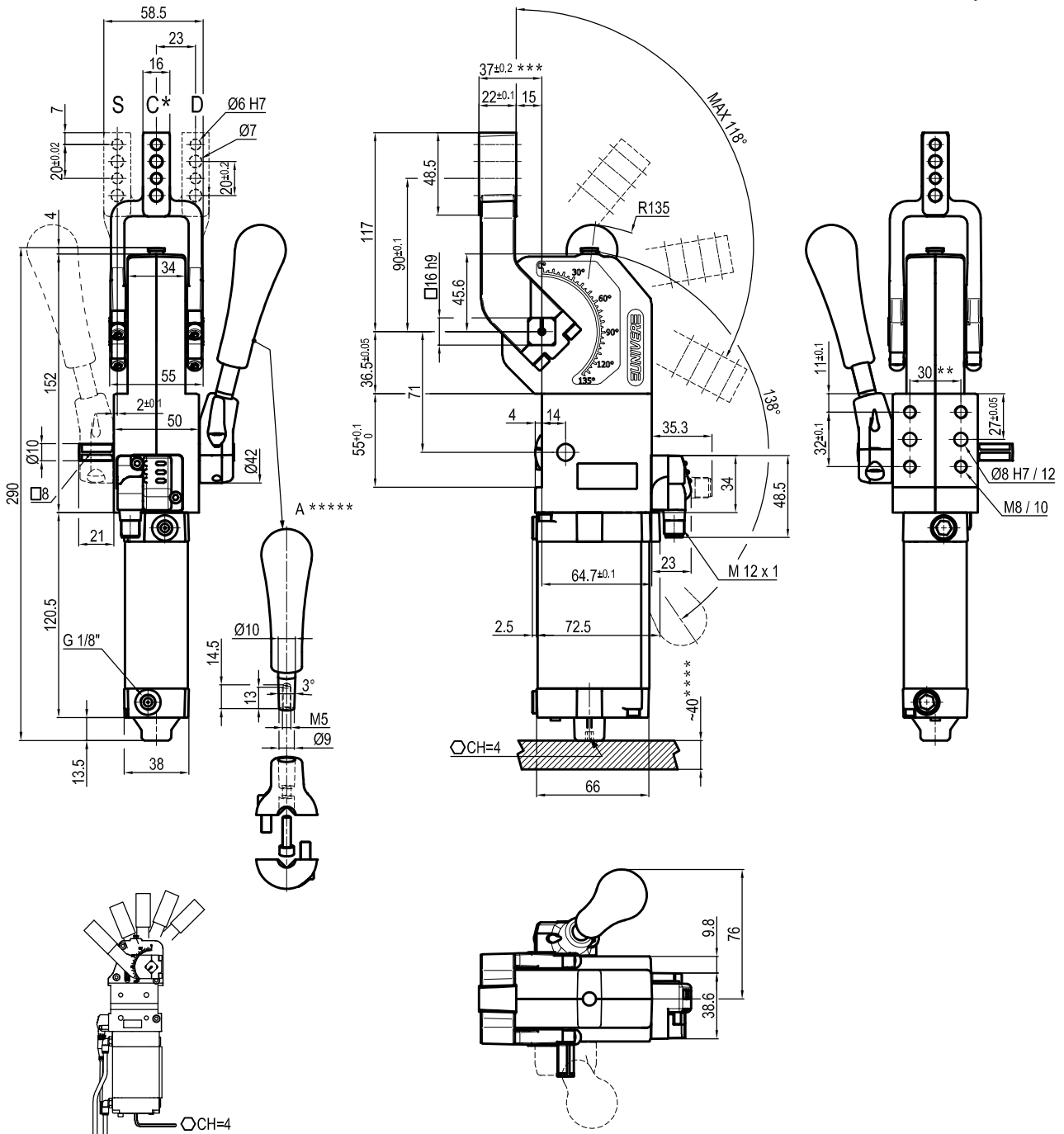
\* : TOLERANCE BETWEEN DOWELS ± 0.02, TO SCREW HOLES ± 0.1

\*\* : AREA TO ACCESS ANGLE ADJUSTMENT

\*\*\* : DIMENSIONS TO BE RESPECTED IN CASE OTHER MANUAL LEVERS ARE USED

Subject to technical modification without notice.

## UNIVERSAL Pneumatic power clamp Ø50 / Ø63 mm sizes compatible



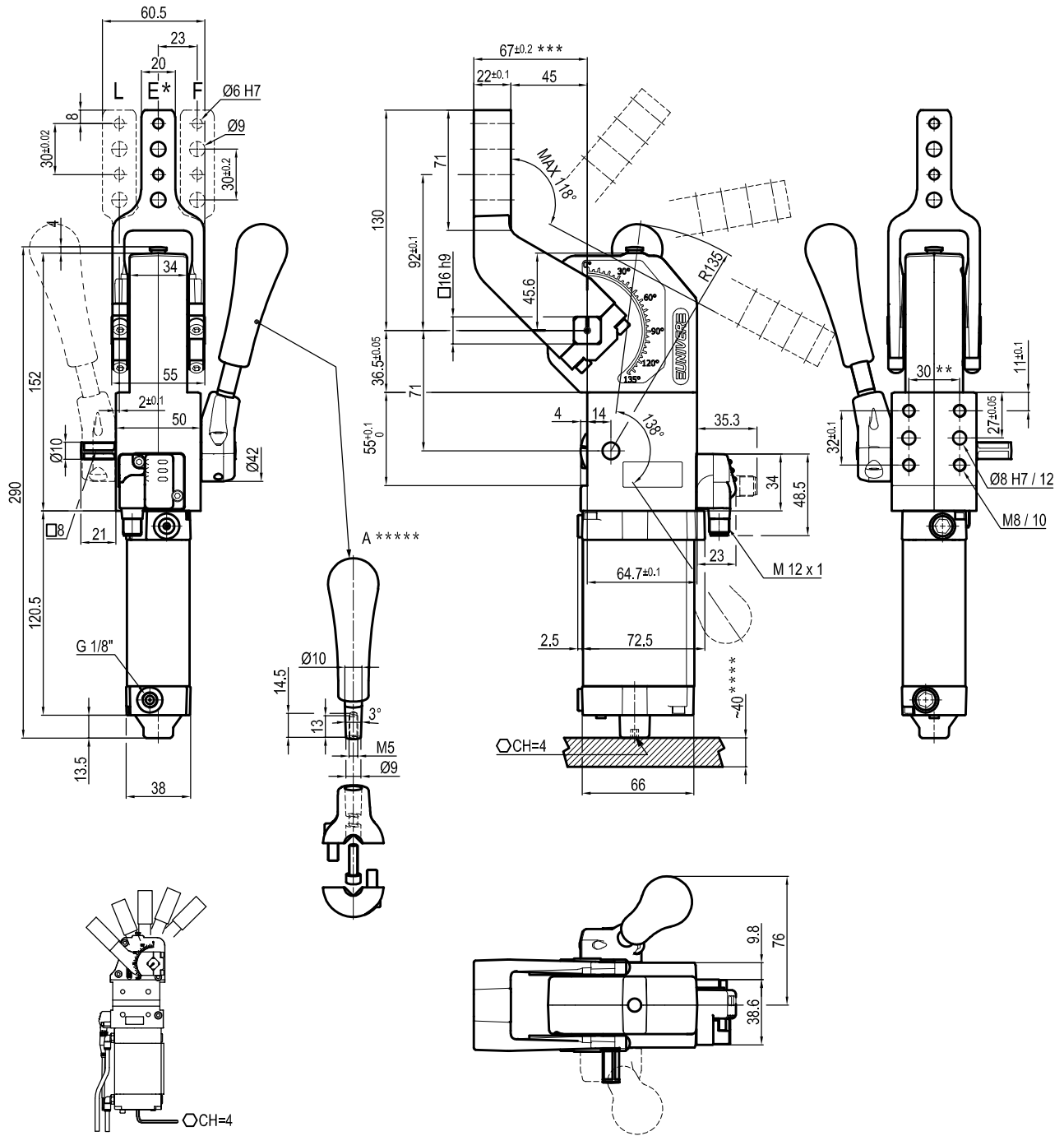
Bore Ø	Holding moment	Clamping moment (0.5 MPa)	Weight (Clamping arm not included)
40 mm	600 Nm	170 Nm	2.1 Kg

Min./Max. operating pressure: **0,4 / 0,6 MPa**  
 Operating temperature: **5° + 45° C**  
 Opening angle: **adjustable from 0° to 118°**  
 Horizontal arm mount position  
 Electronic sensor with M12 swivel connector that can be orientated at 0° or 90°  
 Supply voltage: 10÷30 Vdc  
 IP code: **IP 65**  
 Pneumatic ports on both sides

\* : "E" Ø50 / Ø63 mm SIZES COMPATIBLE  
 \*\* : TOLERANCE BETWEEN DOWELS ± 0.02, TO SCREW HOLES ± 0.1  
 \*\*\* : TOLERANCE AT 80 mm FROM PIVOT POINT  
 \*\*\*\* : AREA TO ACCESS ANGLE ADJUSTMENT  
 \*\*\*\*\* : DIMENSIONS TO BE RESPECTED IN CASE OTHER MANUAL LEVERS ARE USED

Subject to technical modification without notice.

## UNIVERSAL Pneumatic power clamp with manual lever arm at 45 mm from pivot point (arm style E-L-F)



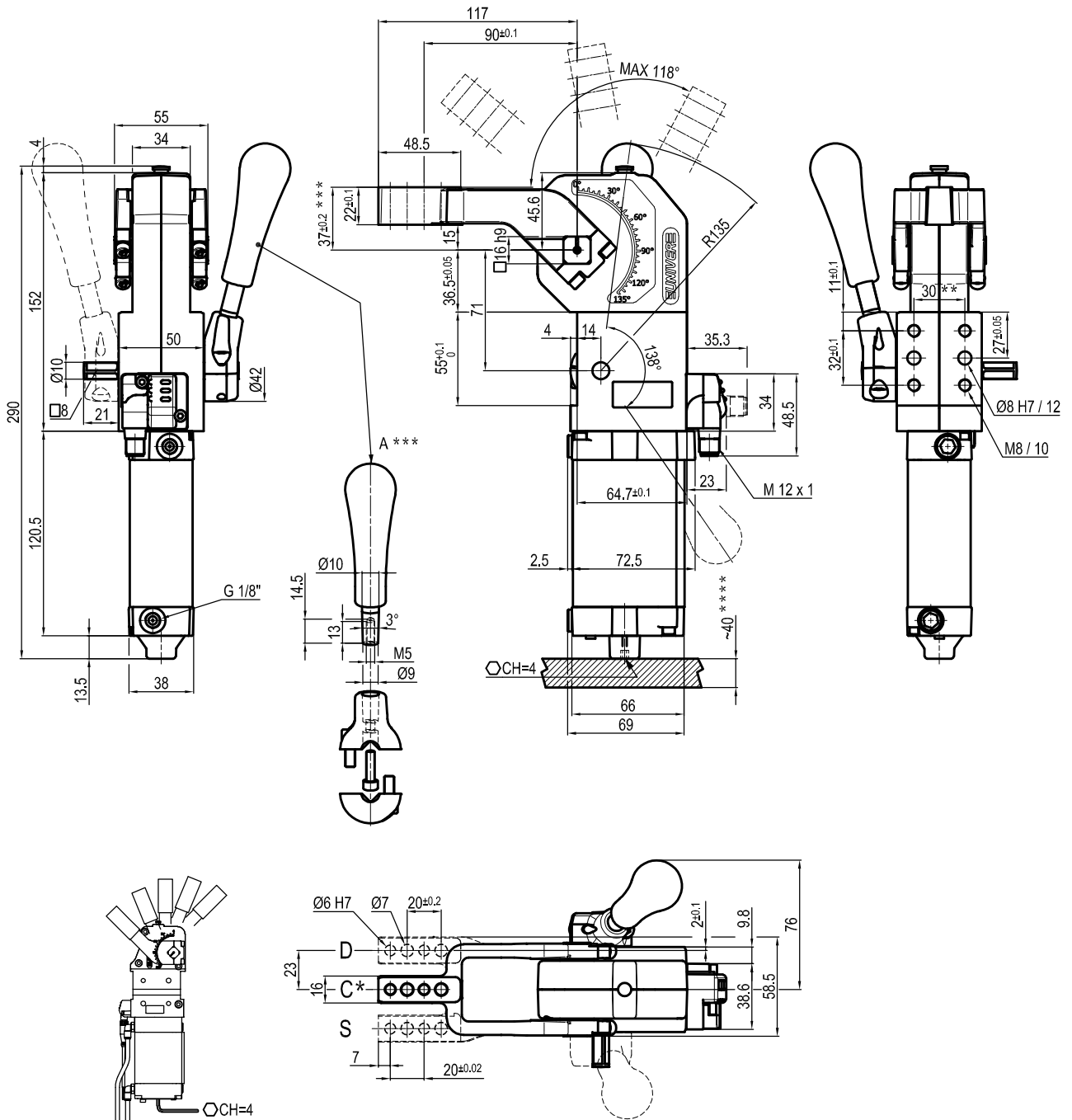
Bore Ø	Holding moment	Clamping moment (0.5 MPa)	Weight (Clamping arm not included)
40 mm	600 Nm	170 Nm	2.1 Kg

Min./Max. operating pressure: **0,4 / 0,6 MPa**  
 Operating temperature: **5° + 45° C**  
 Opening angle: **adjustable from 0° to 118°**  
 Horizontal arm mount position  
 Electronic sensor with M12 swivel connector that can be orientated at 0° or 90°  
 Supply voltage: 10÷30 Vdc  
 IP code: **IP 65**  
 Pneumatic ports on both sides

\* : "E" CENTRAL - Ø50 / Ø63 mm SIZES COMPATIBLE  
 \*\* : TOLERANCE BETWEEN DOWELS ± 0.02, TO SCREW HOLES ± 0.1  
 \*\*\* : TOLERANCE AT 80 mm FROM PIVOT POINT  
 \*\*\*\* : AREA TO ACCESS ANGLE ADJUSTMENT

Subject to technical modification without notice.

## UNIVERSAL Pneumatic power clamp Ø50 / Ø63 mm sizes compatible



Bore Ø	Holding moment	Clamping moment (0.5 MPa)	Weight (Clamping arm not included)
40 mm	600 Nm	170 Nm	2.1 Kg

Min./Max. operating pressure: **0,4 / 0,6 MPa**

Operating temperature: **5° + 45° C**

Opening angle: **adjustable from 0° to 118°**

Vertical arm mount position

Electronic sensor with M12 swivel connector that can be orientated at 0° or 90°

Supply voltage: 10÷30 Vdc

IP code: **IP 65**

Pneumatic ports on both sides

\* : "E" CENTRAL - Ø50 / Ø63 mm SIZES COMPATIBLE

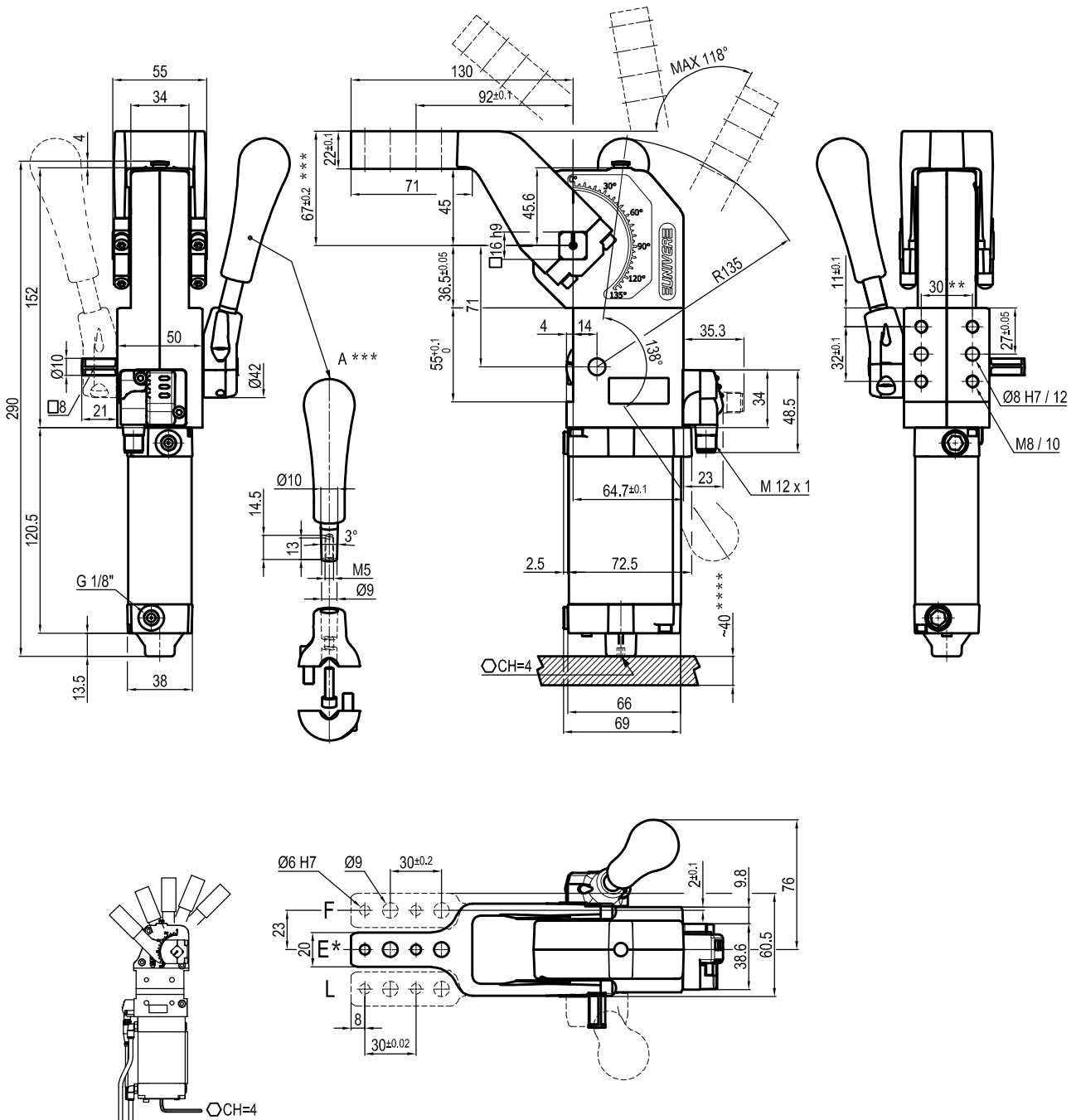
\*\* : TOLERANCE BETWEEN DOWELS ± 0.02, TO SCREW HOLES ± 0.1

\*\*\* : TOLERANCE AT 80 mm FROM PIVOT POINT

\*\*\*\* : AREA TO ACCESS ANGLE ADJUSTMENT

Subject to technical modification without notice.

## UNIVERSAL Pneumatic power clamp with manual lever arm at 45 mm from pivot point (arm style E-L-F)



Bore Ø	Holding moment	Clamping moment (0.5 MPa)	Weight (Clamping arm not included)
40 mm	600 Nm	170 Nm	2.1 Kg

Min./Max. operating pressure: **0,4 / 0,6 MPa**  
 Operating temperature: **5° + 45° C**  
 Opening angle: **adjustable from 0° to 118°**  
 Vertical arm mount position  
 Electronic sensor with M12 swivel connector that can be orientated at 0° or 90°  
 Supply voltage: 10÷30 Vdc  
 IP code: **IP 65**  
 Pneumatic ports on both sides

\* : "E" CENTRAL - Ø50 / Ø63 mm SIZES COMPATIBLE  
 \*\* : TOLERANCE BETWEEN DOWELS ± 0.02, TO SCREW HOLES ± 0.1  
 \*\*\* : TOLERANCE AT 80 mm FROM PIVOT POINT  
 \*\*\*\* : AREA TO ACCESS ANGLE ADJUSTMENT

Subject to technical modification without notice.