

# UNM50

UNIVERSAL Power clamps with hand lever conforming to NAAMS Standard



U	N	M	5	0	N	N	E	N	H
1	2	3	4	5	6	7			



<b>1 Series</b>	<b>2 Version</b>	<b>3 Size</b>
-----------------	------------------	---------------

**UN** = UNIVERSAL Power clamps conforming to NAAMS Standard fully adjustable opening angle: 0° to 135° Max

**M** = Pneumatic with hand lever

**50** = Ø 50 mm

<b>4 Arm position</b>	<b>5 Square shaft</b>	<b>6 Sensor</b>
-----------------------	-----------------------	-----------------

**N** = No arm

**R** = Right side only

**N** = No sensor (with protection plate)

**L** = Left side only

**E** = Electronic sensor with M12 swivel connector

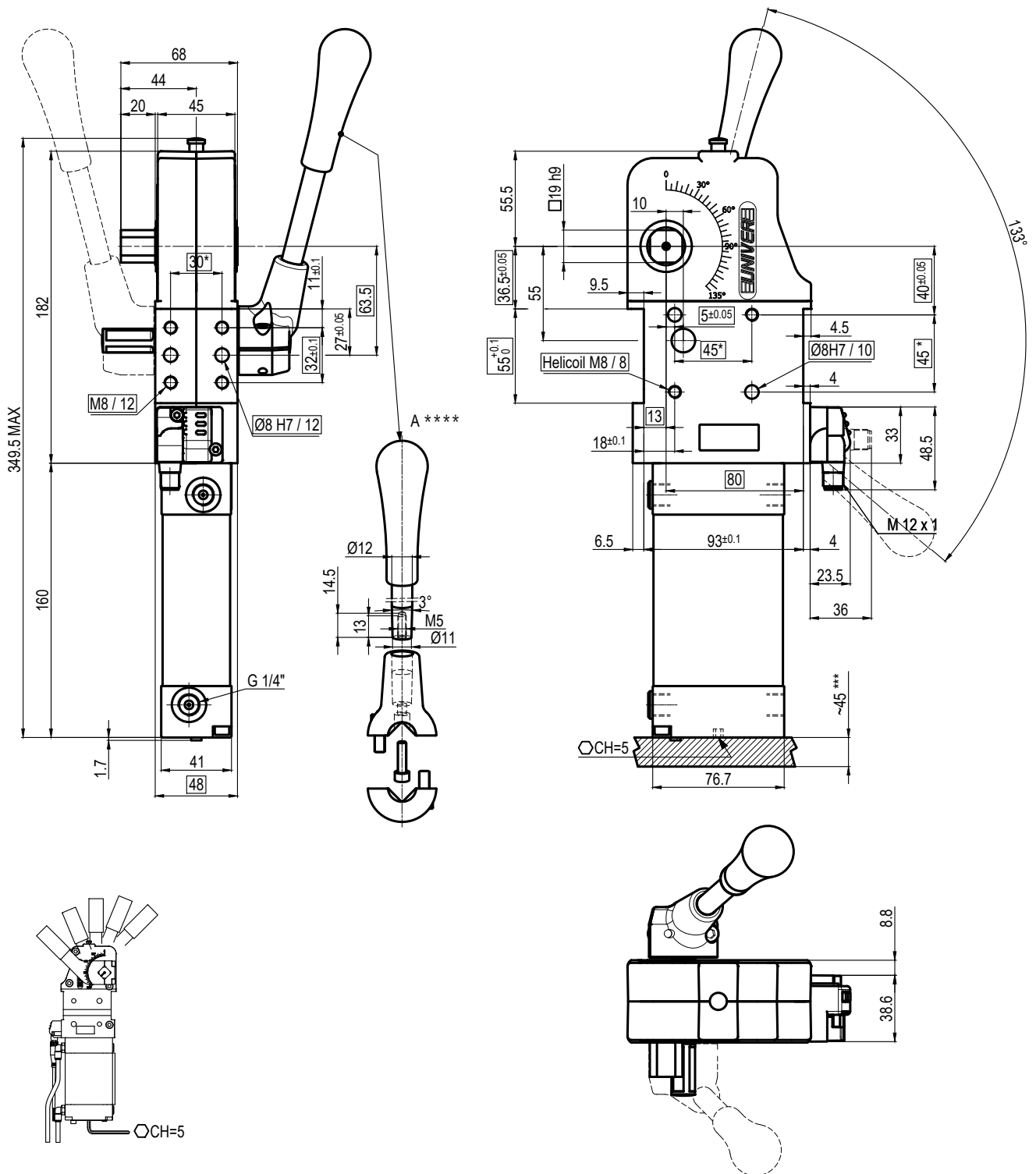
**N** = Both sides

<b>7 Port thread</b>
----------------------

**G** = Gas

**NH** = NPT

## UNIVERSAL Pneumatic clamp with manual lever



Bore Ø	Holding moment	Clamping moment	Weight (Clamping arm not included)
50 mm	1250 Nm	280 Nm	3.5 Kg

Min./Max. operating pressure: **0,4 / 0,6 MPa**

Operating temperature: **5° ÷ 45° C**

Opening angle: **adjustable**

Without arm

With manual lever

Electronic sensor with M12 swivel connector that can be orientated at 0° or 90°

Supply voltage: 10+30 Vdc

IP code: **IP 65**

Pneumatic ports on both sides

\* : TOLERANCE BETWEEN DOWELS ± 0.02, BETWEEN SCREW HOLES ± 0.1

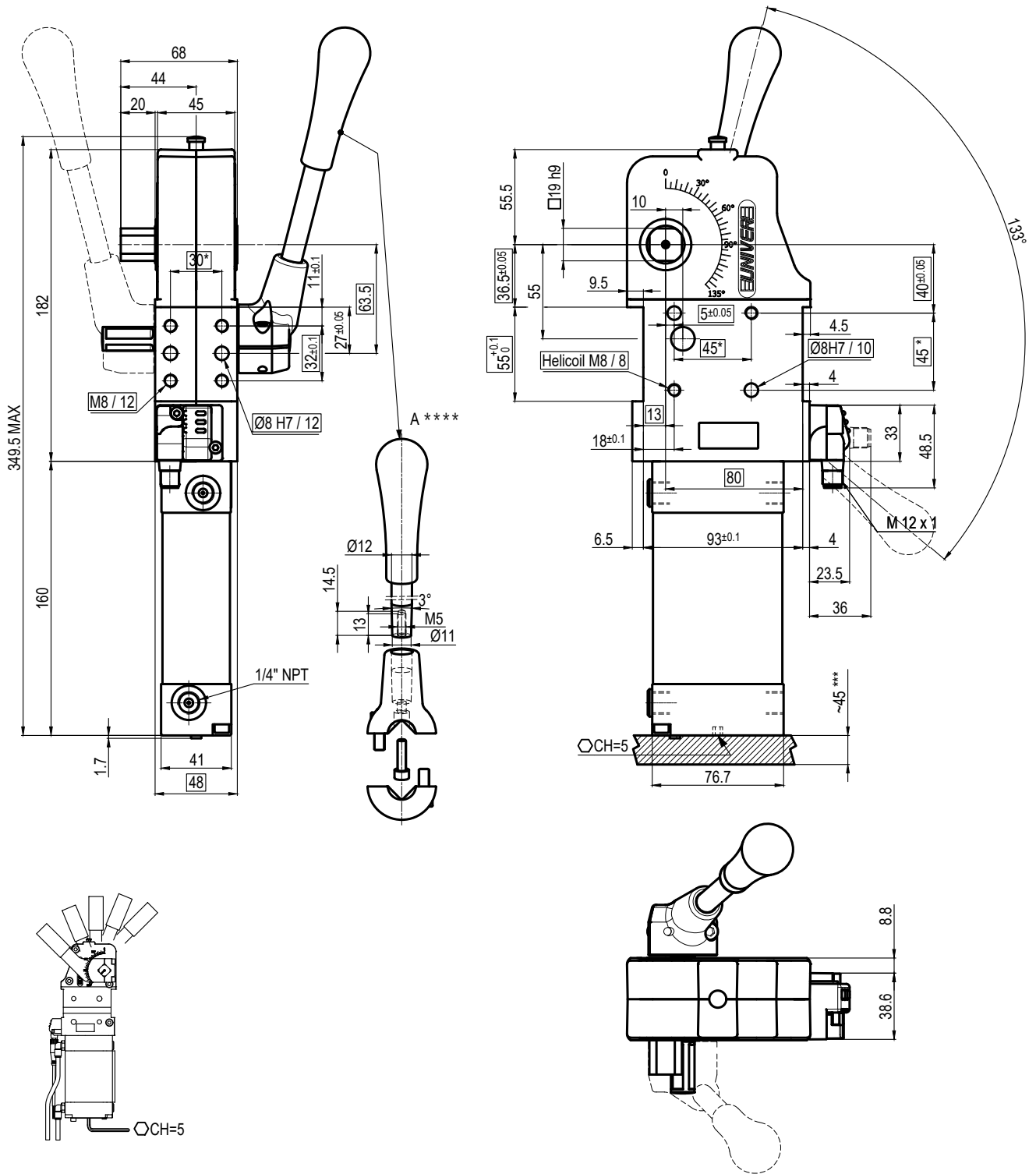
\*\* : THE MEASURES REFER TO **NAAMS** STANDARD

\*\*\* : AREA TO ACCESS ANGLE ADJUSTMENT

\*\*\*\* : DIMENSIONS TO BE RESPECTED IN CASE OTHER MANUAL LEVERS ARE USED

Subject to technical modifications without notice

## UNIVERSAL Pneumatic clamp with manual lever



Bore Ø	Holding moment	Clamping moment	Weight (Clamping arm not included)
50 mm	1250 Nm	280 Nm	3.5 Kg

Min./Max. operating pressure: **0,4 / 0,6 MPa**

Operating temperature: **5° ÷ 45° C**

Opening angle: **adjustable**

Without arm

With manual lever

Electronic sensor with M12 swivel connector that can be orientated at 0° or 90°

Supply voltage: 10÷30 Vdc

IP code: **IP 65**

Pneumatic ports on both sides

\* : TOLERANCE BETWEEN DOWELS ± 0.02, BETWEEN SCREW HOLES ± 0.1

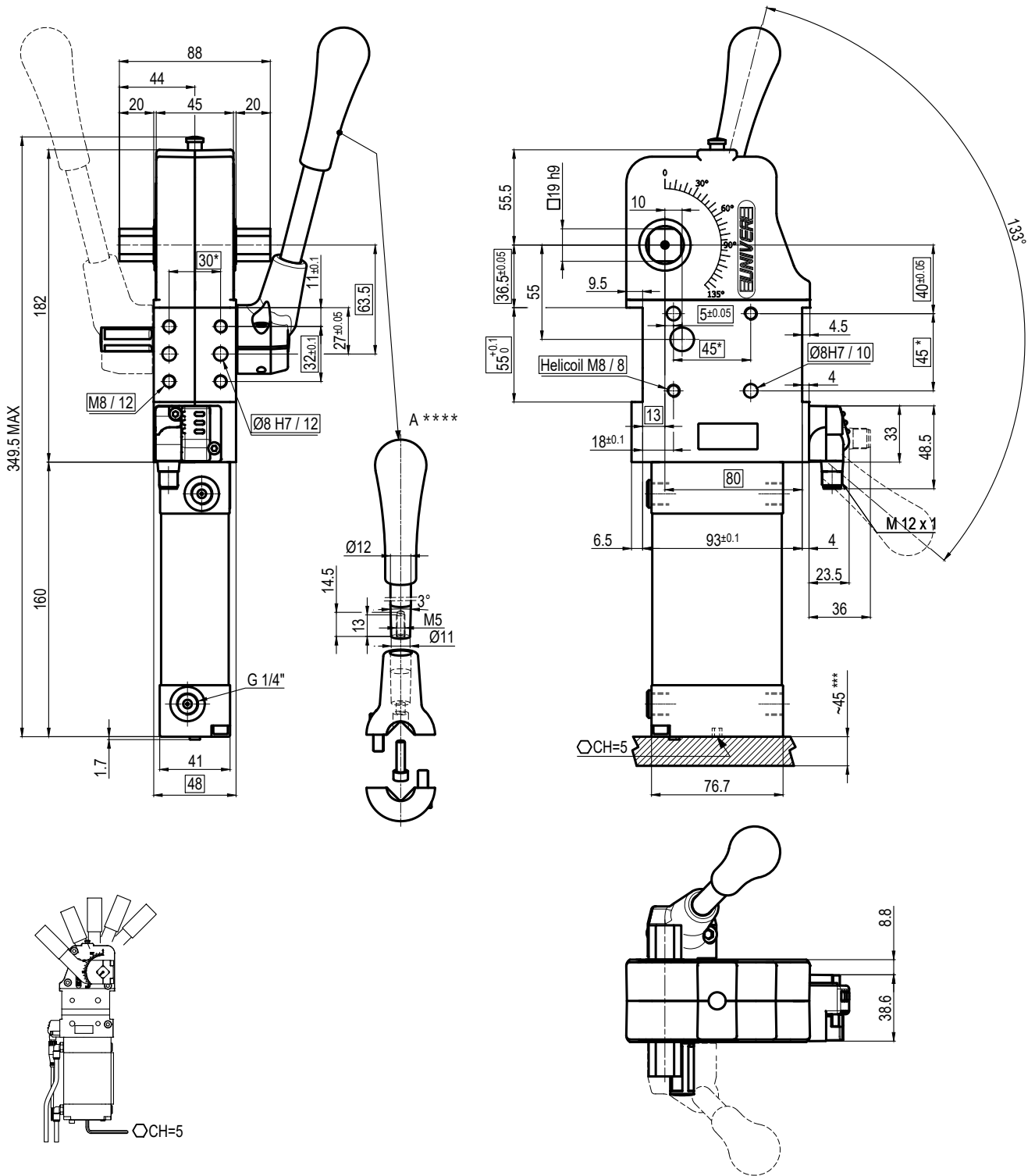
\*\* : THE MEASURES REFER TO **NAAMS** STANDARD

\*\*\* : AREA TO ACCESS ANGLE ADJUSTMENT

\*\*\*\* : DIMENSIONS TO BE RESPECTED IN CASE OTHER MANUAL LEVERS ARE USED

Subject to technical modifications without notice

## UNIVERSAL Pneumatic clamp with manual lever



Bore Ø	Holding moment	Clamping moment	Weight (Clamping arm not included)
50 mm	1250 Nm	280 Nm	3.5 Kg

Min./Max. operating pressure: **0,4 / 0,6 MPa**

Operating temperature: **5° ÷ 45° C**

Opening angle: **adjustable**

Without arm

With manual lever

Electronic sensor with M12 swivel connector that can be orientated at 0° or 90°

Supply voltage: 10+30 Vdc

IP code: **IP 65**

Pneumatic ports on both sides

\* : TOLERANCE BETWEEN DOWELS ± 0.02, BETWEEN SCREW HOLES ± 0.1

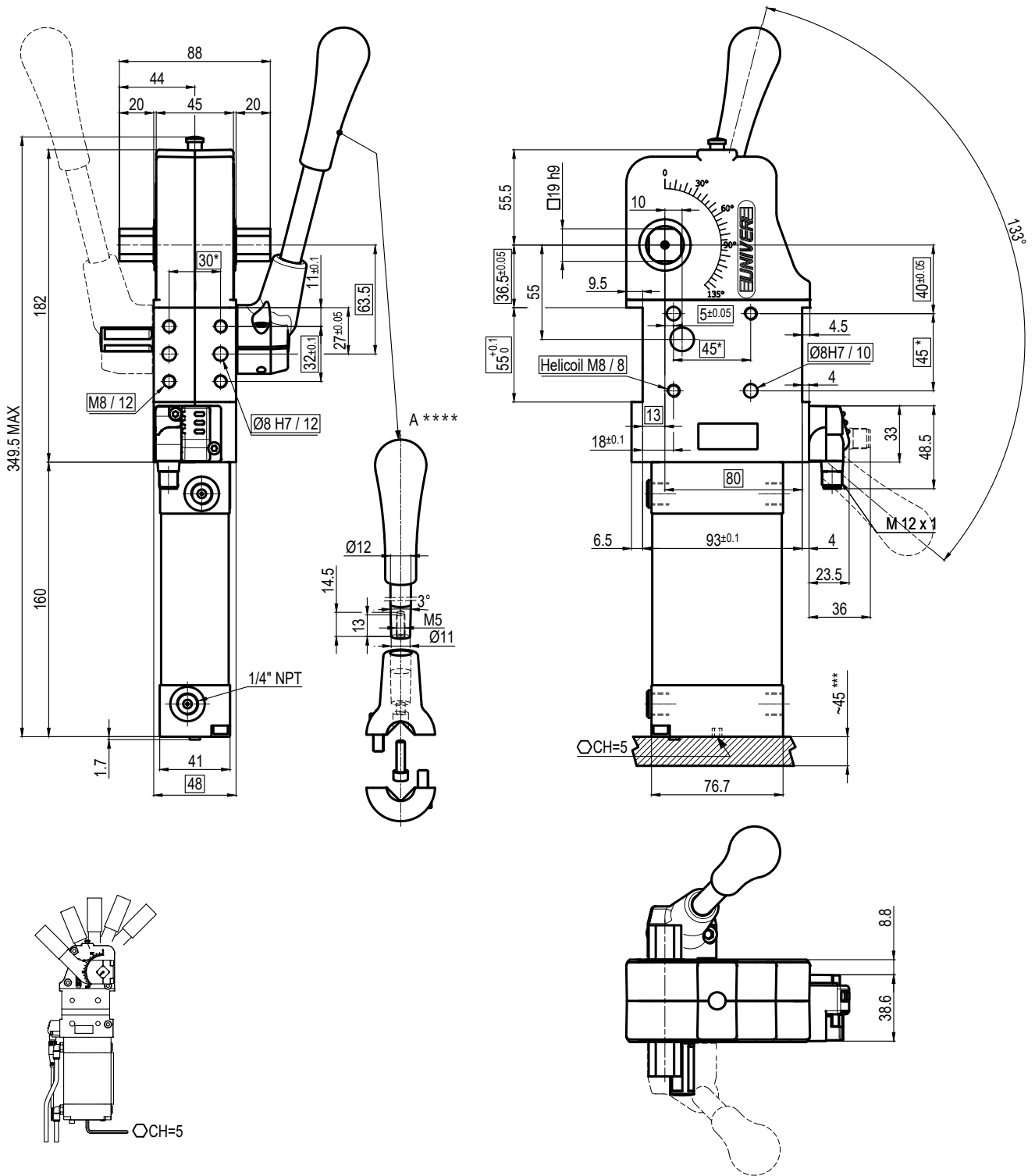
\*\* : THE MEASURES REFER TO **NAAMS** STANDARD

\*\*\* : AREA TO ACCESS ANGLE ADJUSTMENT

\*\*\*\* : DIMENSIONS TO BE RESPECTED IN CASE OTHER MANUAL LEVERS ARE USED

Subject to technical modifications without notice

## UNIVERSAL Pneumatic clamp with manual lever



Bore Ø	Holding moment	Clamping moment	Weight (Clamping arm not included)
50 mm	1250 Nm	280 Nm	3.5 Kg

Min./Max. operating pressure: **0,4 / 0,6 MPa**

Operating temperature: **5° ÷ 45° C**

Opening angle: **adjustable**

Without arm

With manual lever

Electronic sensor with M12 swivel connector that can be orientated at 0° or 90°

Supply voltage: 10+30 Vdc

IP code: **IP 65**

Pneumatic ports on both sides

\* : TOLERANCE BETWEEN DOWELS ± 0.02, BETWEEN SCREW HOLES ± 0.1

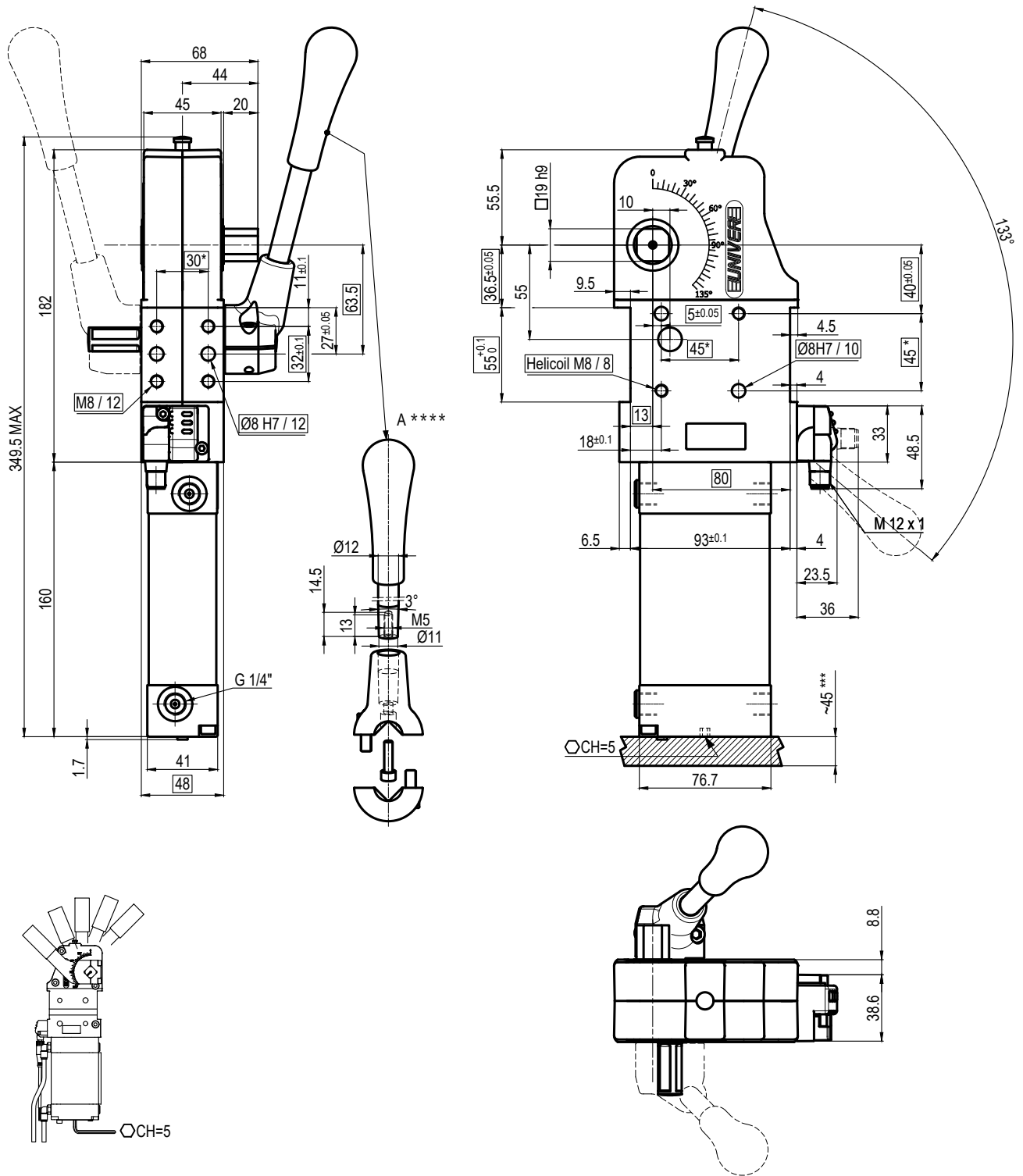
\*\* : THE MEASURES REFER TO **NAAMS** STANDARD

\*\*\* : AREA TO ACCESS ANGLE ADJUSTMENT

\*\*\*\* : DIMENSIONS TO BE RESPECTED IN CASE OTHER MANUAL LEVERS ARE USED

Subject to technical modifications without notice

## UNIVERSAL Pneumatic clamp with manual lever



Bore Ø	Holding moment	Clamping moment	Weight (Clamping arm not included)
50 mm	1250 Nm	280 Nm	3.5 Kg

Min./Max. operating pressure: **0,4 / 0,6 MPa**

Operating temperature: **5° ÷ 45° C**

Opening angle: **adjustable**

Without arm

With manual lever

Electronic sensor with M12 swivel connector that can be orientated at 0° or 90°

Supply voltage: 10+30 Vdc

IP code: **IP 65**

Pneumatic ports on both sides

\* : TOLERANCE BETWEEN DOWELS ± 0.02, BETWEEN SCREW HOLES ± 0.1

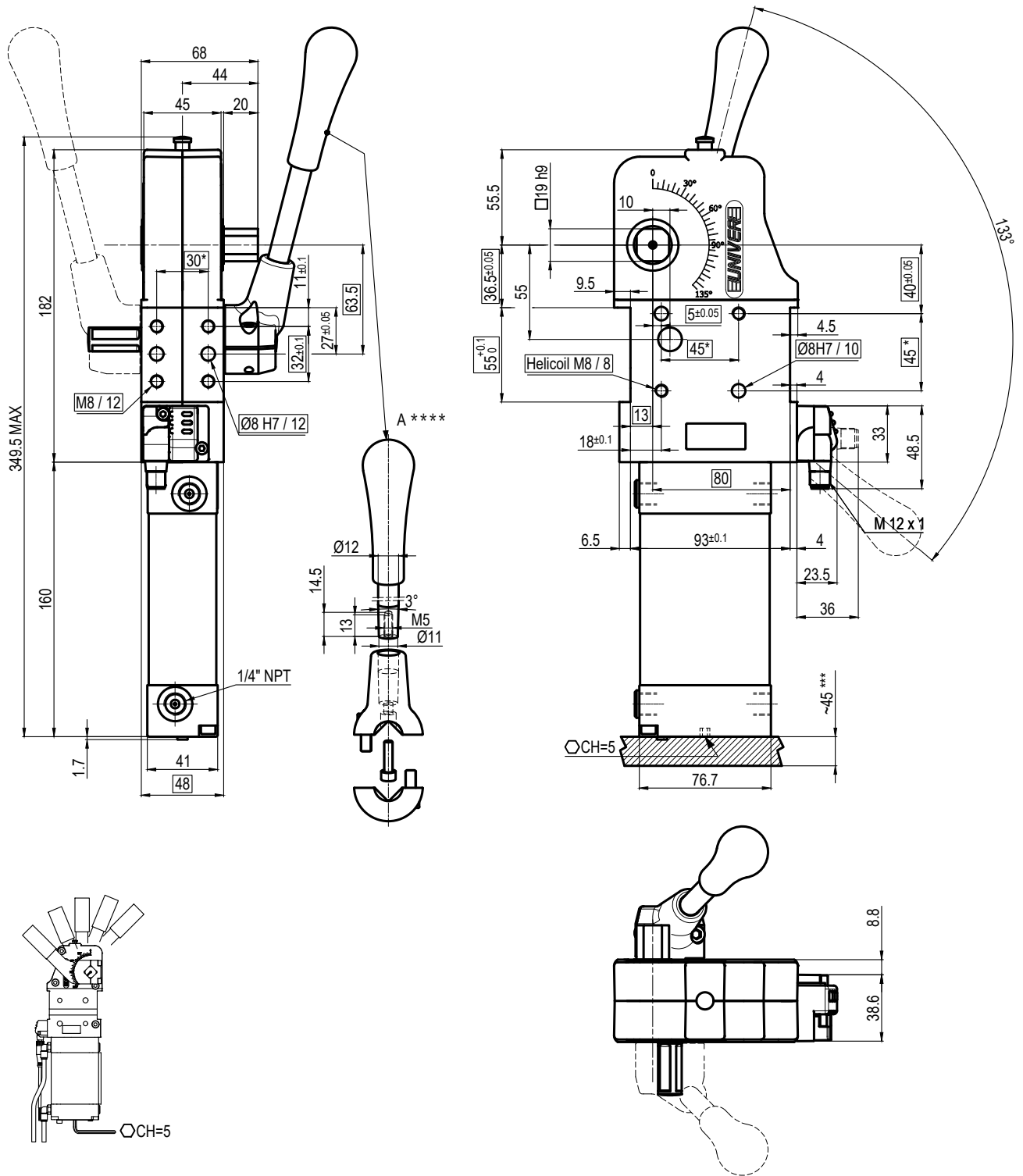
\*\* : THE MEASURES REFER TO **NAAMS** STANDARD

\*\*\* : AREA TO ACCESS ANGLE ADJUSTMENT

\*\*\*\* : DIMENSIONS TO BE RESPECTED IN CASE OTHER MANUAL LEVERS ARE USED

Subject to technical modifications without notice

## UNIVERSAL Pneumatic clamp with manual lever



Bore Ø	Holding moment	Clamping moment	Weight (Clamping arm not included)
50 mm	1250 Nm	280 Nm	3.5 Kg

Min./Max. operating pressure: **0,4 / 0,6 MPa**

Operating temperature: **5° ÷ 45° C**

Opening angle: **adjustable**

Without arm

With manual lever

Electronic sensor with M12 swivel connector that can be orientated at 0° or 90°

Supply voltage: 10+30 Vdc

IP code: **IP 65**

Pneumatic ports on both sides

\* : TOLERANCE BETWEEN DOWELS ± 0.02, BETWEEN SCREW HOLES ± 0.1

\*\* : THE MEASURES REFER TO **NAAMS** STANDARD

\*\*\* : AREA TO ACCESS ANGLE ADJUSTMENT

\*\*\*\* : DIMENSIONS TO BE RESPECTED IN CASE OTHER MANUAL LEVERS ARE USED

Subject to technical modifications without notice