

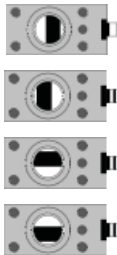
LCP32

Pneumatic retractable locating pin unit, single rod



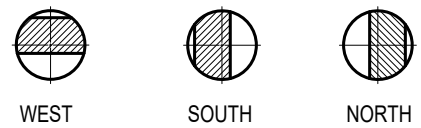
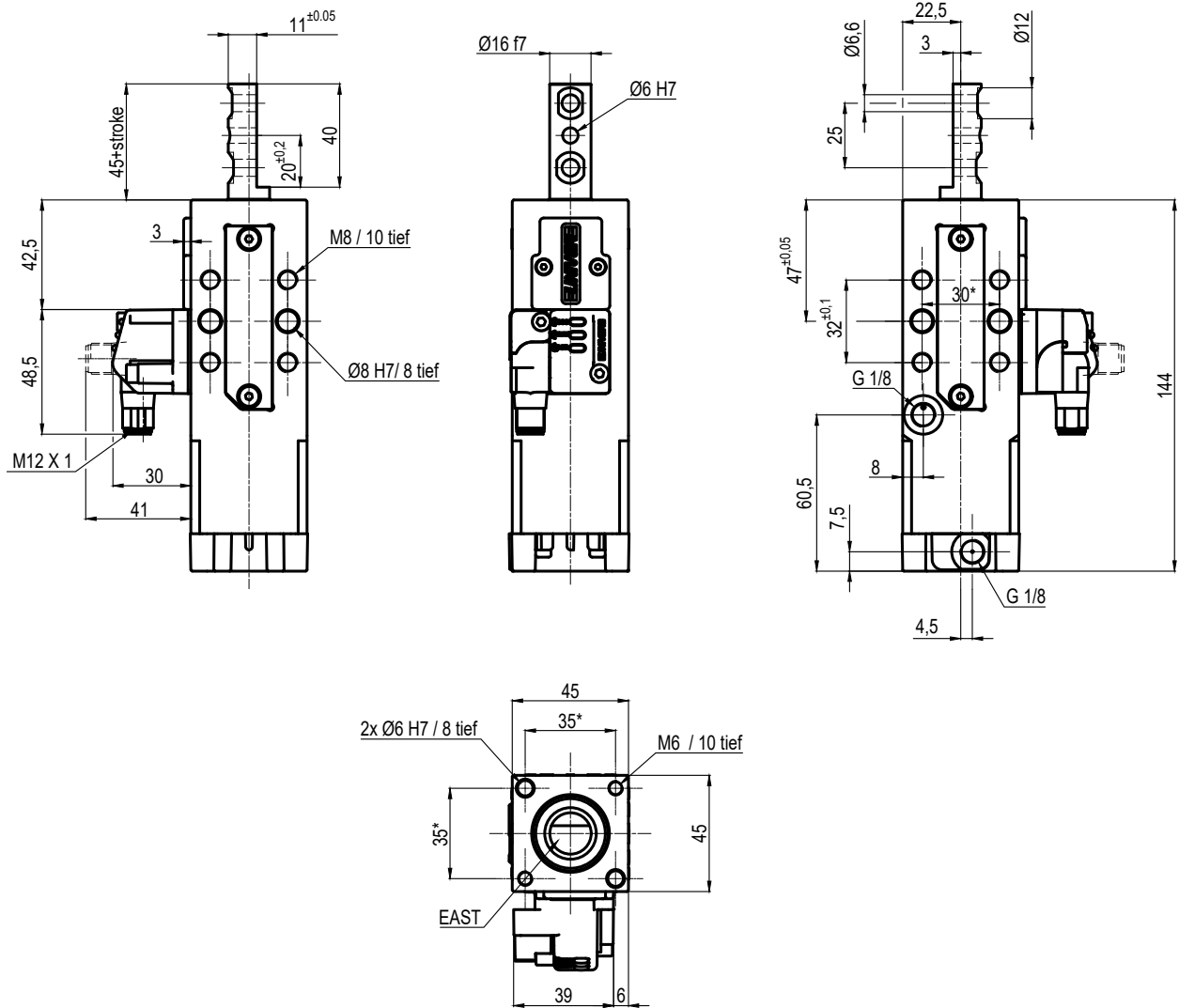
L	C	P	3	2	0	4	0	A	A	E	R
1	2	3	4		5	6	7	8			

1 Series LC = Retractable locating pin unit	2 Version P = Pneumatic-standard, single rod	3 Size 32 = Ø 32 mm
4 Strokes 020 = 20 mm 040 = 40 mm	5 Sensor N = No sensor (with protection plate) A = Electronic sensor with M12 swivel connector DF-U	6 Rod end style A = Rod for off-set pins B = Rod with profiled end C = Rod with cross-profiled end inner Ø diameter 16 mm E = Rod with cross-profiled end inner Ø diameter 10 mm
7 Rod orientation E = East, standard O = West N = North S = South	8 Option R = Metallic rod scraper	



Only with A rod end style

UNIVERSAL Pneumatic retractable locating pin unit



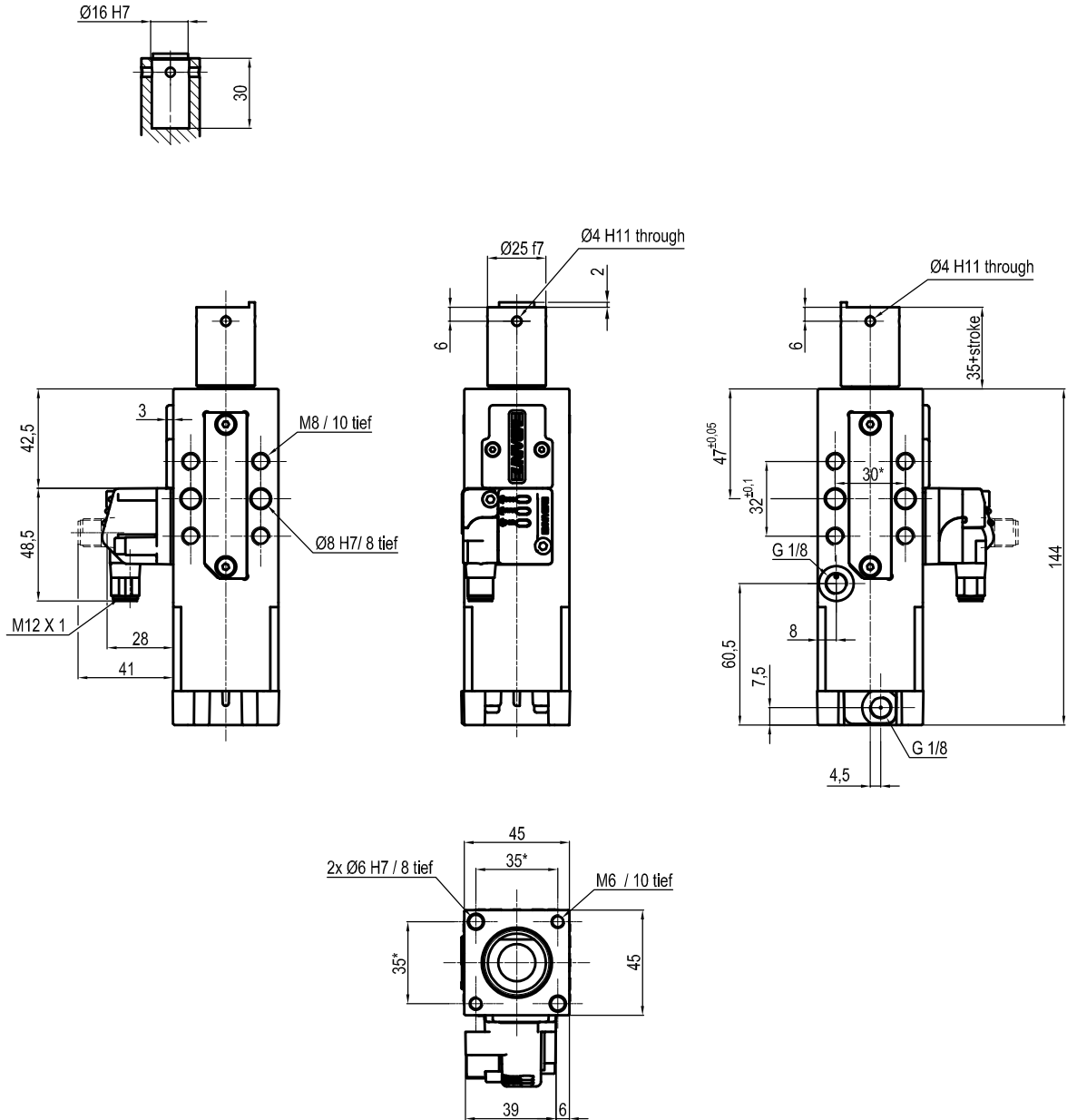
Bore Ø	Max. pull force 0.5 MPa	Max. push force 0.5 MPa	Max. torque	Max. deflection moment	Weight
32 mm	296 N	390 N	6 Nm ±0.06°	5.5 Nm ±0.03°	1.7 Kg

Min./max. operating pressure: 0,4 / 0,6 MPa
 Operating temperature: 5° + 45° C
 Strokes in mm.: 20 - 40
 Electronic sensor with M12 swivel connector that can be orientated at 0° or 90°
 Supply voltage: 10÷30 Vdc
 IP code: IP 65

* : TOLERANCE BETWEEN DOWEL HOLES ± 0.02, BETWEEN SCREW HOLES ± 0.1

Subject to technical modification without notice.

UNIVERSAL Pneumatic retractable locating pin unit



Bore Ø	Max. pull force 0.5 MPa	Max. push force 0.5 MPa	Max. torque	Max. deflection moment	Weight
32 mm	296 N	390 N	6 Nm ±0.06°	5.5 Nm ±0.03°	1.7 Kg

Min./max. operating pressure: 0,4 / 0,6 MPa

Operating temperature: 5° + 45° C

Strokes in mm.: 20 - 40

Electronic sensor with M12 swivel connector that can be orientated at 0° or 90°

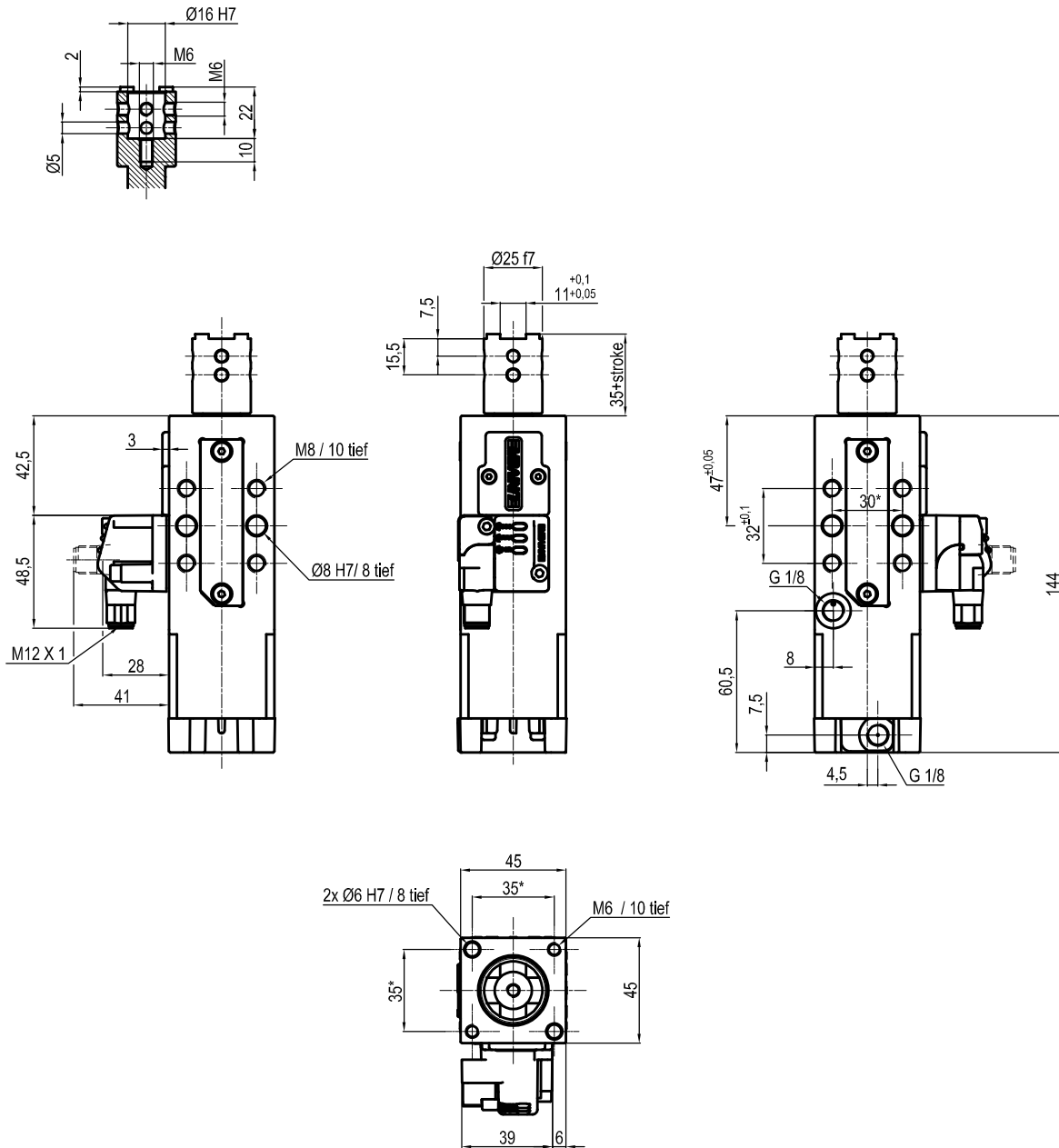
Supply voltage: 10+30 Vdc

IP code: IP 65

* : TOLERANCE BETWEEN DOWEL HOLES ± 0.02, BETWEEN SCREW HOLES ± 0.1

Subject to technical modification without notice.

UNIVERSAL Pneumatic retractable locating pin unit



Bore \varnothing	Max. pull force 0.5 MPa	Max. push force 0.5 MPa	Max. torque	Max. deflection moment	Weight
32 mm	296 N	390 N	6 Nm $\pm 0.06^\circ$	5.5 Nm $\pm 0.03^\circ$	1.7 Kg

Min./max. operating pressure: 0,4 / 0,6 MPa

Operating temperature: 5° + 45° C

Strokes in mm.: 20 - 40

Electronic sensor with M12 swivel connector that can be orientated at 0° or 90°

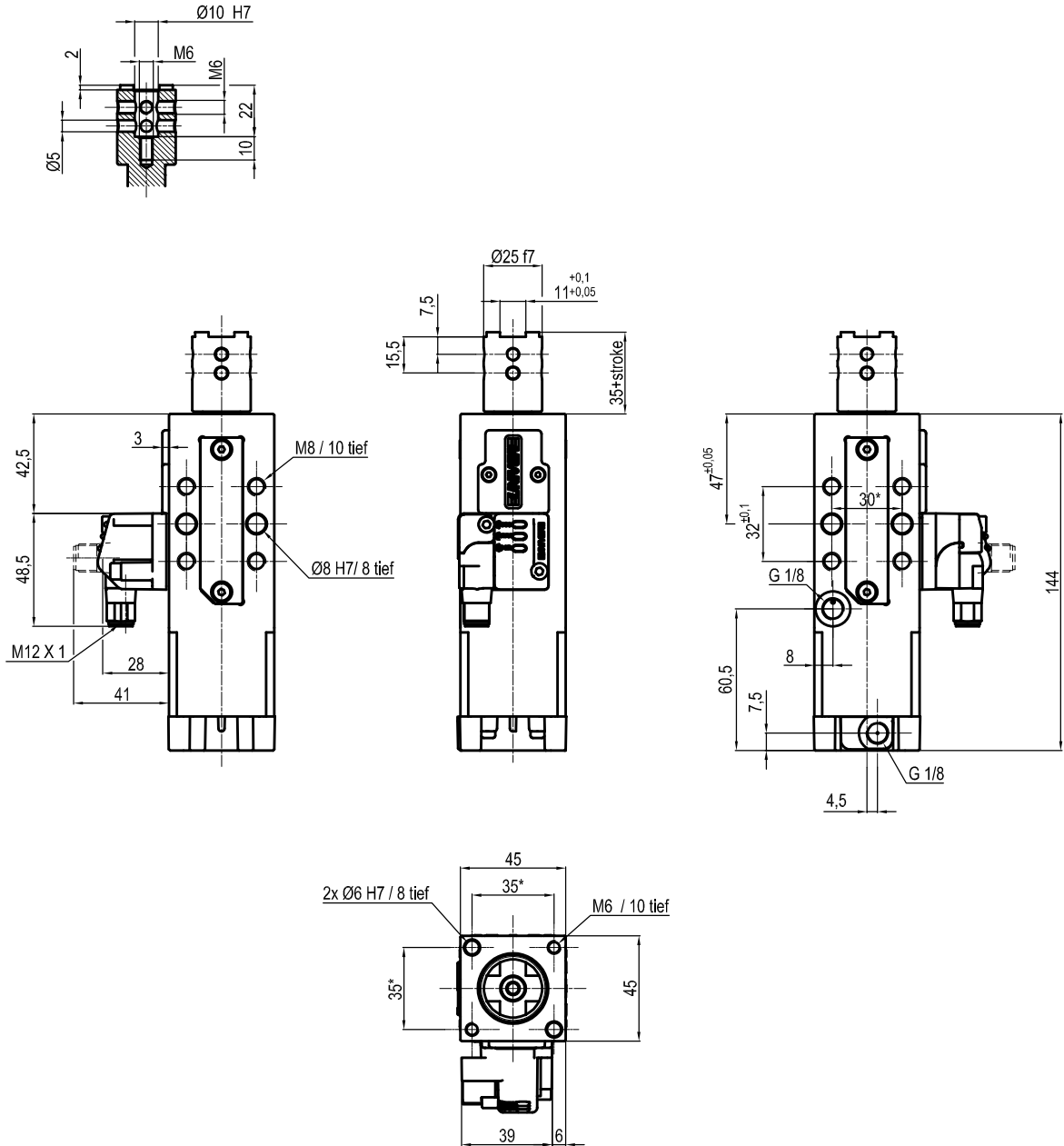
Supply voltage: 10+30 Vdc

IP code: IP 65

* : TOLERANCE BETWEEN DOWEL HOLES ± 0.02 , BETWEEN SCREW HOLES ± 0.1

Subject to technical modification without notice.

UNIVERSAL Pneumatic retractable locating pin unit



Bore Ø	Max. pull force 0.5 MPa	Max. push force 0.5 MPa	Max. torque	Max. deflection moment	Weight
32 mm	296 N	390 N	6 Nm ±0.06°	5.5 Nm ±0.03°	1.7 Kg

Min./max. operating pressure: 0,4 / 0,6 MPa
 Operating temperature: 5° + 45° C
 Strokes in mm.: 20 - 40
 Electronic sensor with M12 swivel connector that can be orientated at 0° or 90°
 Supply voltage: 10+30 Vdc
 IP code: IP 65

* : TOLERANCE BETWEEN DOWEL HOLES ± 0.02, BETWEEN SCREW HOLES ± 0.1

Subject to technical modification without notice.

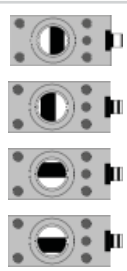
LCP32

Pneumatic retractable locating pin unit,
single rod



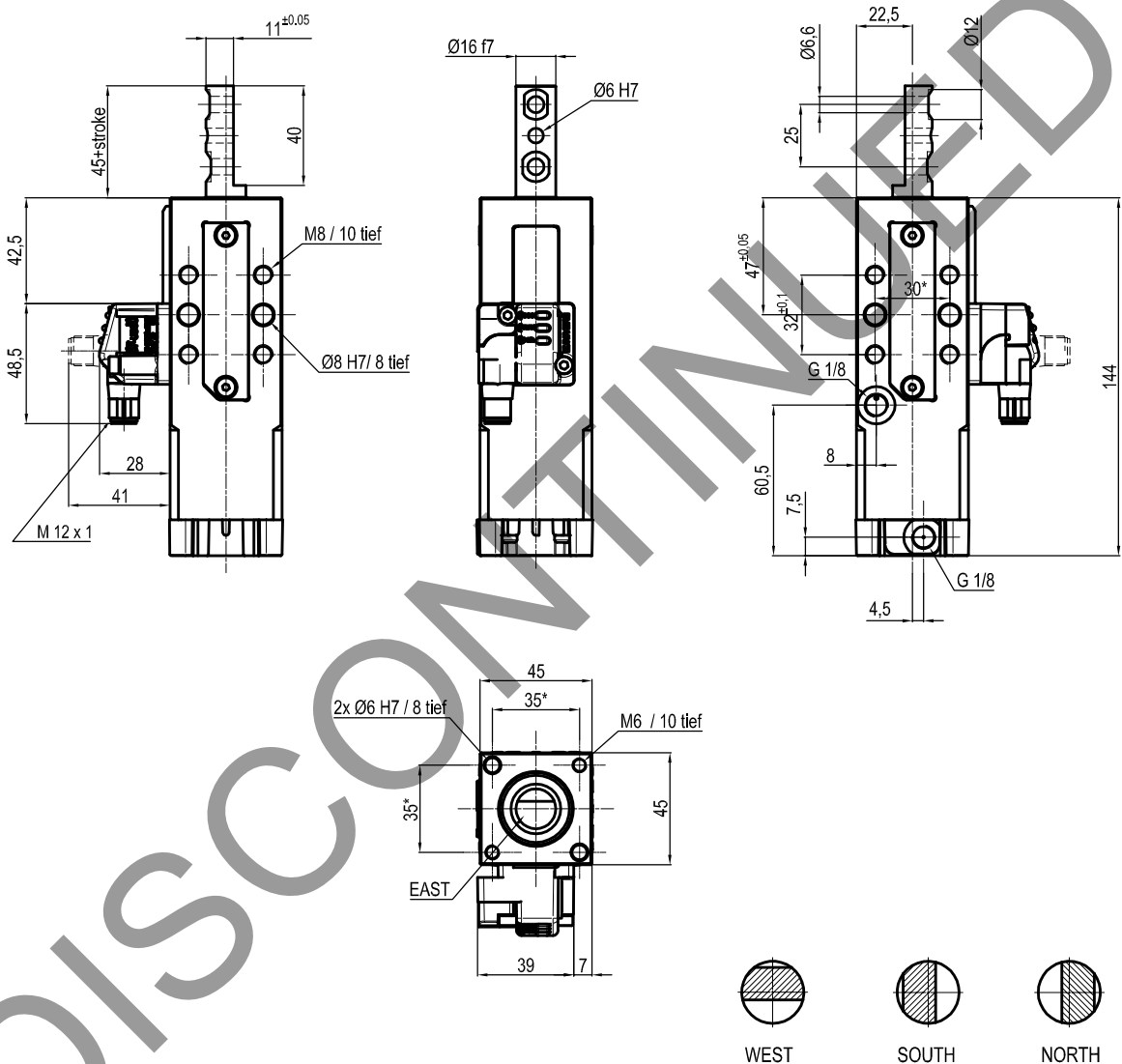
L	C	P	3	2	0	4	0	E	A	E	R
1	2	3	4		5	6	7	8			

1 Series LC = Retractable locating pin unit	2 Version P = Pneumatic-standard, single rod	3 Size 32 = Ø 32 mm
4 Strokes 020 = 20 mm 040 = 40 mm	5 Sensor N = No sensor (with protection plate) E = Electronic sensor with M12 swivel connector	6 Rod end style A = Rod for off-set pins B = Rod with profiled end C = Rod with cross-profiled end inner Ø diameter 16 mm E = Rod with cross-profiled end inner Ø diameter 10 mm
7 Rod orientation E = East, standard O = West N = North S = South	8 Rod scraper R = Metallic rod scraper	



Only with A rod end style

UNIVERSAL Pneumatic retractable locating pin unit



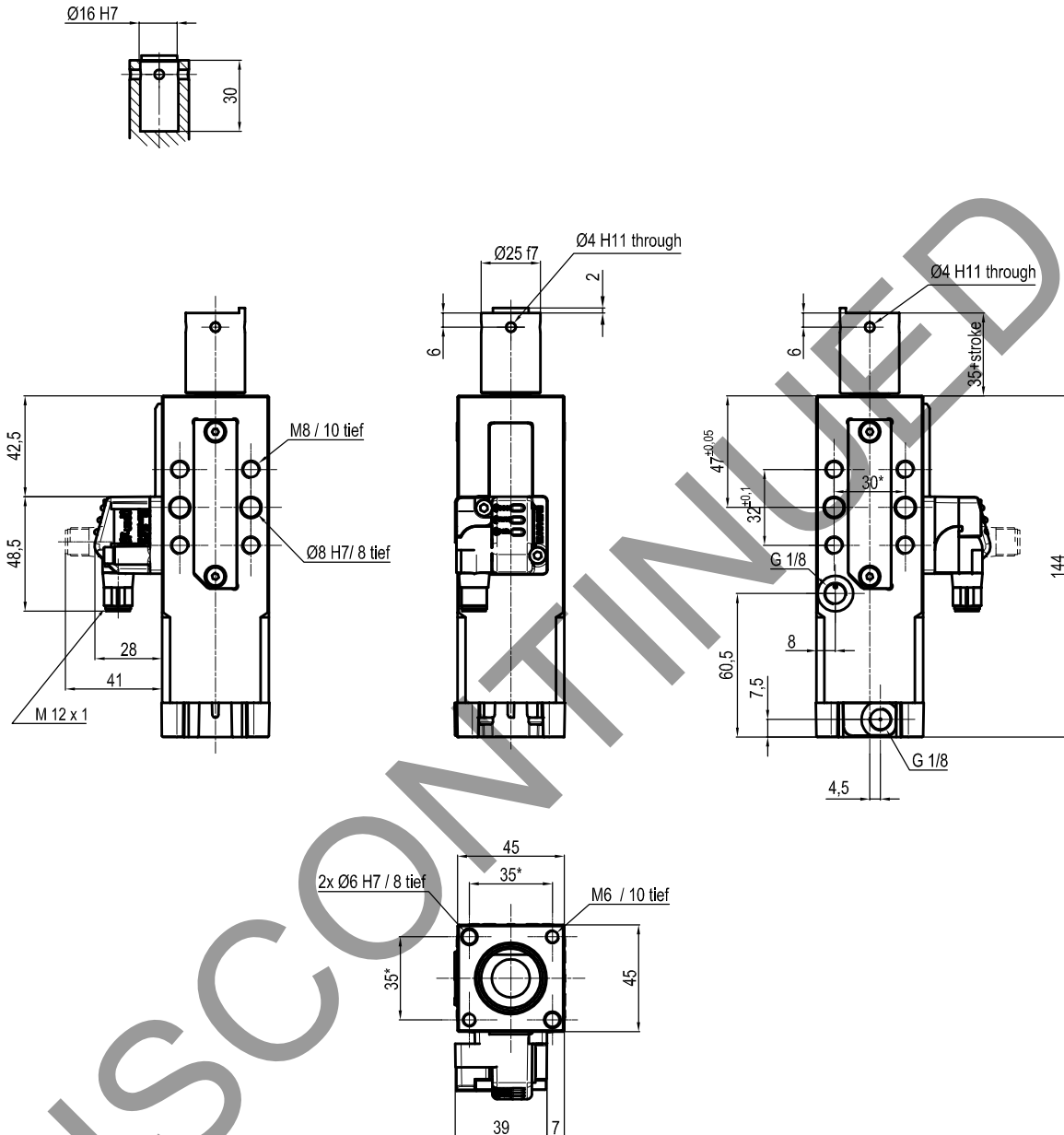
Bore Ø	Max. torque	Max. deflection moment	Weight
32 mm	6 Nm ±0.06°	5.5 Nm ±0.03°	1.7 Kg

Min./max. operating pressure: 0,4 / 0,6 MPa
 Operating temperature: 5° + 45° C
 Strokes in mm.: 20 - 40
 Electronic sensor with M12 swivel connector that can be orientated at 0° or 90°
 Supply voltage: 10+30 Vdc
 IP code: IP 65

* : TOLERANCE BETWEEN DOWEL HOLES ± 0.02, TO SCREW HOLES ± 0.1

Subject to technical modification without notice.

UNIVERSAL Pneumatic retractable locating pin unit



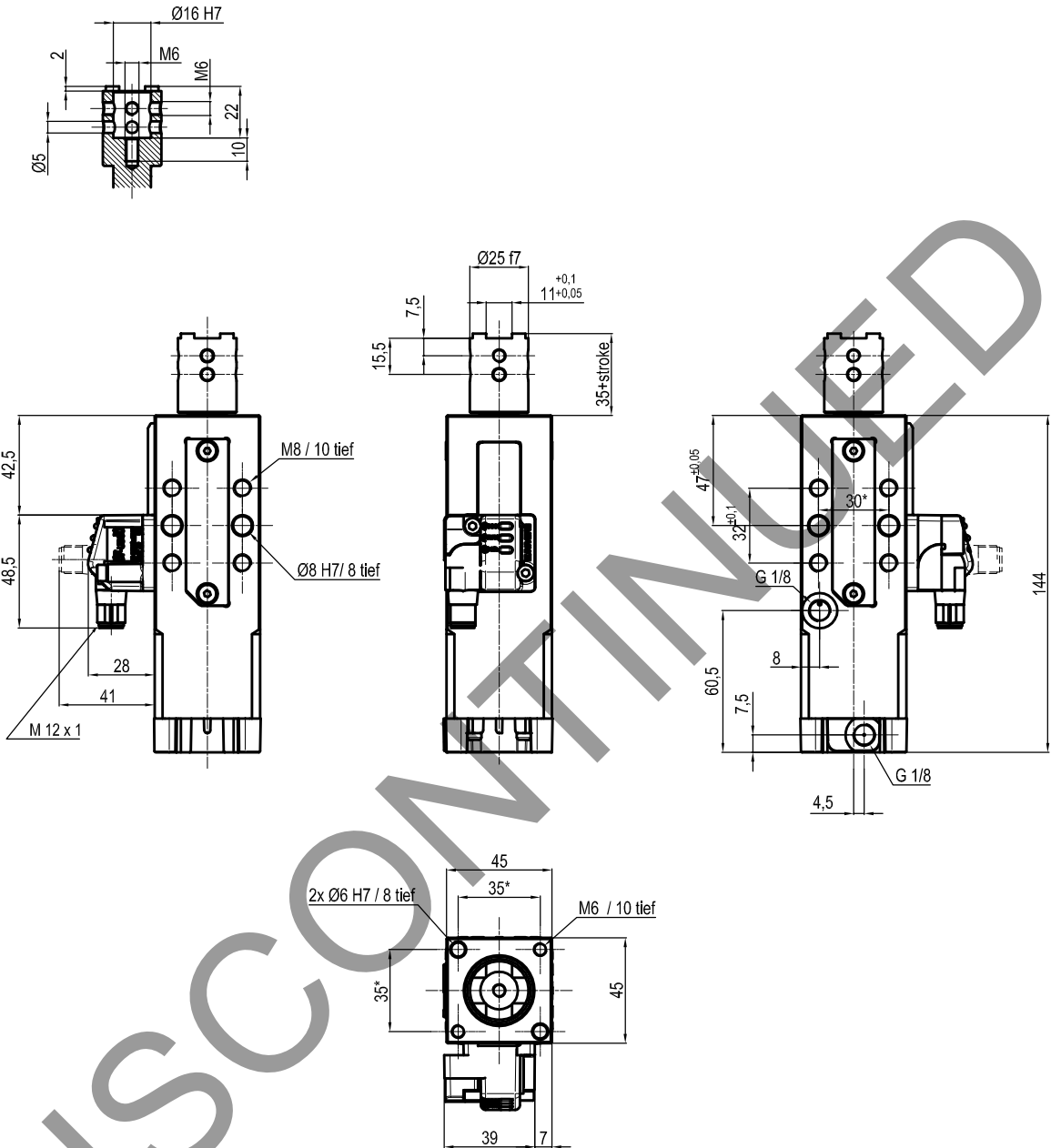
Bore Ø	Max. torque	Max. deflection moment	Weight
32 mm	6 Nm ±0.06°	5.5 Nm ±0.03°	1.7 Kg

Min./max. operating pressure: 0,4 / 0,6 MPa
 Operating temperature: 5° + 45° C
 Strokes in mm.: 20 - 40
 Electronic sensor with M12 swivel connector that can be orientated at 0° or 90°
 Supply voltage: 10+30 Vdc
 IP code: IP 65

* : TOLERANCE BETWEEN DOWEL HOLES ± 0.02, TO SCREW HOLES ± 0.1

Subject to technical modification without notice.

UNIVERSAL Pneumatic retractable locating pin unit



DISCOM T.M.

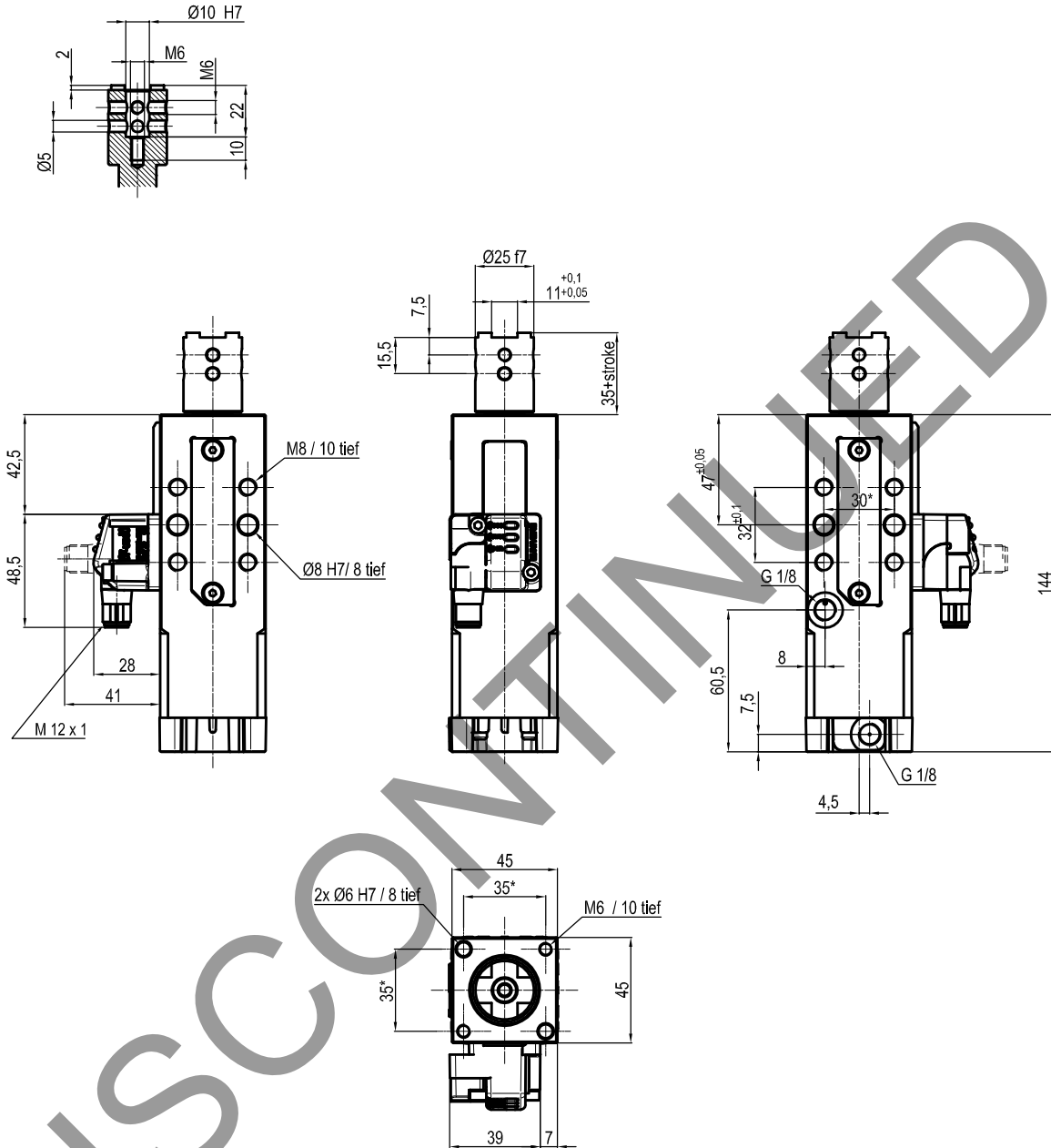
Bore Ø	Max. torque	Max. deflection moment	Weight
32 mm	6 Nm ±0.06°	5.5 Nm ±0.03°	1.7 Kg

Min./max. operating pressure: 0,4 / 0,6 MPa
 Operating temperature: 5° + 45° C
 Strokes in mm.: 20 - 40
 Electronic sensor with M12 swivel connector that can be orientated at 0° or 90°
 Supply voltage: 10+30 Vdc
 IP code: IP 65

* : TOLERANCE BETWEEN DOWEL HOLES ± 0.02, TO SCREW HOLES ± 0.1

Subject to technical modification without notice.

UNIVERSAL Pneumatic retractable locating pin unit



DISCONTINUED

Bore Ø	Max. torque	Max. deflection moment	Weight
32 mm	6 Nm ±0.06°	5.5 Nm ±0.03°	1.7 Kg

Min./max. operating pressure: 0,4 / 0,6 MPa
 Operating temperature: 5° + 45° C
 Strokes in mm.: 20 - 40
 Electronic sensor with M12 swivel connector that can be orientated at 0° or 90°
 Supply voltage: 10+30 Vdc
 IP code: IP 65

* : TOLERANCE BETWEEN DOWEL HOLES ± 0.02, TO SCREW HOLES ± 0.1

Subject to technical modification without notice.