

LCG63

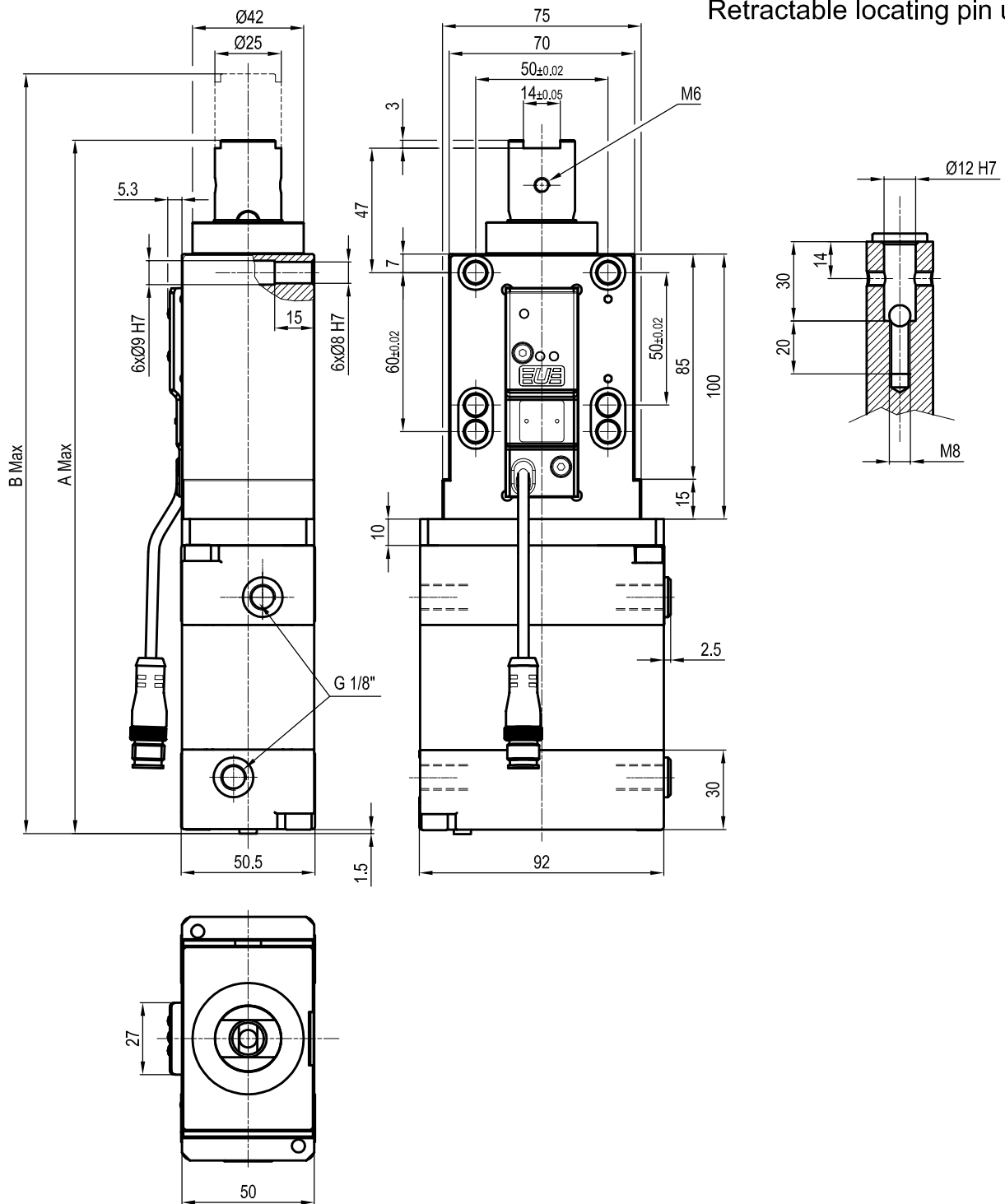
Pneumatic retractable locating pin unit conforming to **CNOMO** standard, single rod



L	C	G	6	3	0	5	0	U	1	2	R
1	2	3	4		5	6		7			

1 Series LC = Retractable locating pin unit conforming to CNOMO standard	2 Version P = Pneumatic, single rod	3 Size 63 = Ø 63 mm
4 Strokes 025 = 15 mm 050 = 25 mm	5 Sensing style U = Electronic sensor	6 Rod's inner Ø 12 = Ø 12 mm 20 = Ø 20 mm
7 Rod scraper R = Metallic rod scraper		

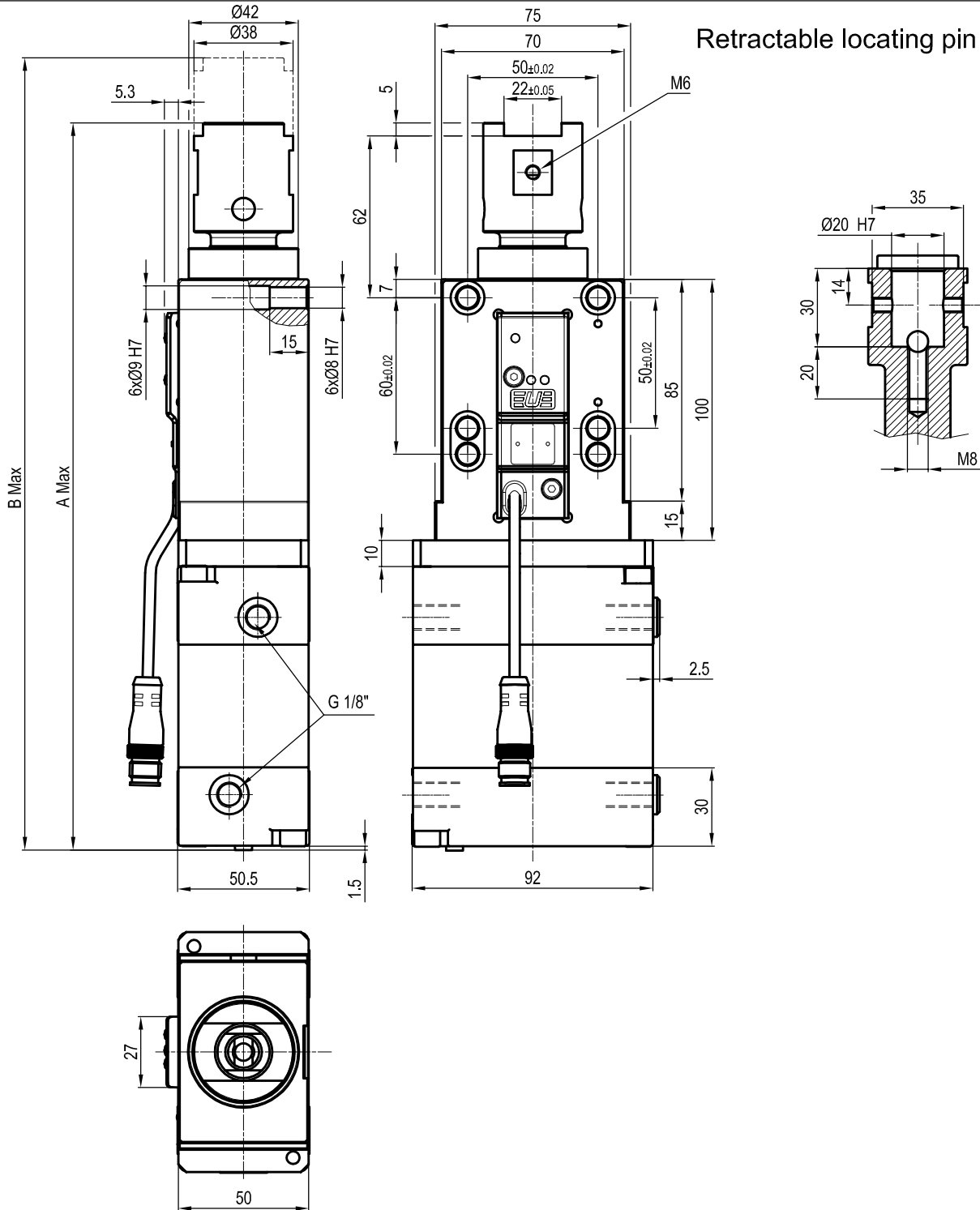
Retractable locating pin unit



ROD'S INNER Ø12				
CYLINDER Ø	STROKE	WEIGHT	A	B
CYLINDER Ø63	25 mm	2,4 Kg	265 mm	290 mm
CYLINDER Ø63	50 mm	2,5 Kg	290 mm	340 mm

Min./max. operating pressure: **0,4 / 0,6 MPa**
 Operating temperature: **5° ± 45° C**
 Electronic sensor with M12
 Supply voltage: 10÷30 Vdc
 IP code: **IP 65**
 Pneumatic ports on both sides

Retractable locating pin unit



ROD'S INNER Ø20				
CYLINDER Ø	STROKE	WEIGHT	A	B
CYLINDER Ø63	25 mm	2.4 Kg	280 mm	305 mm
CYLINDER Ø63	50 mm	2.5 Kg	305 mm	355 mm

Min./max. operating pressure: **0,4 / 0,6 MPa**
 Operating temperature: **5° ± 45° C**
 Electronic sensor with M12
 Supply voltage: 10÷30 Vdc
 IP code: **IP 65**
 Pneumatic ports on both sides