

# LCB32

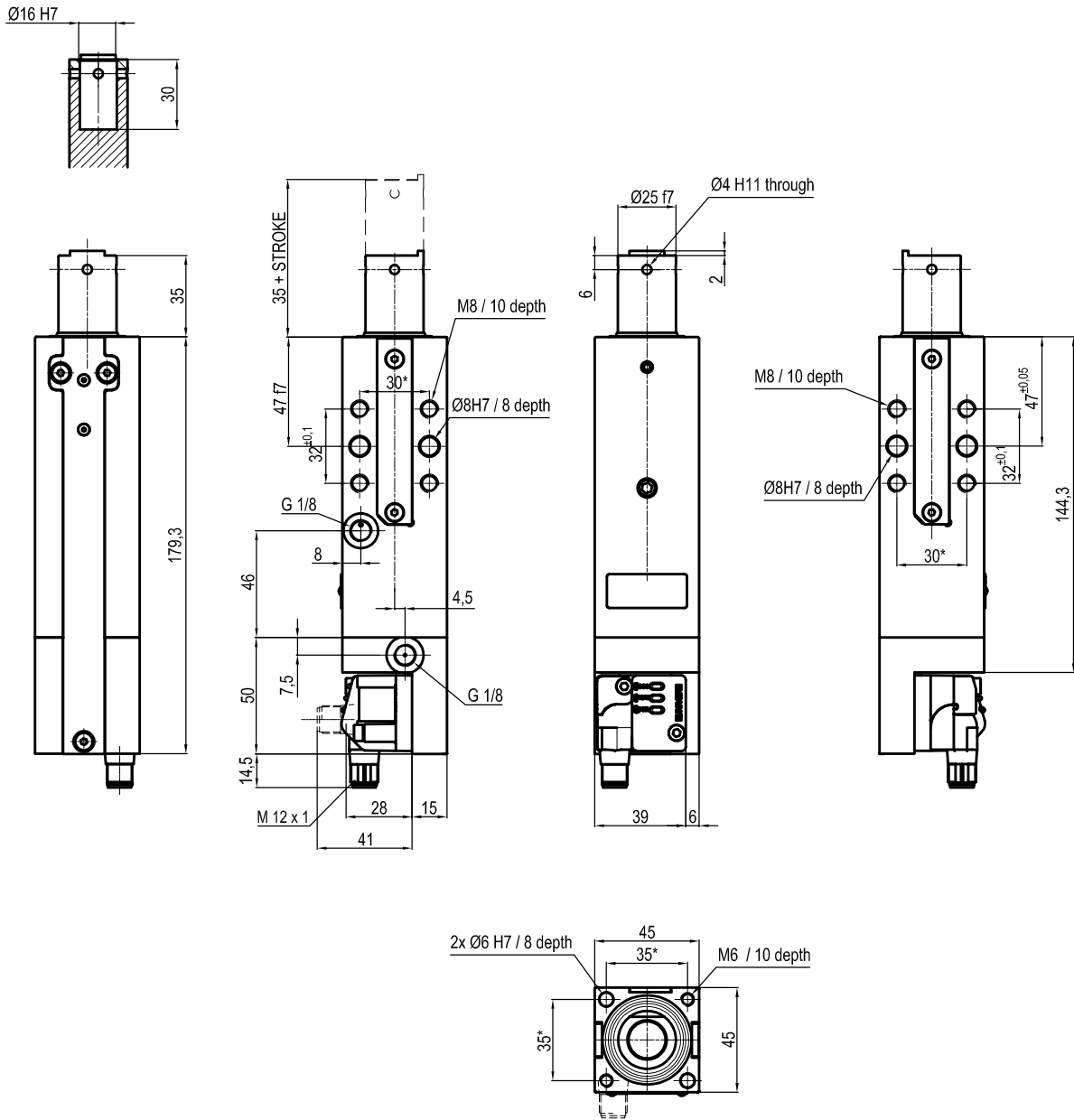
Pneumatic retractable locating pin unit,  
with rear sensor and **UNIVER** standard fixing,  
single rod, double guide



L	C	B	3	2	0	4	0	E	C	B
1	2	3	4		5	6	7			

<b>1 Series</b> <b>LC</b> = Retractable locating pin unit	<b>2 Version</b> <b>B</b> = Pneumatic, rear sensor, <b>UNIVER</b> standard fixing, single rod, double guide	<b>3 Size</b> <b>32</b> = Ø 32 mm
<b>4 Strokes</b> <b>020</b> = 20 mm <b>040</b> = 40 mm	<b>5 Sensor</b> <b>N</b> = No sensor (with protection plate) <b>E</b> = Electronic sensor with M12 swivel connector (DF-U)	<b>6 Rod end style</b> <b>B</b> = Rod with profiled end <b>C</b> = Rod with cross-profiled end inner Ø diameter 16 mm <b>E</b> = Rod with cross-profiled end inner Ø diameter 10 mm
<b>7 Option</b> <b>B</b> = Double internal guide and metallic rod scraper		

## UNIVERSAL Pneumatic retractable locating pin unit



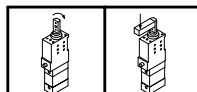
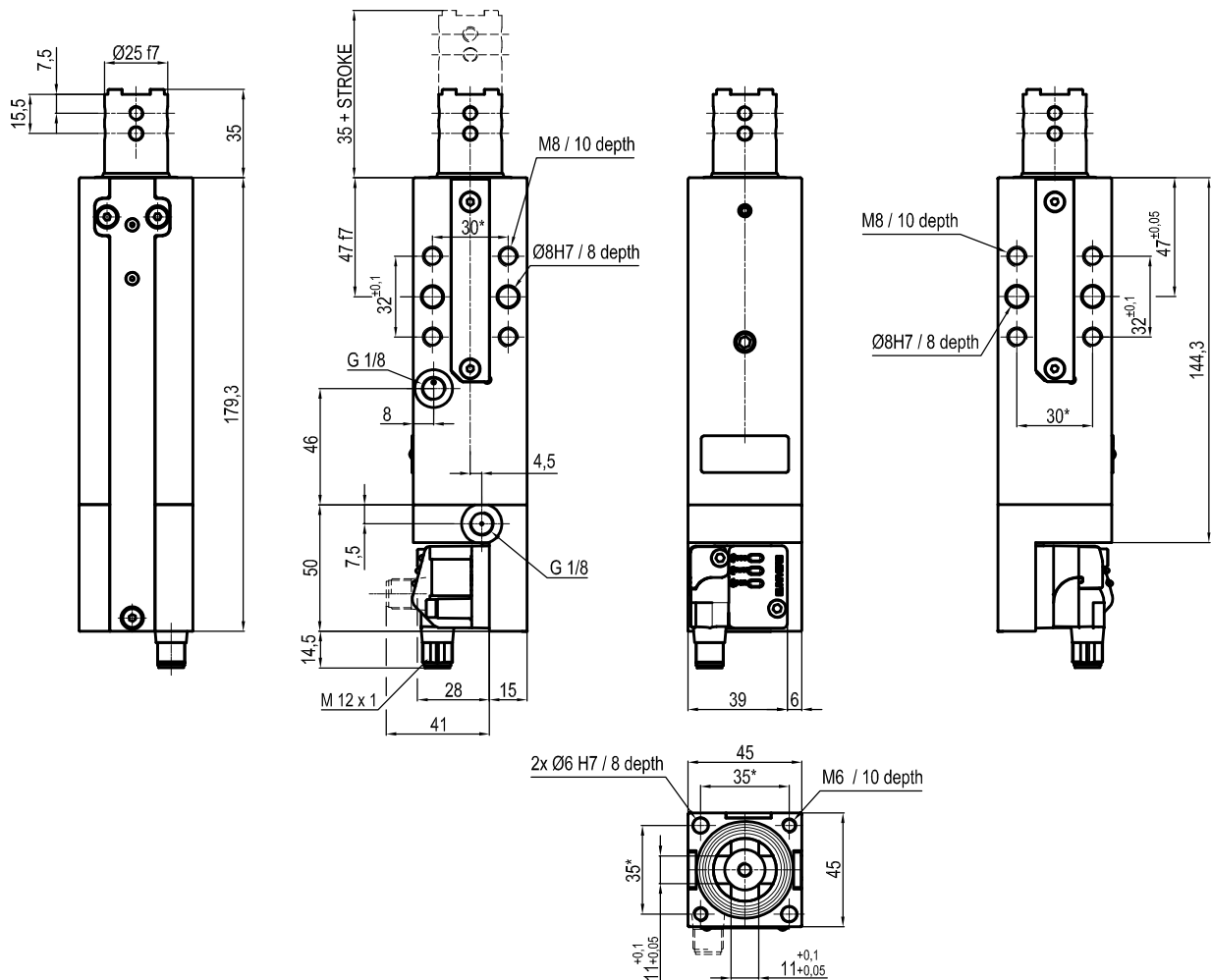
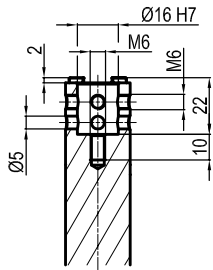
Bore Ø	Max. torque	Max. deflection moment	Weight
32 mm	6 Nm ±0.06°	5.5 Nm ±0.03°	1.0 Kg

Min./max. operating pressure: 0,4 / 0,6 MPa  
 Operating temperature: 5° + 45° C  
 Strokes in mm.: 20 - 40  
 Electronic sensor with M12 swivel connector that can be orientated at 0° or 90°  
 Supply voltage: 10+30 Vdc  
 IP code: IP 65

\* : TOLERANCE BETWEEN DOWEL HOLES ± 0.02, BETWEEN SCREW HOLES ± 0.1

Subject to technical modification without notice.

## UNIVERSAL Pneumatic retractable locating pin unit



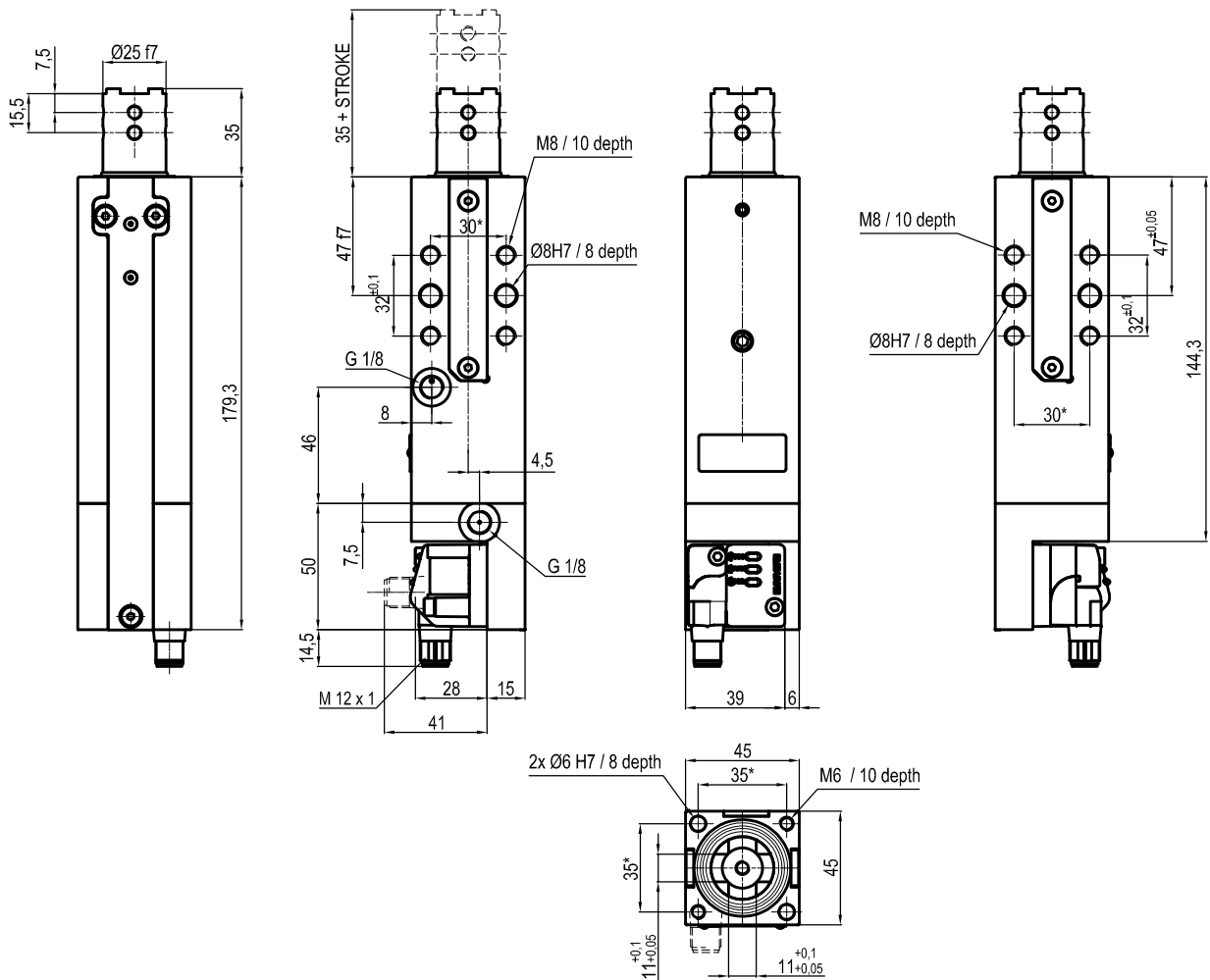
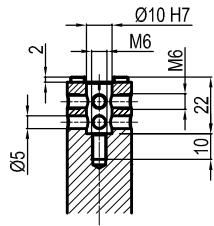
Bore Ø	Max. pull force 0.5 MPa	Max. push force 0.5 MPa	Max. torque 6 Nm	Max. deflection moment 5.5 Nm	Weight
32 mm	300N	390N	±0.06°	±0.03°	1.0 Kg

Min./max. operating pressure: 0,4 / 0,6 MPa  
 Operating temperature: 5° + 45° C  
 Strokes in mm.: 20 - 40  
 Electronic sensor with M12 swivel connector that can be orientated at 0° or 90°  
 Supply voltage: 10÷30 Vdc  
 IP code: IP 65

\* : TOLERANCE BETWEEN DOWEL HOLES ± 0.02, BETWEEN SCREW HOLES ± 0.1

Subject to technical modification without notice.

## UNIVERSAL Pneumatic retractable locating pin unit



Bore Ø	Max. torque	Max. deflection moment	Weight
32 mm	6 Nm ±0.06°	5.5 Nm ±0.03°	1.0 Kg

Min./max. operating pressure: 0,4 / 0,6 MPa  
 Operating temperature: 5° + 45° C  
 Strokes in mm.: 20 - 40  
 Electronic sensor with M12 swivel connector that can be orientated at 0° or 90°  
 Supply voltage: 10+30 Vdc  
 IP code: IP 65

\* : TOLERANCE BETWEEN DOWEL HOLES ± 0.02, BETWEEN SCREW HOLES ± 0.1

Subject to technical modification without notice.