

# LCA40

Pneumatic retractable locating pin unit,  
double orientable rod

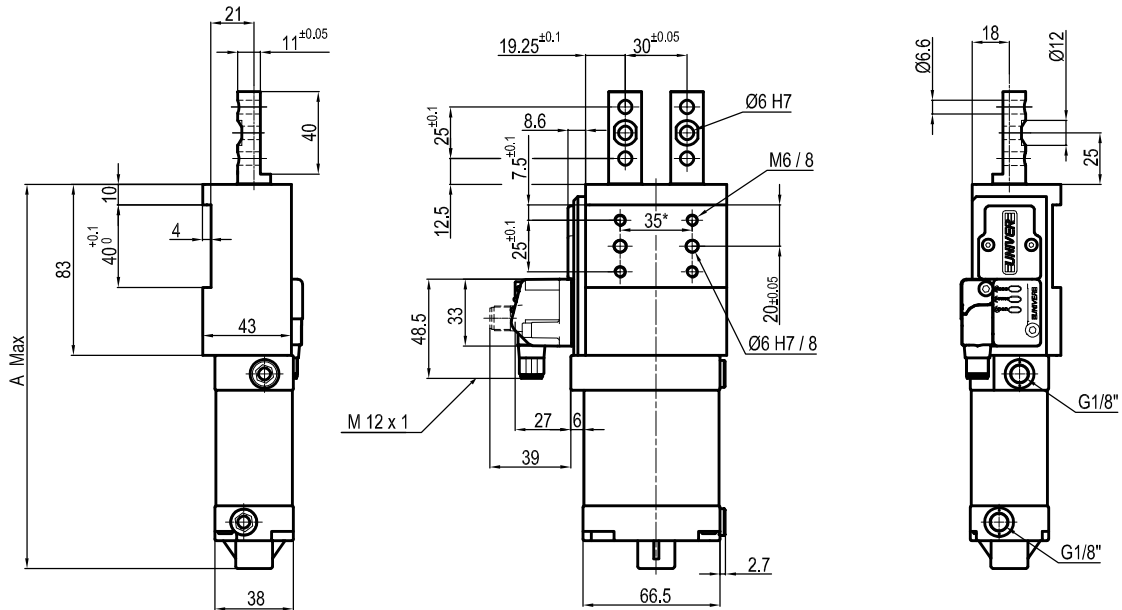


L	C	A	4	0	0	4	0	A	A	R
1	2	3	4		5	6	7			

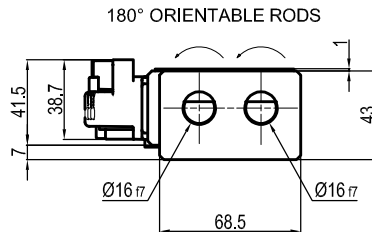
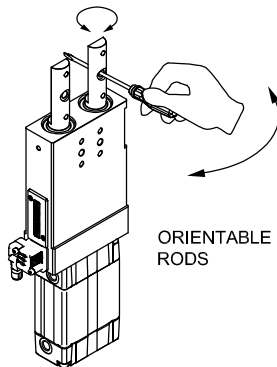
<b>1 Series</b> <b>LC</b> = Retractable locating pin unit	<b>2 Version</b> <b>A</b> = Pneumatic, double orientable rod	<b>3 Size</b> <b>40</b> = Ø 40 mm
<b>4 Strokes</b> <b>020</b> = 20 mm <b>040</b> = 40 mm	<b>5 Sensor</b> <b>N</b> = No sensor (with protection plate) <b>A</b> = Electronic sensor with M12 swivel connector DF-U	<b>6 Rod end style</b> <b>A</b> = Rod for off-set pins <b>N</b> = Rod for off-set pins with inverted holes (2 dowels - 1 screw)
<b>7 Option</b> <b>R</b> = Metallic rod scraper		



## UNIVERSAL Pneumatic retractable locating pin unit with double rod



Stroke	A
20 mm	166,5 mm
40 mm	186,5 mm



Bore Ø	Pull force at 0.5 MPa	Push force at 0.5 MPa	Max. torque 3 Nm	Max. deflection moment 6 Nm	Weight
40 mm	550 N	600 N	0.06 mm	0.025 mm	1.35 Kg

X = 100 mm

Min./max. operating pressure: **0,4 / 0,6 MPa**  
 Operating temperature: **5° ± 45° C**  
 Strokes in mm.: **20 - 40**

Electronic sensor with M12 swivel connector that can be orientated at 0° or 90°  
 Supply voltage: 10÷30 Vdc

IP code: **IP 65**  
 Pneumatic ports on both sides

\* : TOLERANCE BETWEEN DOWEL HOLES ± 0.02, BETWEEN SCREW HOLES ± 0.1

Subject to technical modification without notice.

# LCA40

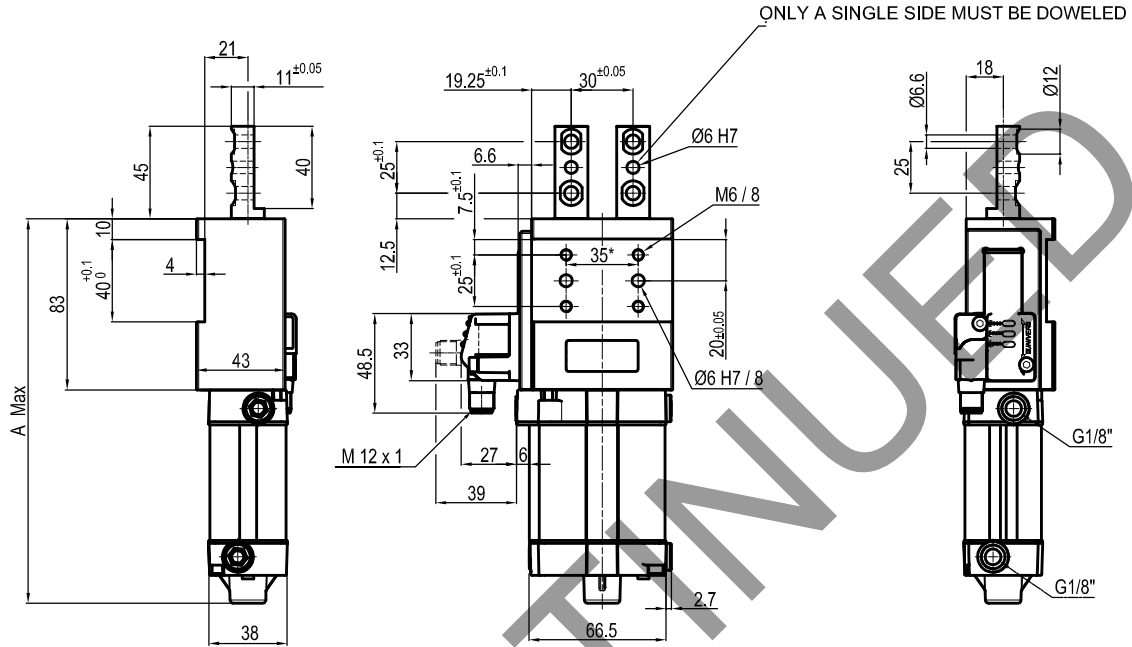
Pneumatic retractable locating pin unit,  
double rod



L	C	A	4	0	0	4	0	E	A	R
1	2	3	4		5	6	7			

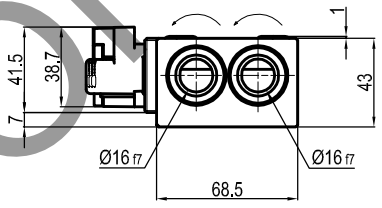
<b>1 Series</b> LC = Retractable locating pin unit	<b>2 Version</b> A = Pneumatic, double rod	<b>3 Size</b> 40 = Ø 40 mm
<b>4 Strokes</b> 020 = 20 mm 040 = 40 mm	<b>5 Sensor</b> N = No sensor (with protection plate) E = Electronic sensor with M12 swivel connector	<b>6 Rod end style</b> A = Rod for off-set pins N = Rod for off-set pins with inverted holes (2 dowels - 1 screw)
<b>7 Rod scraper</b> R = Metallic rod scraper		

## UNIVERSAL Pneumatic retractable locating pin unit with double rod



ONLY A SINGLE SIDE MUST BE DOWELED

180° ORIENTABLE RODS



Stroke	A
20 mm	166,5 mm
40 mm	186,5 mm

Bore Ø	Max. pull force 0.5 MPa	Max. push force 0.5 MPa	Max. torque	Max. deflection moment	Weight
40 mm	550 N	600 N	3 Nm ±0.1°	6 Nm ±0.03°	1.8 Kg

Min./max. operating pressure: **0,4 / 0,6 MPa**  
 Operating temperature: **5° + 45° C**  
 Strokes in mm.: **20 - 40**

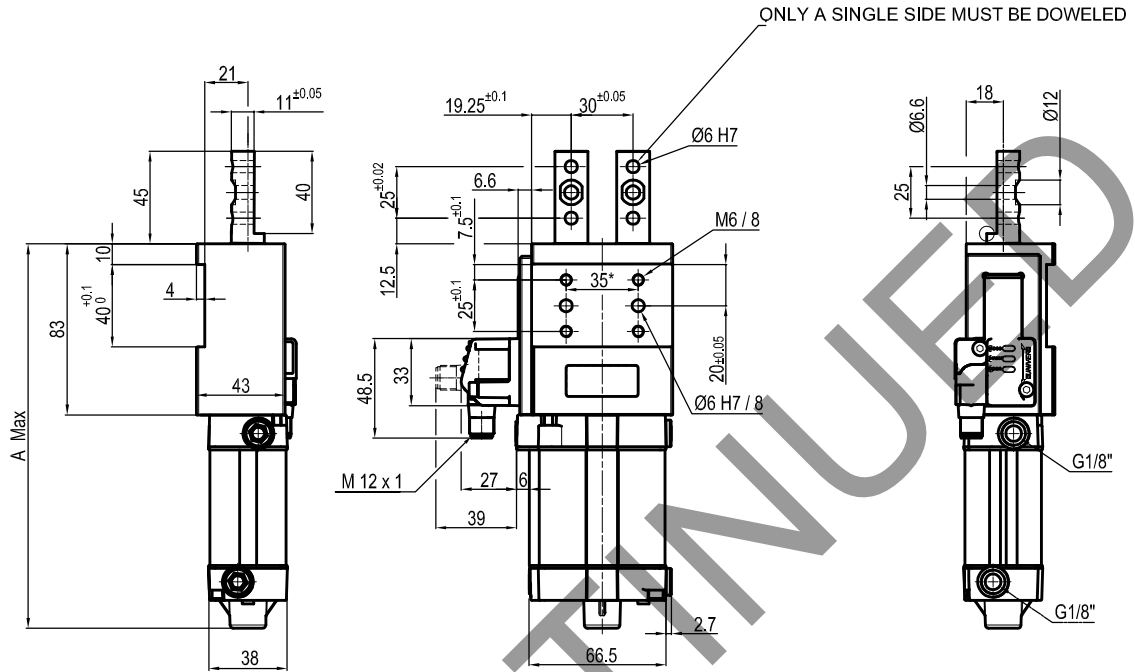
Electronic sensor with M12 swivel connector that can be orientated at 0° or 90°  
 Supply voltage: 10÷30 Vdc

IP code: **IP 65**  
 Pneumatic ports on both sides

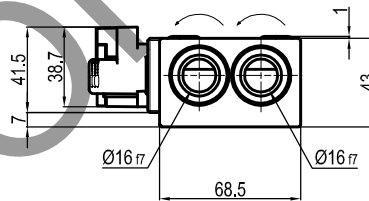
\* : TOLERANCE BETWEEN DOWEL HOLES ± 0.02, TO SCREW HOLES ± 0.1

Subject to technical modification without notice.

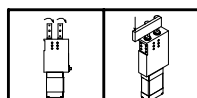
## UNIVERSAL Pneumatic retractable locating pin unit with double rod



180° ORIENTABLE RODS



Stroke	A
20 mm	166,5 mm
40 mm	186,5 mm



Bore Ø	Max. pull force 0.5 MPa	Max. push force 0.5 MPa	Max. torque	Max. deflection moment	Weight
40 mm	550 N	600 N	3 Nm ±0,1°	6 Nm ±0,03°	1.8 Kg

Min./max. operating pressure: **0,4 / 0,6 MPa**  
 Operating temperature: **5° + 45° C**  
 Strokes in mm.: **20 - 40**

Electronic sensor with M12 swivel connector that can be orientated at 0° or 90°  
 Supply voltage: 10÷30 Vdc

IP code: **IP 65**  
 Pneumatic ports on both sides

\* : TOLERANCE BETWEEN DOWEL HOLES ± 0.02, TO SCREW HOLES ± 0.1

Subject to technical modification without notice.