

# LCM50

Pneumatic retractable locating pin unit with hand lever, single rod



L	C	M	5	0	0	5	0	A	A	E	R
1	2	3	4				5	6	7	8	

<b>1 Series</b>	<b>2 Version</b>	<b>3 Size</b>
-----------------	------------------	---------------

LC = Retractable locating pin unit

M = Pneumatic with hand lever, single rod

50 = Ø 50 mm

<b>4 Strokes</b>	<b>5 Sensor</b>	<b>6 Rod end style</b>
------------------	-----------------	------------------------

015 = 15 mm  
025 = 25 mm  
040 = 40 mm  
050 = 50 mm  
060 = 60 mm

D = Pneumatic sensor with double air supply  
N = No sensor (with protection plate)  
A = Electronic sensor with M12 swivel connector DF-U

A = Rod for off-set pins  
B = Rod with profiled end  
C = Rod with cross-profiled end inner Ø 16 mm  
D = Rod for off-set pins with oversized dowel holes  
E = Rod with cross-profiled end with inner Ø 10 mm  
F = Rod for side mounting  
H = Rod with flat end, inner Ø 10 mm  
I = Rod with flat end, inner Ø 12 mm  
L = Rod with inner Ø 12 mm compatible with CNOMO standard  
M = Rod with inner Ø 20 mm compatible with CNOMO standard

<b>7 Rod orientation</b>	<b>8 Option</b>
--------------------------	-----------------

E = East, standard



O = West



N = North



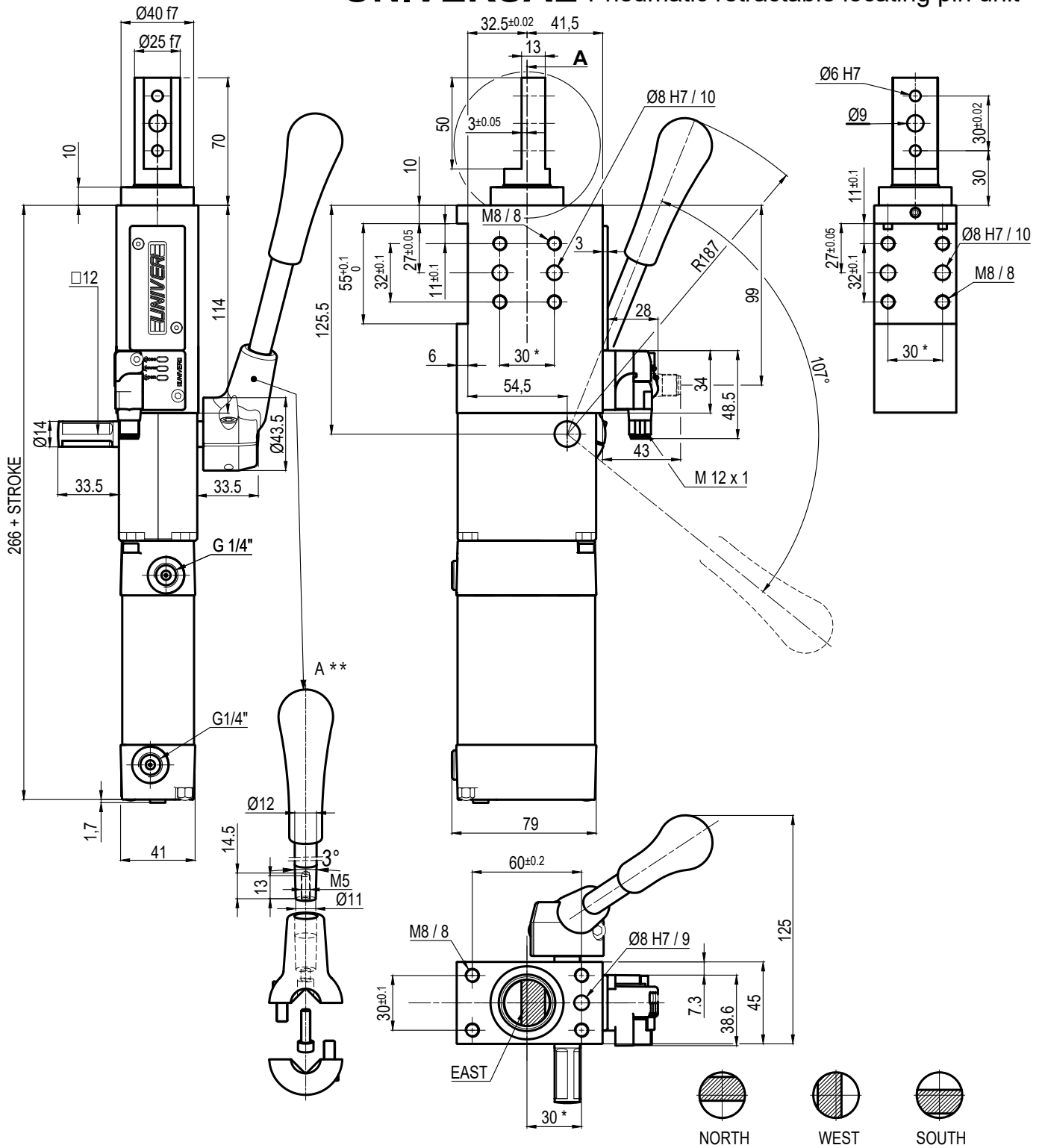
S = South



R = Metallic rod scraper

Only with A and D rod end styles

## UNIVERSAL Pneumatic retractable locating pin unit



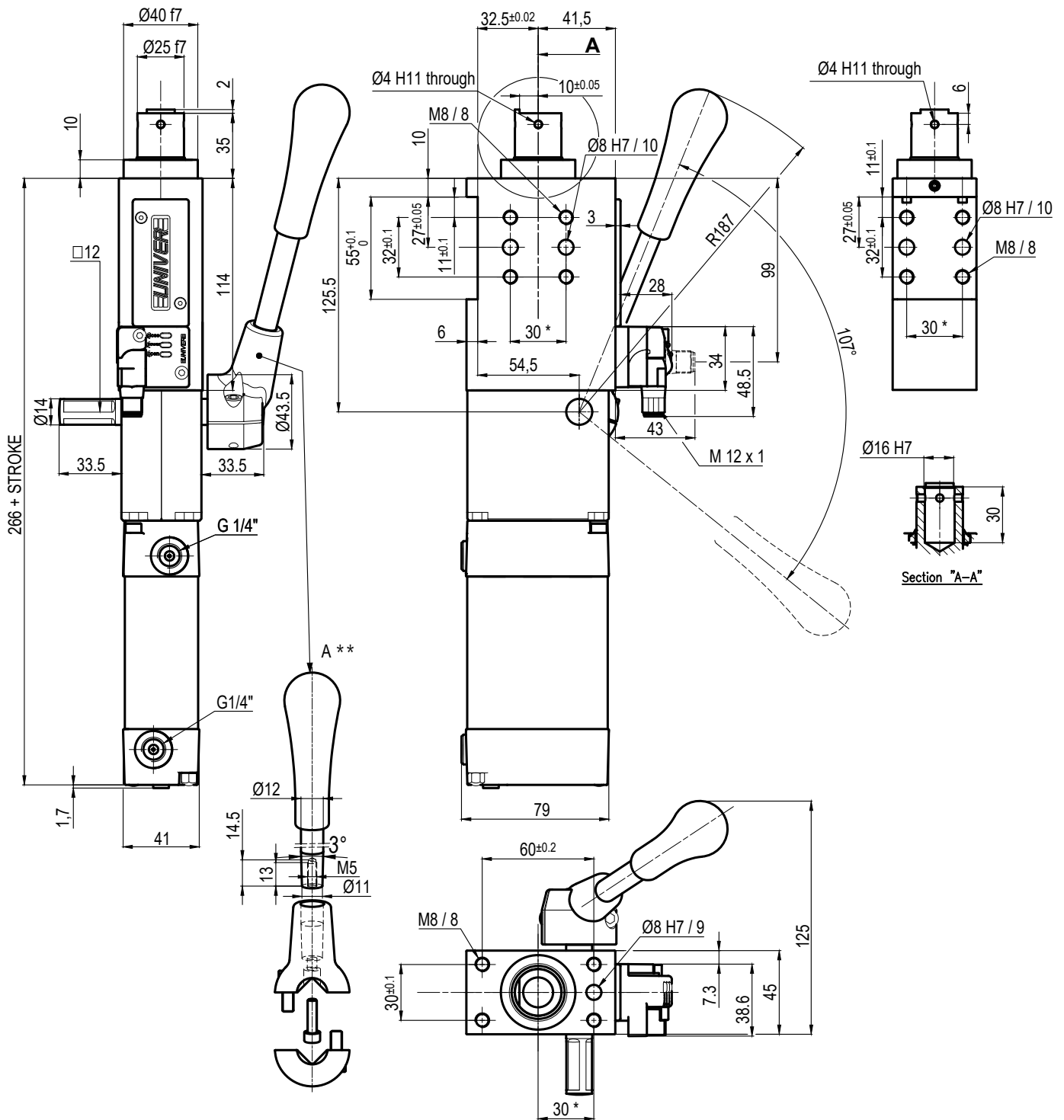
Bore $\varnothing$	Max. pull force 0.5 MPa	Max. push force 0.5 MPa	Max. torque 6 Nm	Max. deflection moment 7.5 Nm	Weight
50 mm	560N	615N	$\pm 0.06^\circ$	$\pm 0.03^\circ$	3.4 Kg

Min./max. operating pressure: **0,4 / 0,6 MPa**  
 Operating temperature:  **$5^\circ \pm 45^\circ \text{C}$**   
 Strokes in mm.: **15 - 25 - 40 - 50 - 60**  
 With manual lever  
 Electronic sensor with M12 swivel connector that can be orientated at  $0^\circ$  or  $90^\circ$   
 Supply voltage: 10+30 Vdc  
 IP code: **IP 65**  
 Pneumatic ports on both sides

\* : TOLERANCE BETWEEN DOWEL HOLES  $\pm 0.02$ , BETWEEN SCREW HOLES  $\pm 0.1$   
 \*\* : DIMENSIONS TO BE RESPECTED IN CASE OTHER MANUAL LEVERS ARE USED

Subject to technical modification without notice.

## UNIVERSAL Pneumatic retractable locating pin unit



Bore Ø	Max. pull force 0.5 MPa	Max. push force 0.5 MPa	Max. torque 6 Nm	Max. deflection moment 7.5 Nm	Weight
50 mm	560N	615N	±0.06°	±0.03°	3.4 Kg

Min./max. operating pressure: **0,4 / 0,6 MPa**

Operating temperature: **5° ÷ 45° C**

Strokes in mm.: **15 - 25 - 40 - 50 - 60**

With manual lever

Electronic sensor with M12 swivel connector that can be orientated at 0° or 90°

Supply voltage: 10÷30 Vdc

IP code: **IP 65**

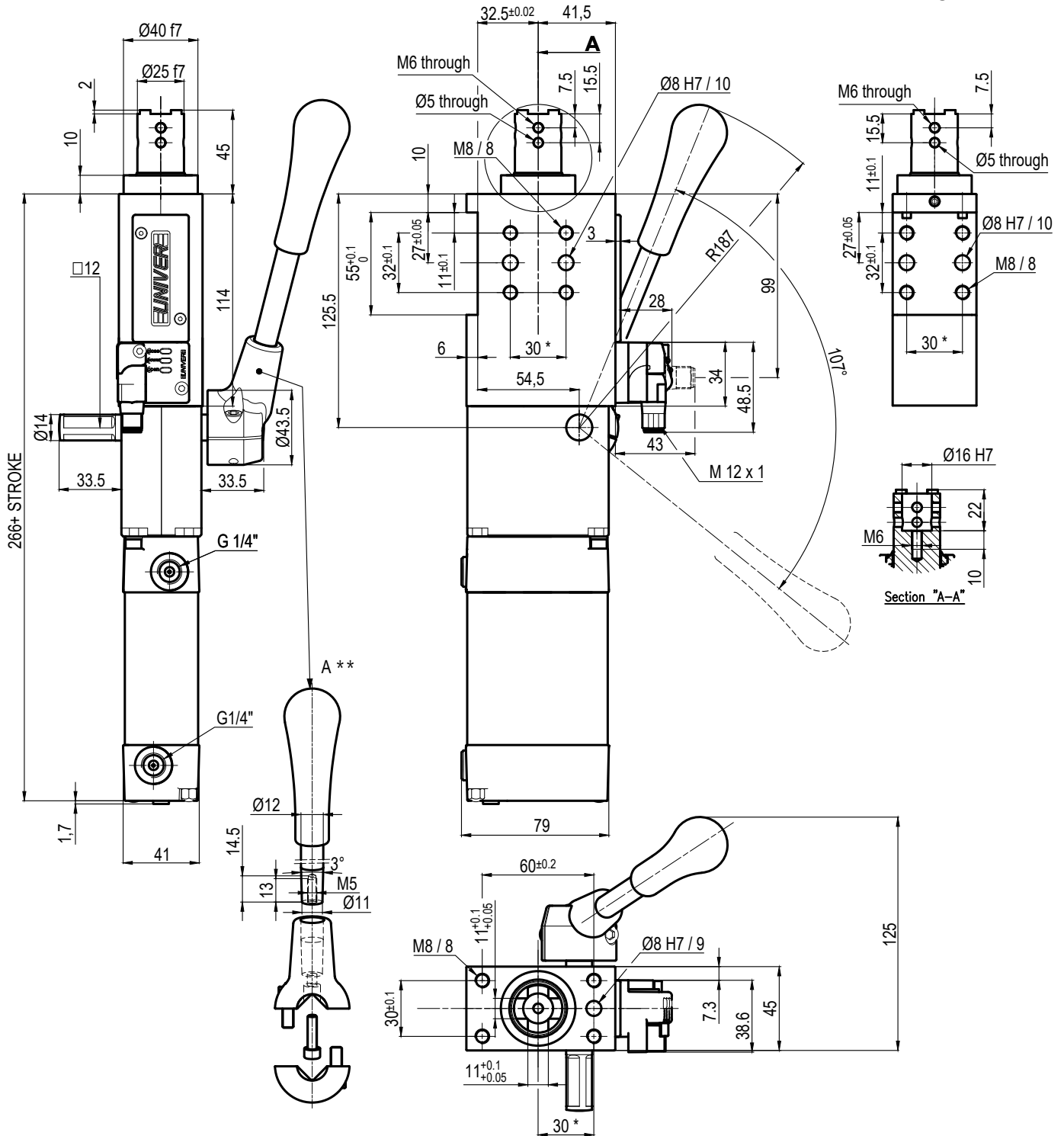
Pneumatic ports on both sides

\* : TOLERANCE BETWEEN DOWEL HOLES ± 0.02, BETWEEN SCREW HOLES ± 0.1

\*\* : DIMENSIONS TO BE RESPECTED IN CASE OTHER MANUAL LEVERS ARE USED

Subject to technical modification without notice.

## UNIVERSAL Pneumatic retractable locating pin unit



Bore Ø	Max. pull force 0.5 MPa	Max. push force 0.5 MPa	Max. torque 6 Nm	Max. deflection moment 7.5 Nm	Weight
50 mm	560N	615N	±0.06°	±0.03°	3.4 Kg

Min./max. operating pressure: **0,4 / 0,6 MPa**

Operating temperature: **5° ÷ 45° C**

Strokes in mm.: **15 - 25 - 40 - 50 - 60**

With manual lever

Electronic sensor with M12 swivel connector that can be orientated at 0° or 90°

Supply voltage: 10÷30 Vdc

IP code: **IP 65**

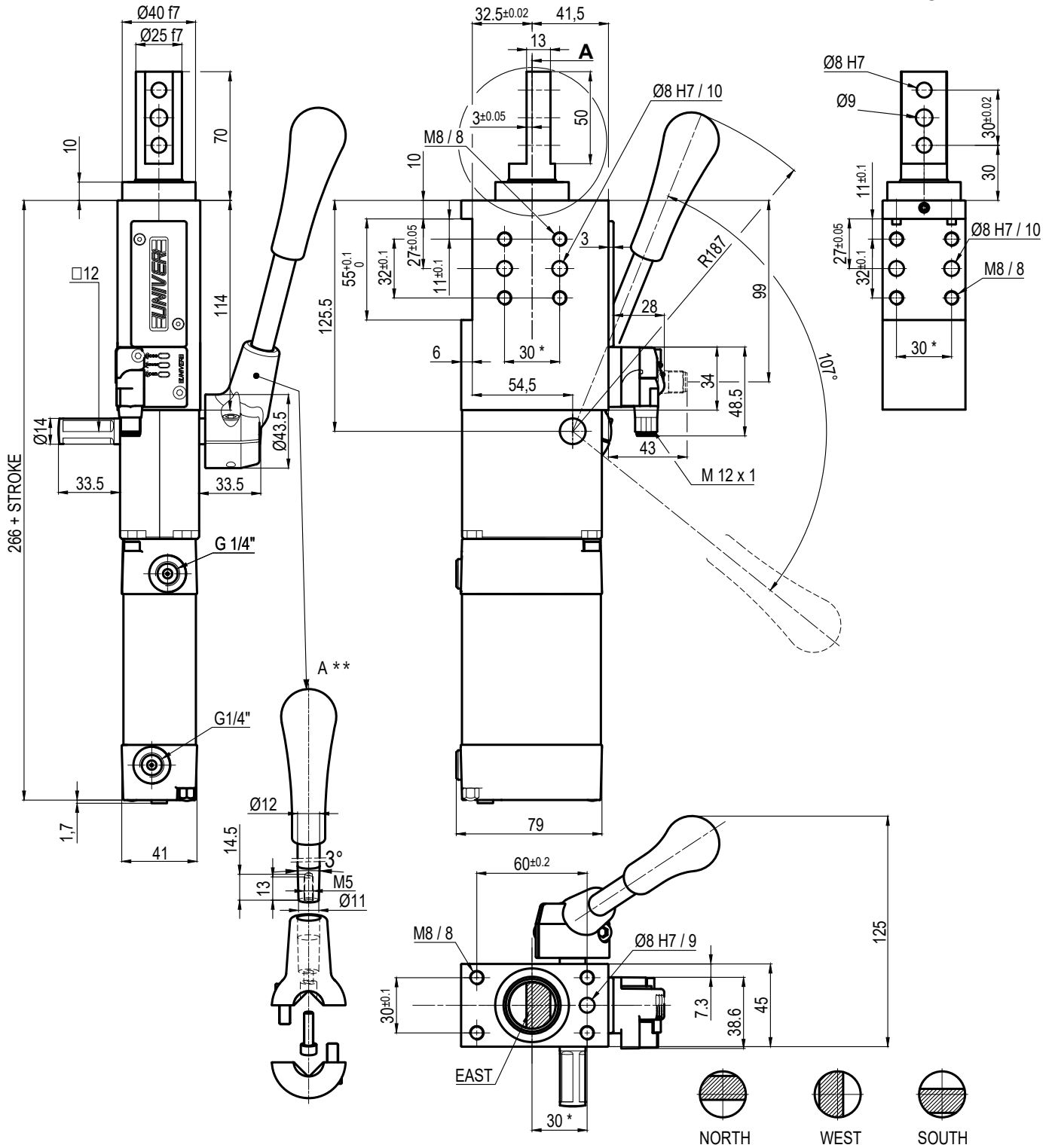
Pneumatic ports on both sides

\* : TOLERANCE BETWEEN DOWEL HOLES ± 0.02, BETWEEN SCREW HOLES ± 0.1

\*\* : DIMENSIONS TO BE RESPECTED IN CASE OTHER MANUAL LEVERS ARE USED

Subject to technical modification without notice.

## UNIVERSAL Pneumatic retractable locating pin unit



Bore Ø	Max. pull force 0.5 MPa	Max. push force 0.5 MPa	Max. torque 6 Nm	Max. deflection moment 7.5 Nm	Weight
50 mm	560N	615N	±0.06°	7.5 Nm ±0.03°	3.4 Kg

Min./max. operating pressure: **0,4 / 0,6 MPa**

Operating temperature: **5° ± 45° C**

Strokes in mm.: **15 - 25 - 40 - 50 - 60**

With manual lever

Electronic sensor with M12 swivel connector that can be orientated at 0° or 90°

Supply voltage: 10+30 Vdc

IP code: **IP 65**

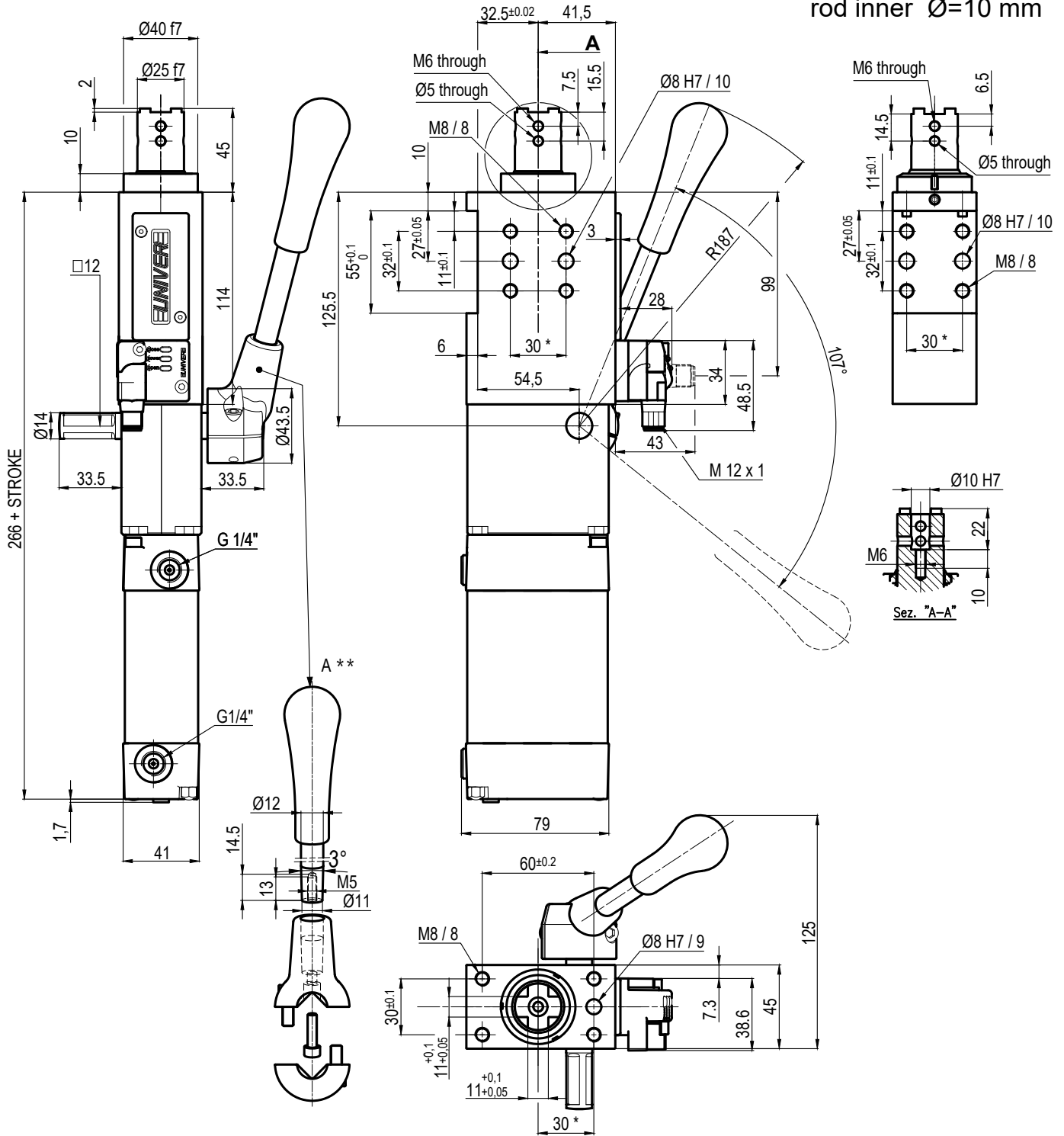
Pneumatic ports on both sides

\* : TOLERANCE BETWEEN DOWEL HOLES ± 0.02, BETWEEN SCREW HOLES ± 0.1

\*\* : DIMENSIONS TO BE RESPECTED IN CASE OTHER MANUAL LEVERS ARE USED

Subject to technical modification without notice.

## UNIVERSAL Pneumatic retractable locating pin unit rod inner $\varnothing=10$ mm



Bore $\varnothing$	Max. pull force 0.5 MPa	Max. push force 0.5 MPa	Max. torque 6 Nm	Max. deflection moment 7.5 Nm	Weight
50 mm	560N	615N	$\pm 0.06^\circ$	$\pm 0.03^\circ$	3.4 Kg

Min./max. operating pressure: **0,4 / 0,6 MPa**

Operating temperature: **5° ÷ 45° C**

Strokes in mm.: **15 - 25 - 40 - 50 - 60**

With manual lever

Electronic sensor with M12 swivel connector that can be orientated at 0° or 90°

Supply voltage: 10÷30 Vdc

IP code: **IP 65**

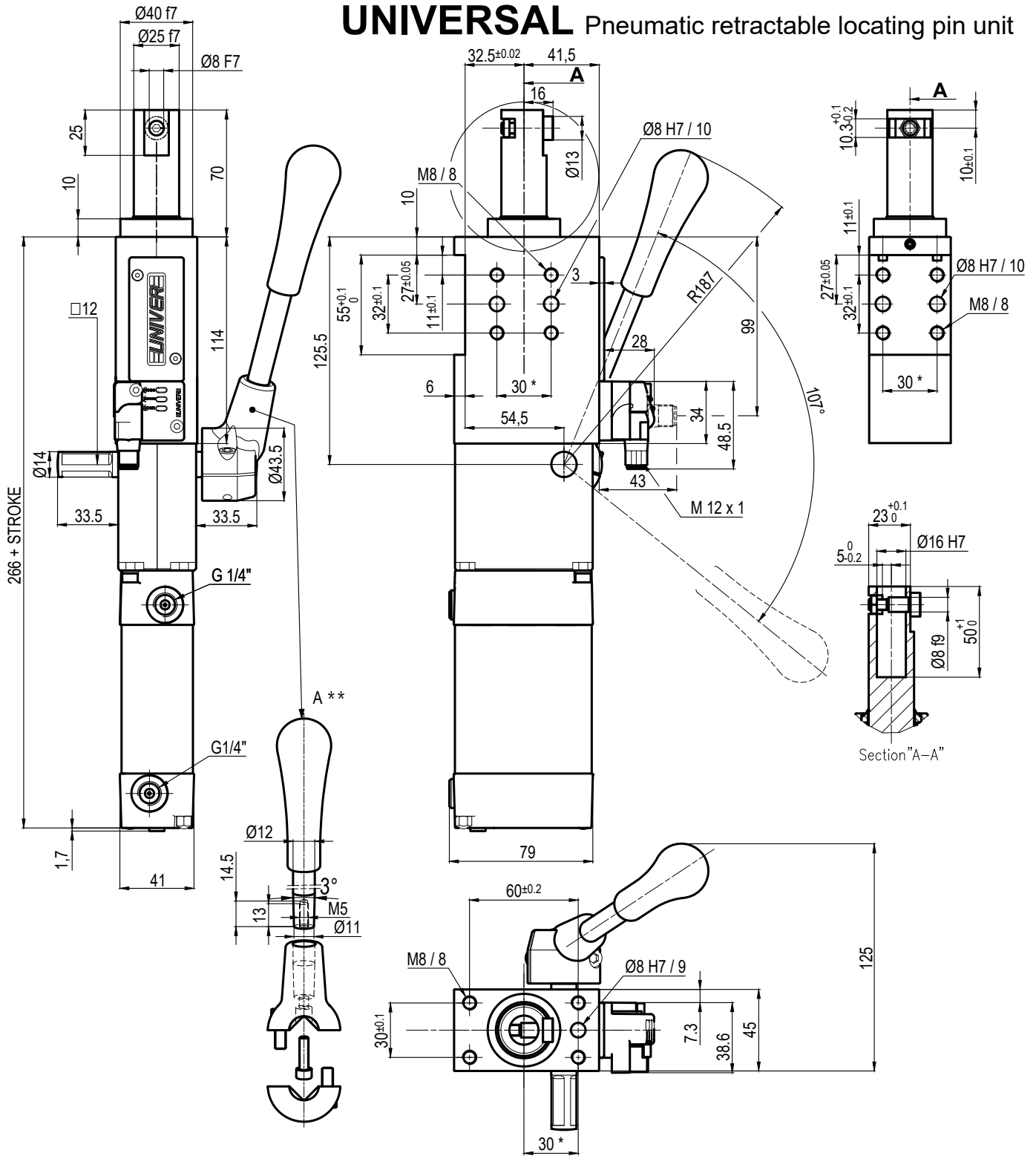
Pneumatic ports on both sides

\* : TOLERANCE BETWEEN DOWEL HOLES  $\pm 0.02$ , BETWEEN SCREW HOLES  $\pm 0.1$

\*\* : DIMENSIONS TO BE RESPECTED IN CASE OTHER MANUAL LEVERS ARE USED

Subject to technical modification without notice.

## UNIVERSAL Pneumatic retractable locating pin unit



Bore Ø	Max. pull force 0.5 MPa	Max. push force 0.5 MPa	Max. torque 6 Nm	Max. deflection moment 7.5 Nm	Weight
50 mm	560N	615N	±0.06°	±0.03°	3.4 Kg

Min./max. operating pressure: **0,4 / 0,6 MPa**

Operating temperature: **5° ÷ 45° C**

Strokes in mm.: **15 - 25 - 40 - 50 - 60**

With manual lever

Electronic sensor with M12 swivel connector that can be orientated at 0° or 90°

Supply voltage: 10+30 Vdc

IP code: **IP 65**

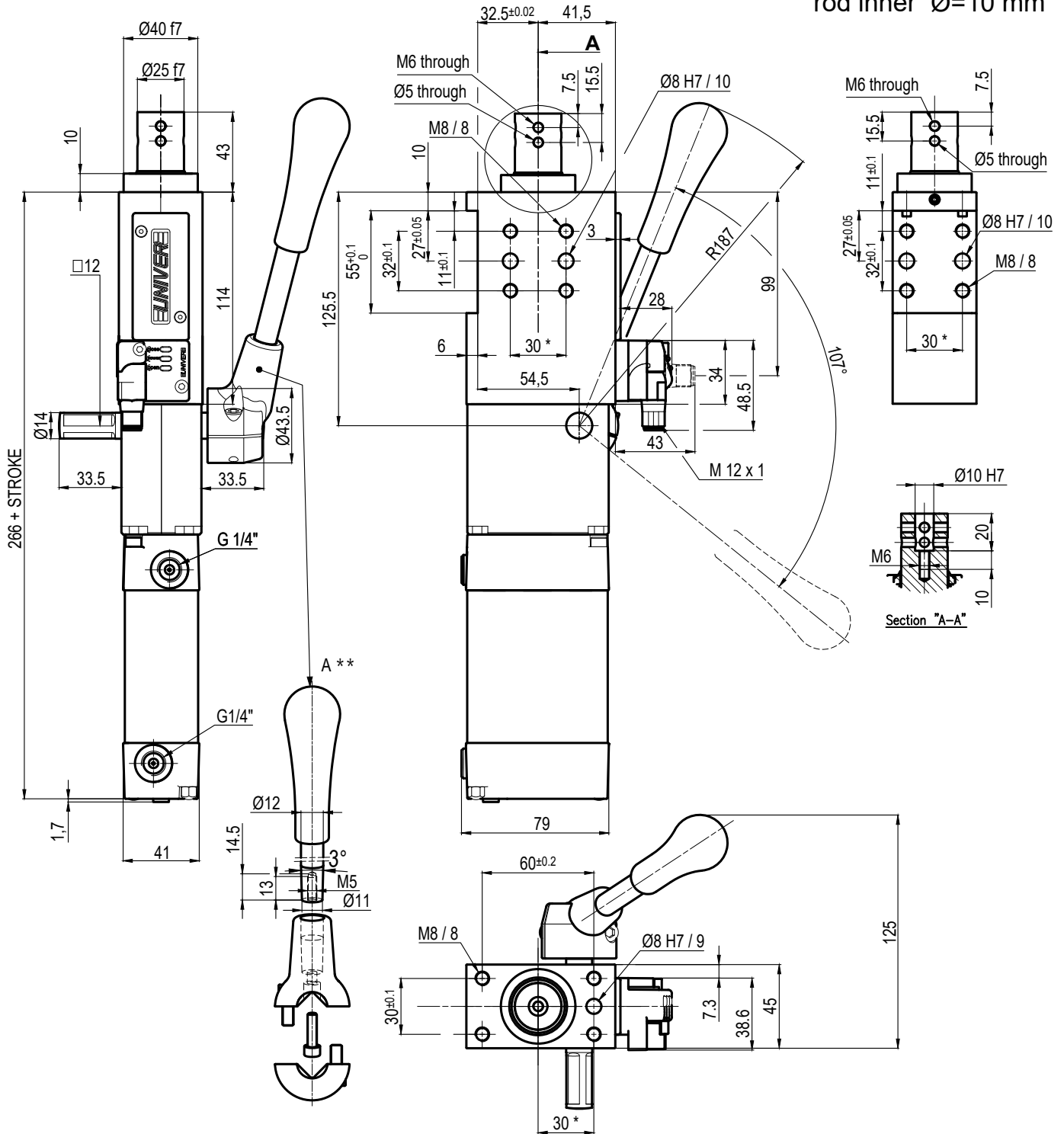
Pneumatic ports on both sides

\* : TOLERANCE BETWEEN DOWEL HOLES ± 0.02, BETWEEN SCREW HOLES ± 0.1

\*\* : DIMENSIONS TO BE RESPECTED IN CASE OTHER MANUAL LEVERS ARE USED

Subject to technical modification without notice.

## UNIVERSAL Pneumatic retractable locating pin unit rod inner $\varnothing=10$ mm



Bore $\varnothing$	Max. pull force 0.5 MPa	Max. push force 0.5 MPa	Max. torque 6 Nm	Max. deflection moment 7.5 Nm	Weight
50 mm	560N	615N	$\pm 0.06^\circ$	$\pm 0.03^\circ$	3.4 Kg

Min./max. operating pressure: **0,4 / 0,6 MPa**

Operating temperature:  **$5^\circ \div 45^\circ$  C**

Strokes in mm.: **15 - 25 - 40 - 50 - 60**

With manual lever

Electronic sensor with M12 swivel connector that can be orientated at  $0^\circ$  or  $90^\circ$

Supply voltage: 10+30 Vdc

IP code: **IP 65**

Pneumatic ports on both sides

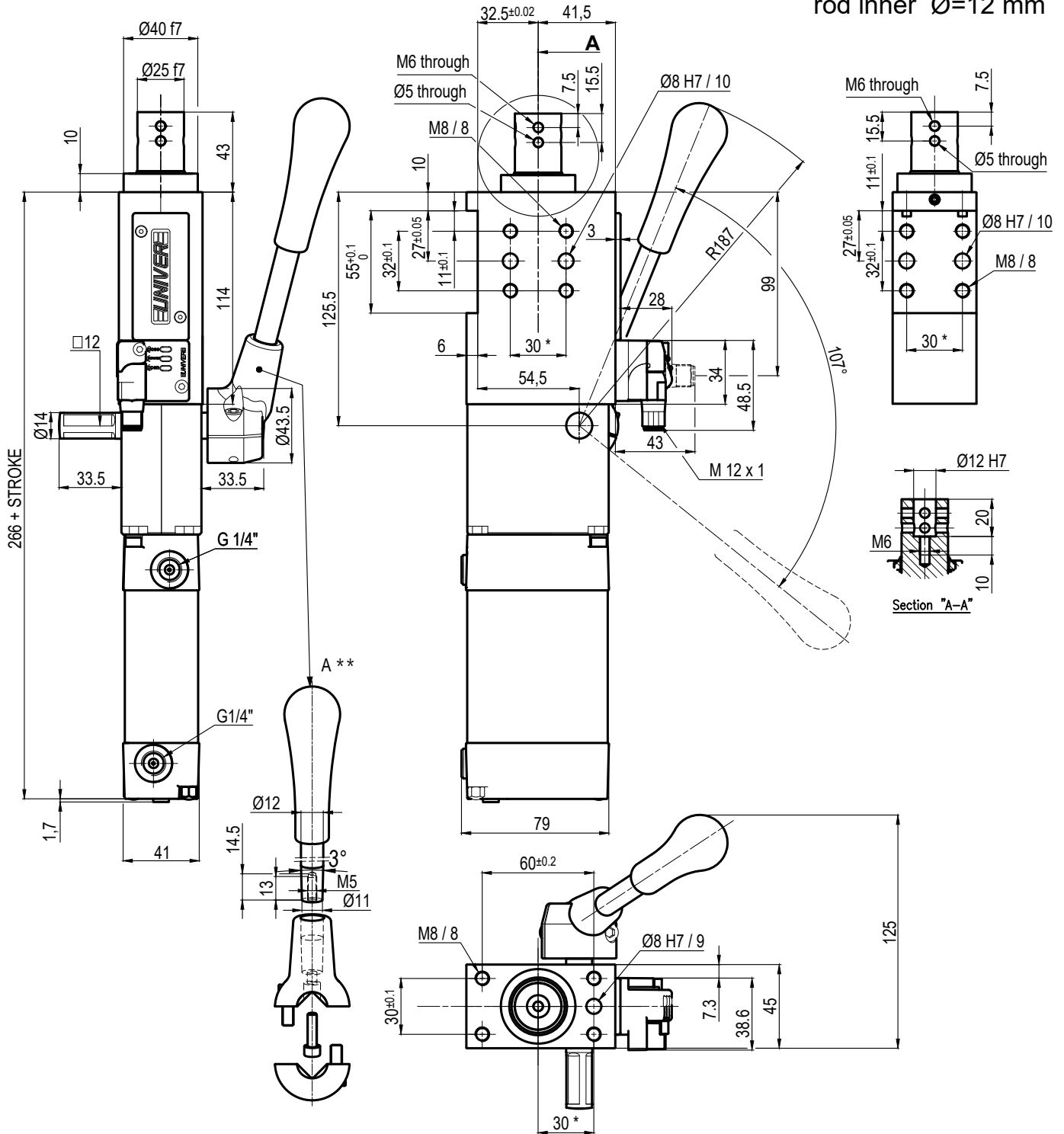
\* : TOLERANCE BETWEEN DOWEL HOLES  $\pm 0.02$ , BETWEEN SCREW HOLES  $\pm 0.1$

\*\* : DIMENSIONS TO BE RESPECTED IN CASE OTHER MANUAL LEVERS ARE USED

Subject to technical modification without notice.



## UNIVERSAL Pneumatic retractable locating pin unit rod inner Ø=12 mm



Bore Ø	Max. pull force 0.5 MPa	Max. push force 0.5 MPa	Max. torque 6 Nm	Max. deflection moment 7.5 Nm	Weight
50 mm	560N	615N	±0.06°	±0.03°	3.4 Kg

Min./max. operating pressure: **0,4 / 0,6 MPa**

Operating temperature: **5° ÷ 45° C**

Strokes in mm.: **15 - 25 - 40 - 50 - 60**

With manual lever

Electronic sensor with M12 swivel connector that can be orientated at 0° or 90°

Supply voltage: 10÷30 Vdc

IP code: **IP 65**

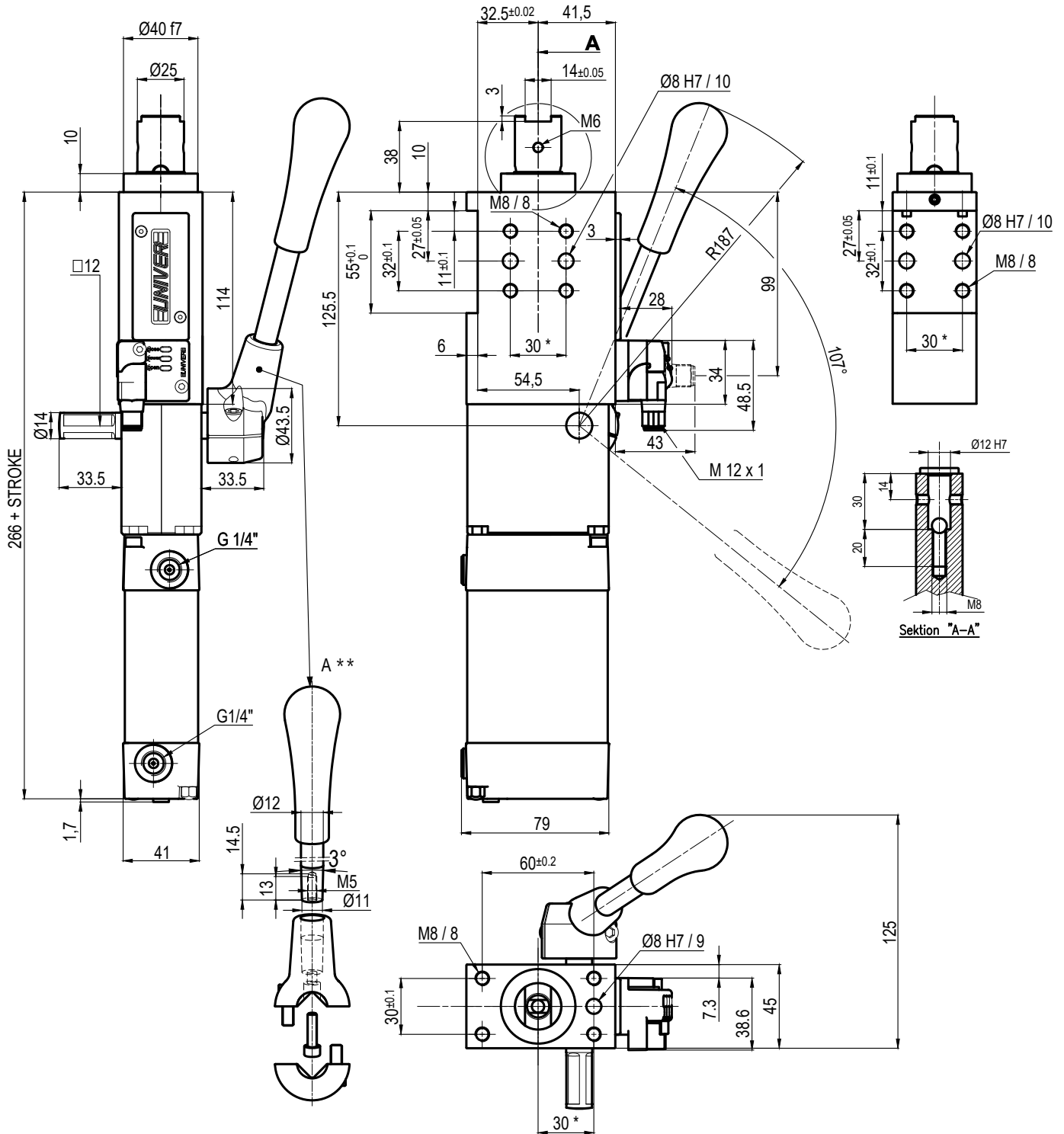
Pneumatic ports on both sides

\* : TOLERANCE BETWEEN DOWEL HOLES ± 0.02, BETWEEN SCREW HOLES ± 0.1

\*\* : DIMENSIONS TO BE RESPECTED IN CASE OTHER MANUAL LEVERS ARE USED

Subject to technical modification without notice.

## UNIVERSAL Pneumatic retractable locating pin unit



Bore Ø	Max. pull force 0.5 MPa	Max. push force 0.5 MPa	Max. torque 6 Nm	Max. deflection moment 7.5 Nm	Weight
50 mm	560N	615N	±0.06°	±0.03°	3.4 Kg

Min./max. operating pressure: **0,4 / 0,6 MPa**

Operating temperature: **5° ÷ 45° C**

Strokes in mm.: **15 - 25 - 40 - 50 - 60**

With manual lever

Electronic sensor with M12 swivel connector that can be orientated at 0° or 90°

Supply voltage: 10÷30 Vdc

IP code: **IP 65**

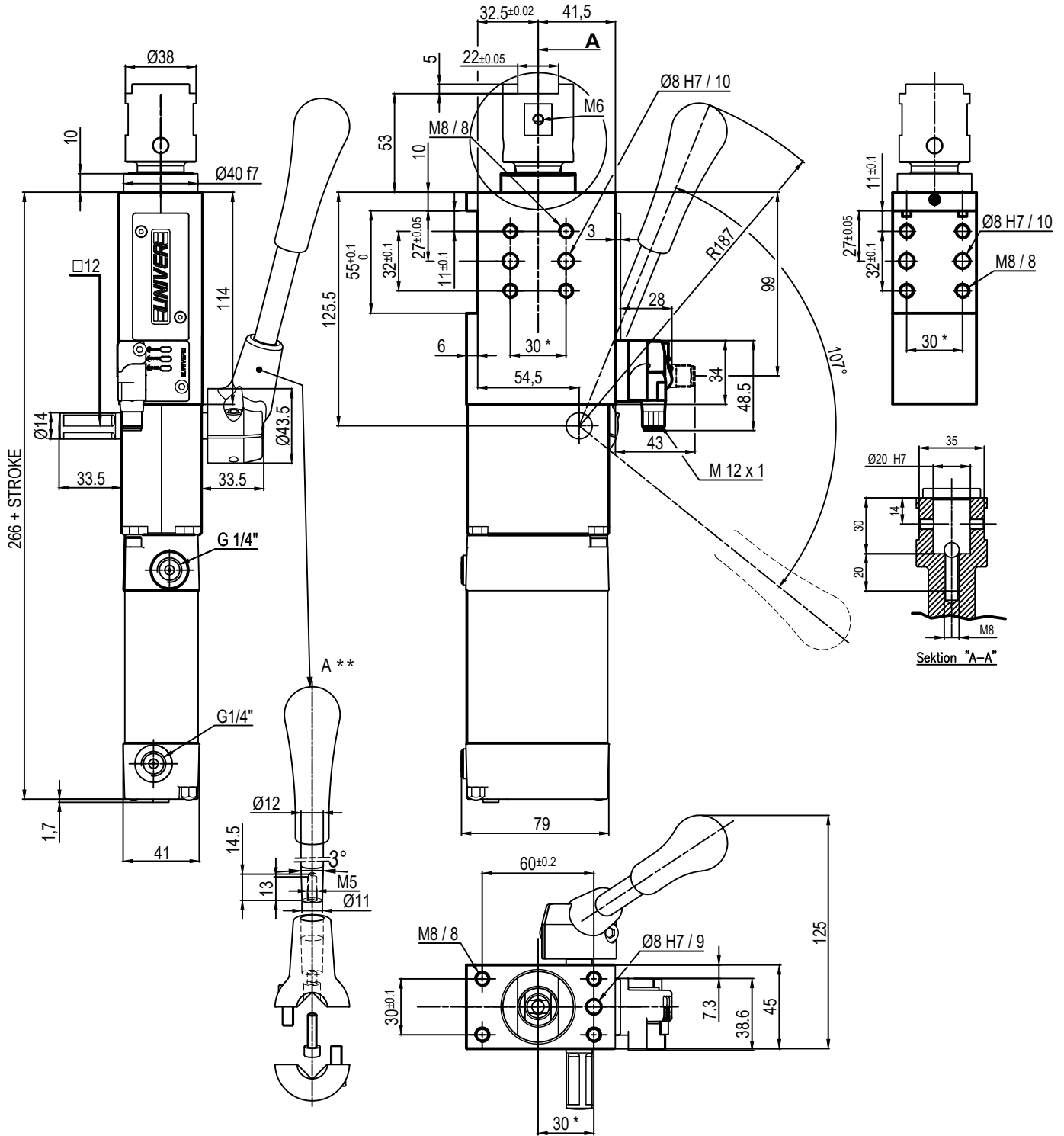
Pneumatic ports on both sides

\* : TOLERANCE BETWEEN DOWEL HOLES ± 0.02, BETWEEN SCREW HOLES ± 0.1

\*\* : DIMENSIONS TO BE RESPECTED IN CASE OTHER MANUAL LEVERS ARE USED

Subject to technical modification without notice.

## UNIVERSAL Pneumatic retractable locating pin unit



Bore Ø	Max. pull force 0.5 MPa	Max. push force 0.5 MPa	Max. torque 6 Nm	Max. deflection moment 7.5 Nm	Weight
50 mm	560N	615N	±0.06°	±0.03°	3.4 Kg

Min./max. operating pressure: **0,4 / 0,6 MPa**

Operating temperature: **5° ÷ 45° C**

Strokes in mm.: **15 - 25 - 40 - 50 - 60**

With manual lever

Electronic sensor with M12 swivel connector that can be orientated at 0° or 90°

Supply voltage: 10+30 Vdc

IP code: **IP 65**

Pneumatic ports on both sides

\* : TOLERANCE BETWEEN DOWEL HOLES ± 0.02, BETWEEN SCREW HOLES ± 0.1

\*\* : DIMENSIONS TO BE RESPECTED IN CASE OTHER MANUAL LEVERS ARE USED

Subject to technical modification without notice.

# LCM50

Pneumatic retractable locating pin unit with hand lever, single rod



L	C	M	5	0	0	5	0	E	A	E	R
1	2	3	4				5	6	7	8	

<b>1 Series</b>	<b>2 Version</b>	<b>3 Size</b>
-----------------	------------------	---------------

**LC** = Retractable locating pin unit     **P** = Pneumatic with hand lever, single rod     **50** = Ø 50 mm


<b>4 Strokes</b>	<b>5 Sensor</b>	<b>6 Rod end style</b>
------------------	-----------------	------------------------


**015** = 15 mm  
**025** = 25 mm  
**040** = 40 mm  
**050** = 50 mm  
**060** = 60 mm


**D** = Pneumatic sensor with double air supply  
**N** = No sensor (with protection plate)  
**E** = Electronic sensor with M12 swivel connector


**A** = Rod for off-set pins  
**B** = Rod with profiled end  
**C** = Rod with cross-profiled end inner Ø 16 mm  
**D** = Rod for off-set pins with oversized dowel holes  
**E** = Rod with cross-profiled end with inner Ø 10 mm  
**F** = Rod for side mounting  
**H** = Rod with flat end, inner Ø 10 mm  
**I** = Rod with flat end, inner Ø 12 mm  
**L** = Rod with 12 mm hole compatible with CNOMO LCG  
**M** = Rod with 20 mm hole compatible with CNOMO LCG

<b>7 Rod orientation</b>	<b>8 Rod scraper</b>
--------------------------	----------------------

**E** = east, standard 

**O** = west 

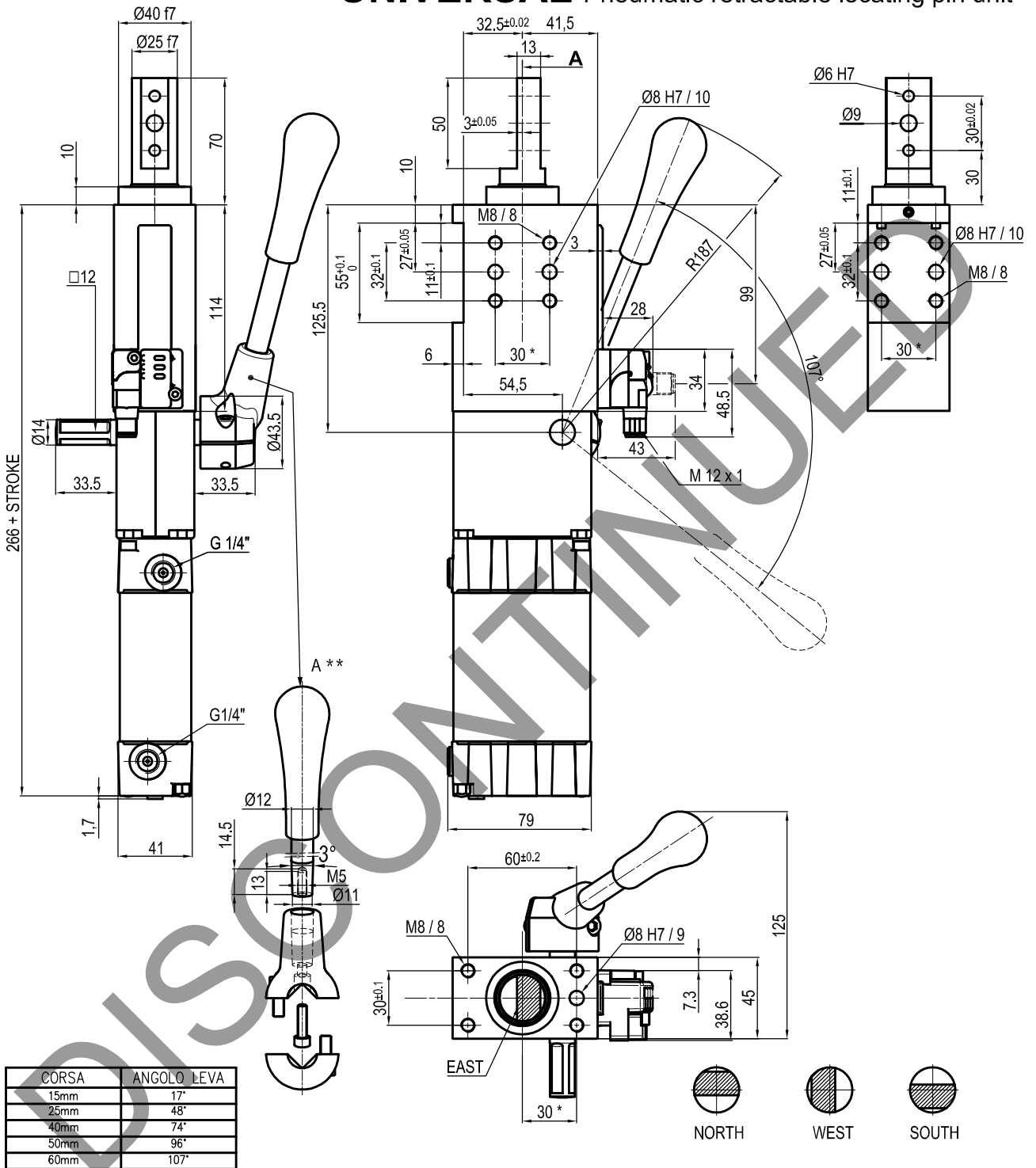
**N** = north 

**S** = south 

**R** = Metallic rod scraper

Only with A and D rod end styles

## UNIVERSAL Pneumatic retractable locating pin unit



Min./max. operating pressure: **0,4 / 0,6 MPa**

Operating temperature: **5° + 45° C**

Strokes in mm.: **15 - 25 - 40 - 50 - 60**

With manual lever

Electronic sensor with M12 swivel connector that can be orientated at 0° or 90°

Supply voltage: **10±30 Vdc**

IP code: **IP 65**

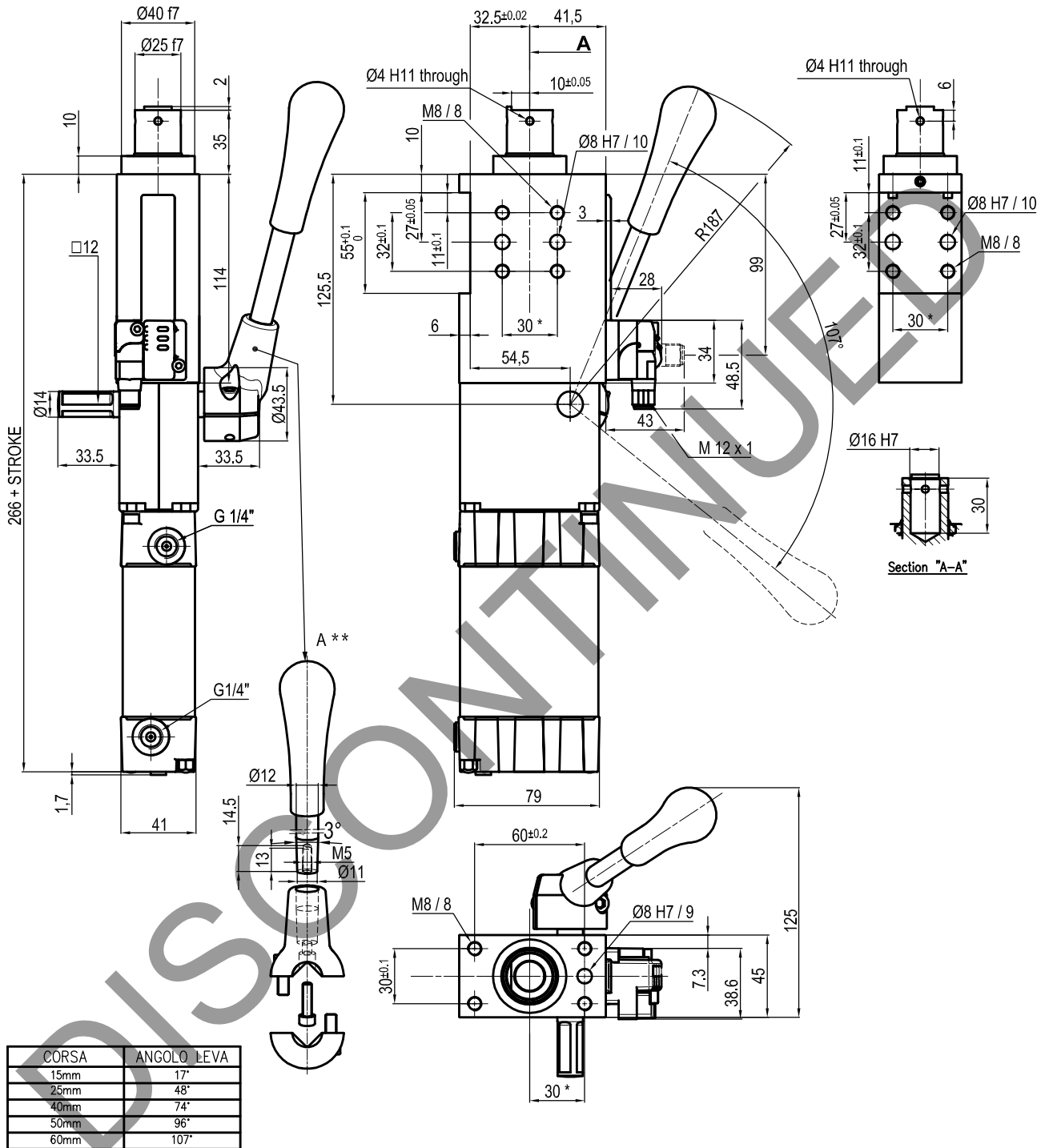
Pneumatic ports on both sides

\* : TOLERANCE BETWEEN DOWEL HOLES ± 0.02, TO SCREW HOLES ± 0.1

\*\* : DIMENSIONS TO BE RESPECTED IN CASE OTHER MANUAL LEVERS ARE USED

Subject to technical modification without notice.

## UNIVERSAL Pneumatic retractable locating pin unit



Min./max. operating pressure: **0,4 / 0,6 MPa**

Operating temperature: **5° + 45° C**

Strokes in mm.: **15 - 25 - 40 - 50 - 60**

With manual lever

Electronic sensor with M12 swivel connector that can be orientated at 0° or 90°

Supply voltage: **10÷30 Vdc**

IP code: **IP 65**

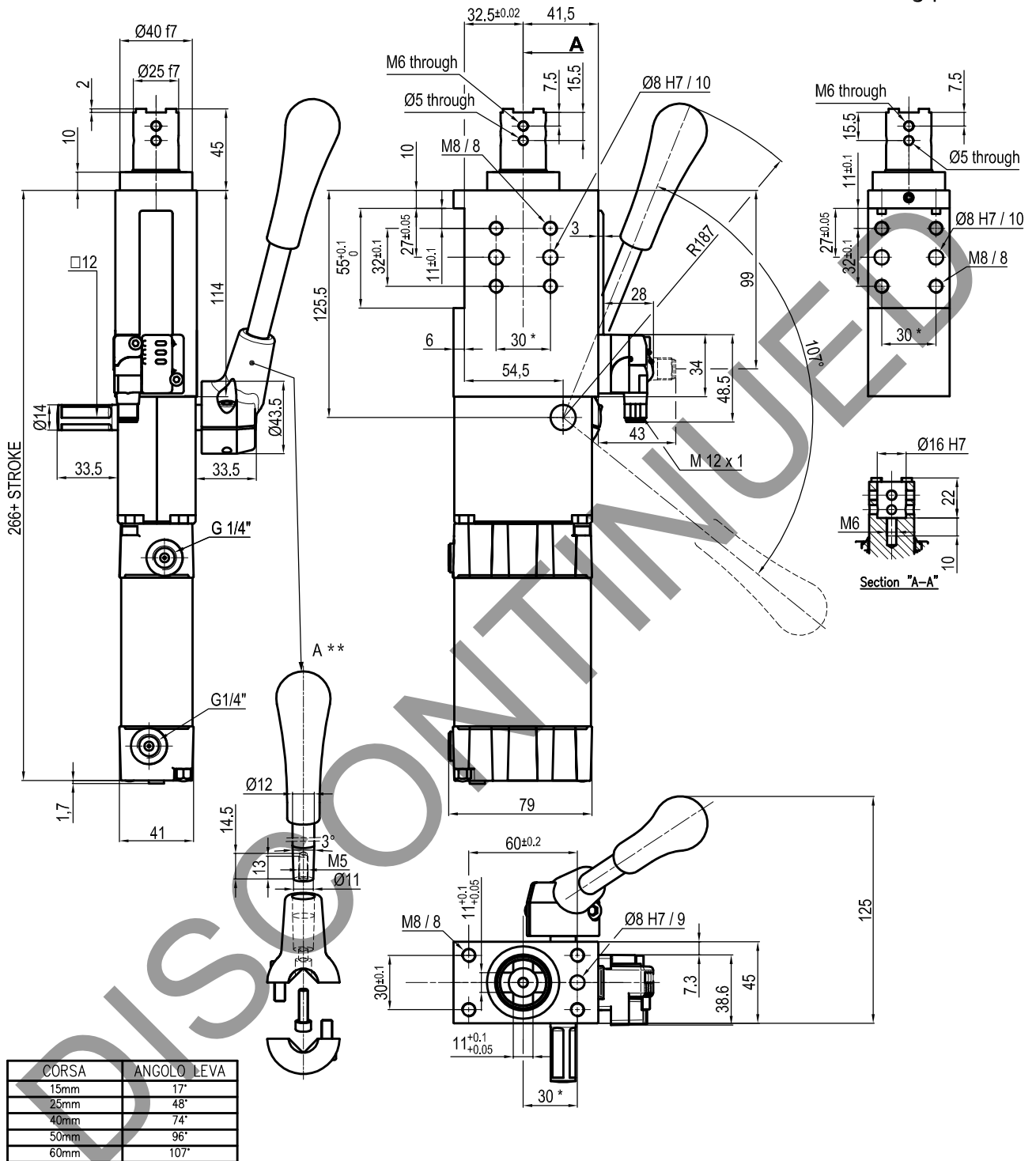
Pneumatic ports on both sides

\* : TOLERANCE BETWEEN DOWEL HOLES ± 0.02, TO SCREW HOLES ± 0.1

\*\* : DIMENSIONS TO BE RESPECTED IN CASE OTHER MANUAL LEVERS ARE USED

Subject to technical modification without notice.

## UNIVERSAL Pneumatic retractable locating pin unit



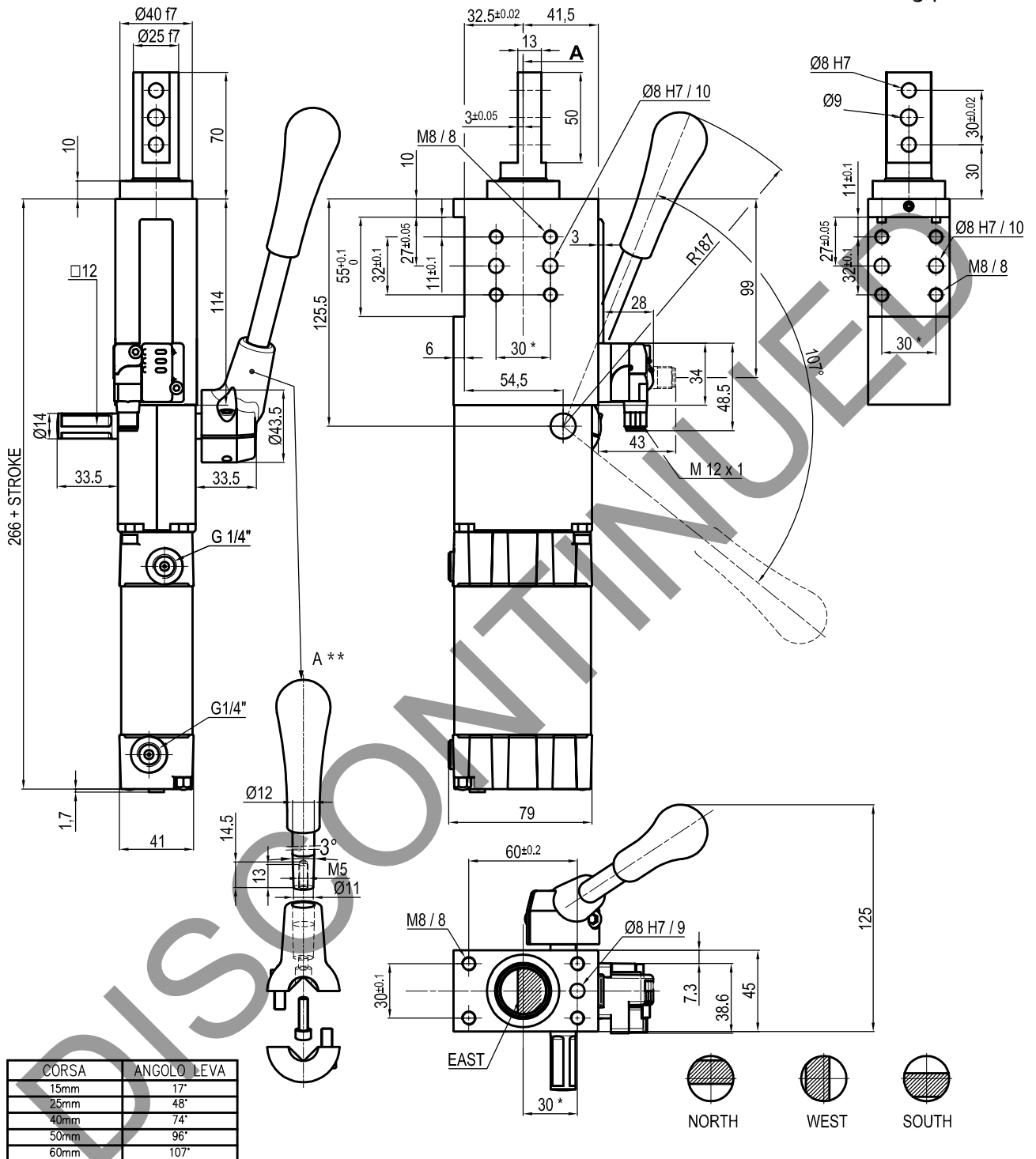
Bore Ø	Max. torque	Max. deflection moment	Weight
50 mm	6 Nm ±0.06°	7.5 Nm ±0.03°	3.4 Kg

Min./max. operating pressure: **0,4 / 0,6 MPa**  
 Operating temperature: **5° + 45° C**  
 Strokes in mm.: **15 - 25 - 40 - 50 - 60**  
 With manual lever  
 Electronic sensor with M12 swivel connector that can be orientated at 0° or 90°  
 Supply voltage: 10÷30 Vdc  
 IP code: **IP 65**  
 Pneumatic ports on both sides

\* : TOLERANCE BETWEEN DOWEL HOLES ± 0.02, TO SCREW HOLES ± 0.1  
 \*\* : DIMENSIONS TO BE RESPECTED IN CASE OTHER MANUAL LEVERS ARE USED

Subject to technical modification without notice.

## UNIVERSAL Pneumatic retractable locating pin unit



Bore Ø	Max. torque	Max. deflection moment	Weight
50 mm	6 Nm ±0.06°	7.5 Nm ±0.03°	3.4 Kg

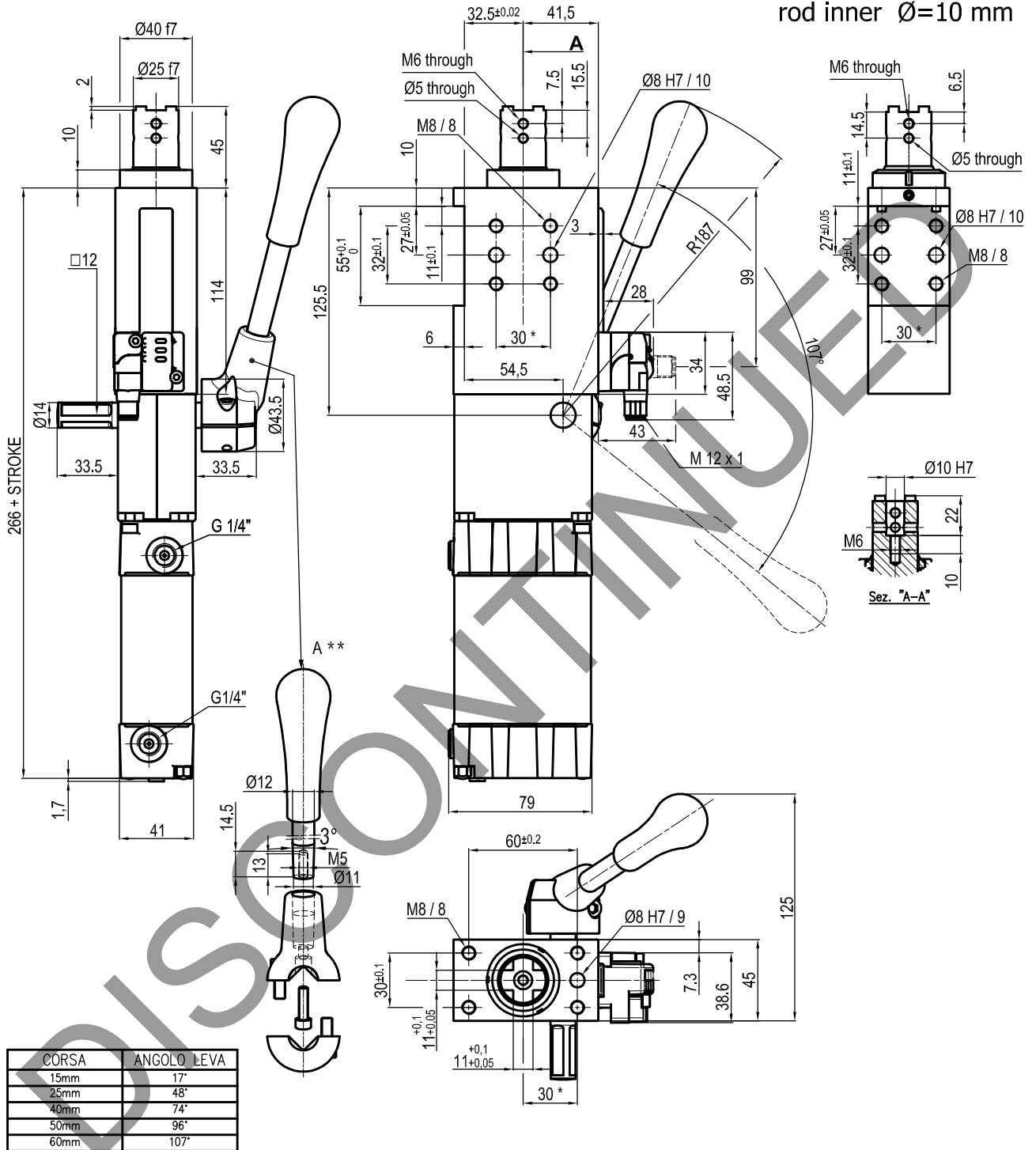
Min./max. operating pressure: **0,4 / 0,6 MPa**  
 Operating temperature: **5° + 45° C**  
 Strokes in mm.: **15 - 25 - 40 - 50 - 60**  
 With manual lever  
 Electronic sensor with M12 swivel connector that can be orientated at 0° or 90°  
 Supply voltage: 10÷30 Vdc  
 IP code: **IP 65**  
 Pneumatic ports on both sides

\*: TOLERANCE BETWEEN DOWEL HOLES ± 0.02, TO SCREW HOLES ± 0.1  
 \*\*: DIMENSIONS TO BE RESPECTED IN CASE OTHER MANUAL LEVERS ARE USED

Subject to technical modification without notice.



## UNIVERSAL Pneumatic retractable locating pin unit rod inner $\varnothing=10$ mm



Bore $\varnothing$	Max. torque	Max. deflection moment	Weight
50 mm	6 Nm $\pm 0.06^\circ$	7.5 Nm $\pm 0.03^\circ$	3.4 Kg

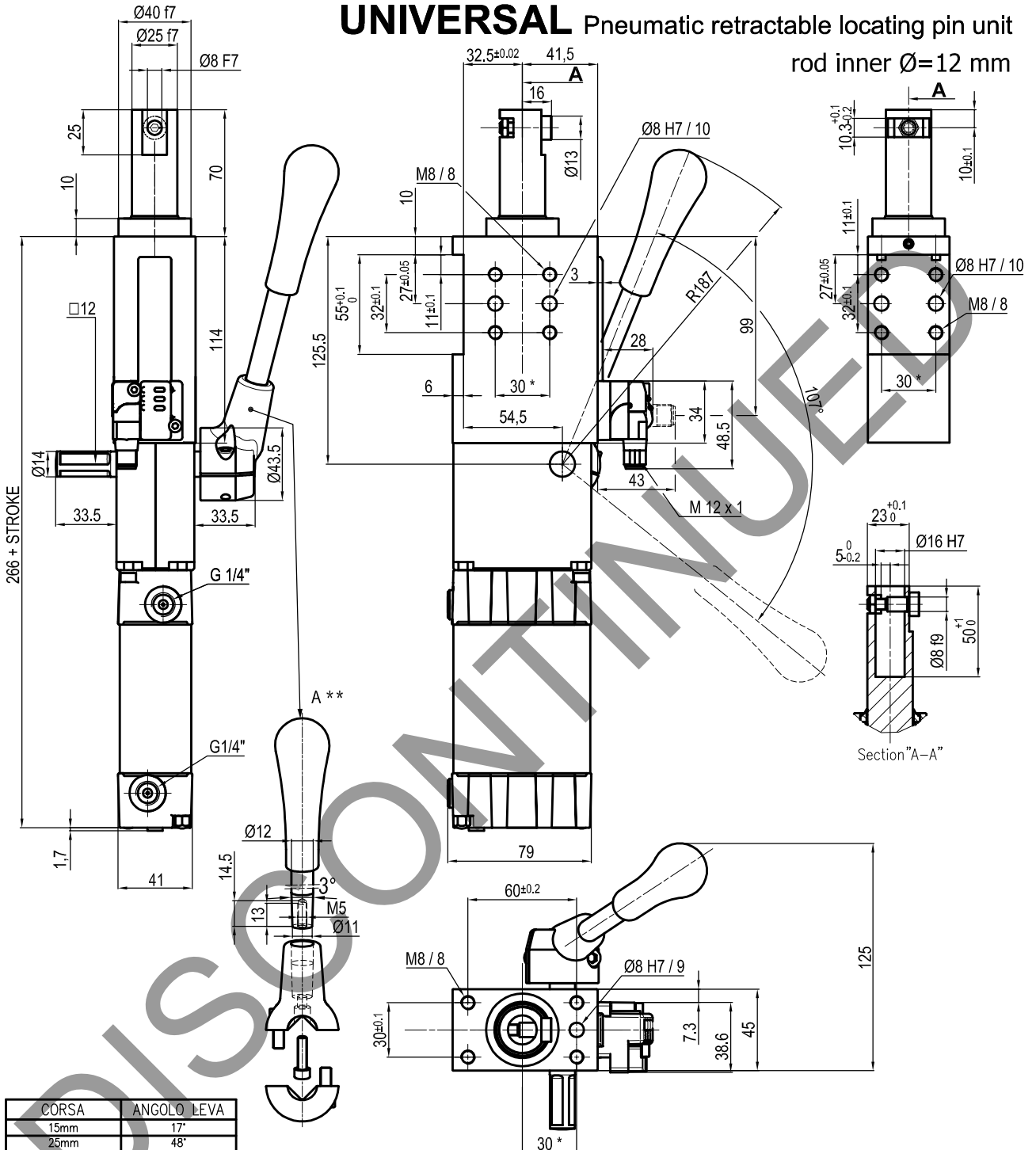
Min./max. operating pressure: **0,4 / 0,6 MPa**  
 Operating temperature: **5° + 45° C**  
 Strokes in mm.: **15 - 25 - 40 - 50 - 60**  
 With manual lever  
 Electronic sensor with M12 swivel connector that can be orientated at 0° or 90°  
 Supply voltage: 10÷30 Vdc  
 IP code: **IP 65**  
 Pneumatic ports on both sides

\* : TOLERANCE BETWEEN DOWEL HOLES  $\pm 0.02$ , TO SCREW HOLES  $\pm 0.1$   
 \*\* : DIMENSIONS TO BE RESPECTED IN CASE OTHER MANUAL LEVERS ARE USED

Subject to technical modification without notice.

## UNIVERSAL Pneumatic retractable locating pin unit

rod inner  $\varnothing=12$  mm



CORSA	ANGOLO LEVA
15mm	17°
25mm	48°
40mm	74°
50mm	96°
60mm	107°

Bore $\varnothing$	Max. torque	Max. deflection moment	Weight
50 mm	6 Nm $\pm 0.06^\circ$	7.5 Nm $\pm 0.03^\circ$	3.4 Kg

Min./max. operating pressure: **0,4 / 0,6 MPa**

Operating temperature: **5° + 45° C**

Strokes in mm.: **15 - 25 - 40 - 50 - 60**

With manual lever

Electronic sensor with M12 swivel connector that can be orientated at 0° or 90°

Supply voltage: 10÷30 Vdc

IP code: **IP 65**

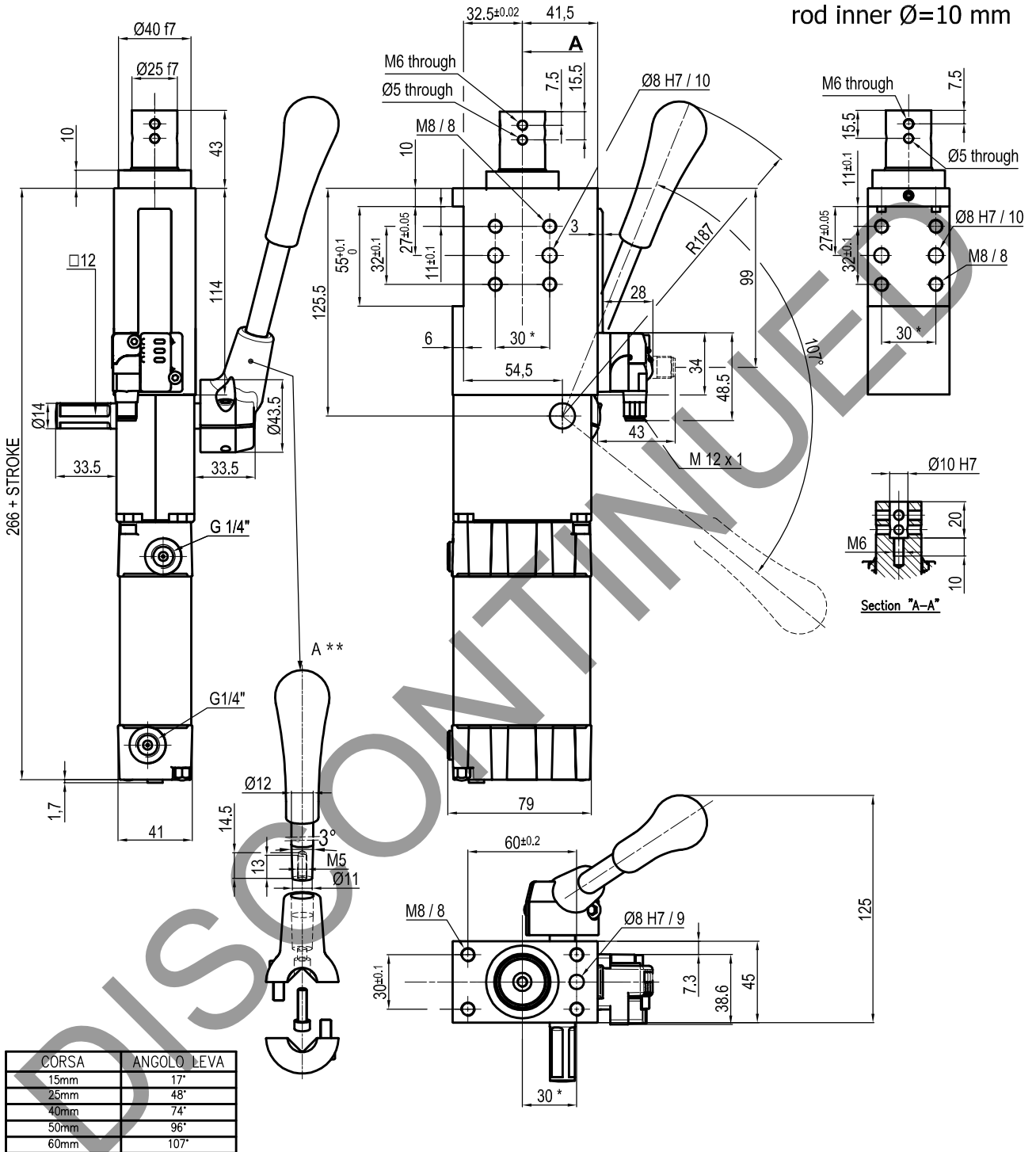
Pneumatic ports on both sides

\* : TOLERANCE BETWEEN DOWEL HOLES  $\pm 0.02$ , TO SCREW HOLES  $\pm 0.1$

\*\* : DIMENSIONS TO BE RESPECTED IN CASE OTHER MANUAL LEVERS ARE USED

Subject to technical modification without notice.

## UNIVERSAL Pneumatic retractable locating pin unit rod inner Ø=10 mm



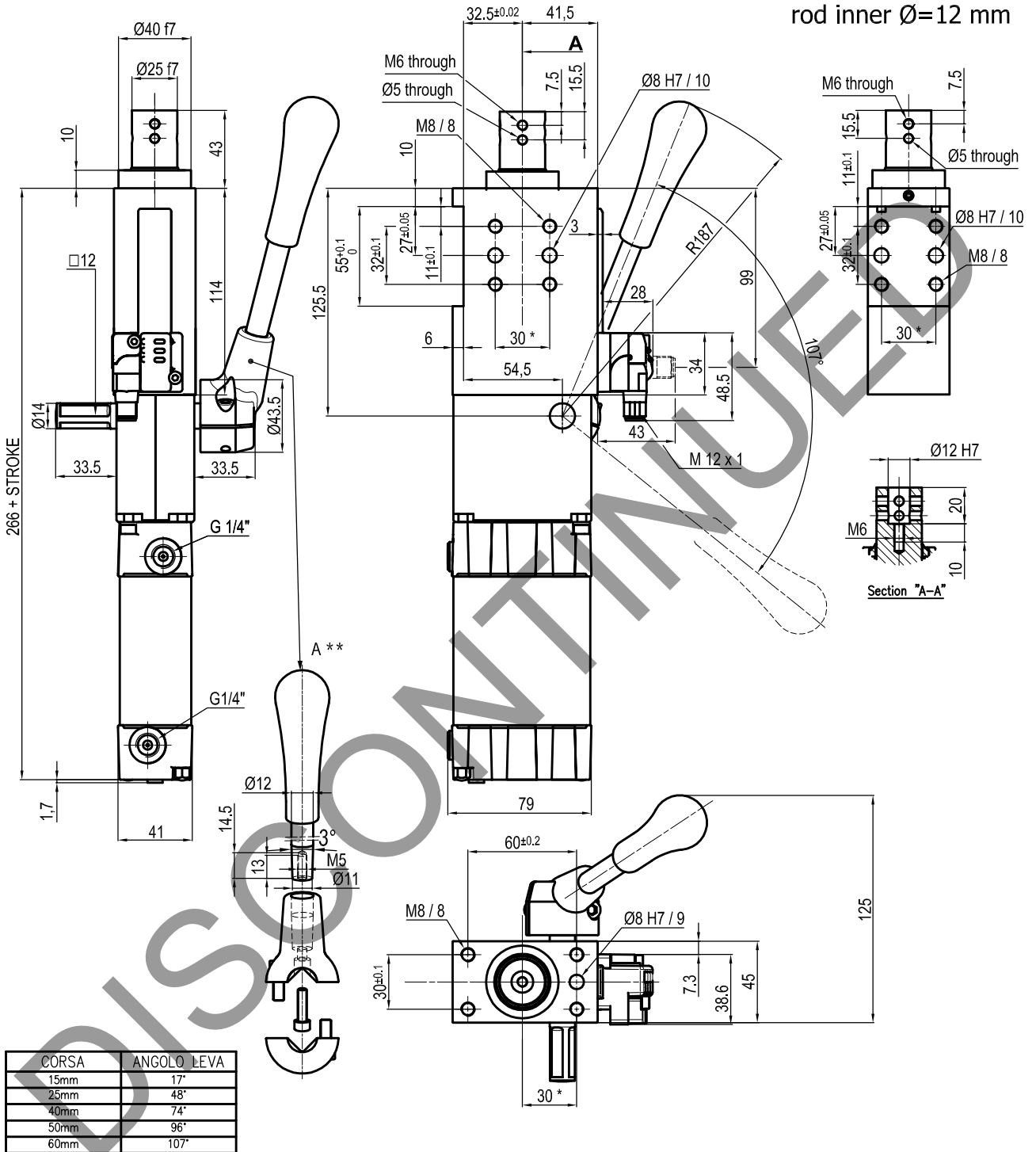
Bore Ø	Max. torque	Max. deflection moment	Weight
50 mm	6 Nm ±0.06°	7.5 Nm ±0.03°	3.4 Kg

Min./max. operating pressure: **0,4 / 0,6 MPa**  
 Operating temperature: **5° + 45° C**  
 Strokes in mm.: **15 - 25 - 40 - 50 - 60**  
 With manual lever  
 Electronic sensor with M12 swivel connector that can be orientated at 0° or 90°  
 Supply voltage: 10÷30 Vdc  
 IP code: **IP 65**  
 Pneumatic ports on both sides

\* : TOLERANCE BETWEEN DOWEL HOLES ± 0.02, TO SCREW HOLES ± 0.1  
 \*\* : DIMENSIONS TO BE RESPECTED IN CASE OTHER MANUAL LEVERS ARE USED

Subject to technical modification without notice.

## UNIVERSAL Pneumatic retractable locating pin unit rod inner $\varnothing=12$ mm



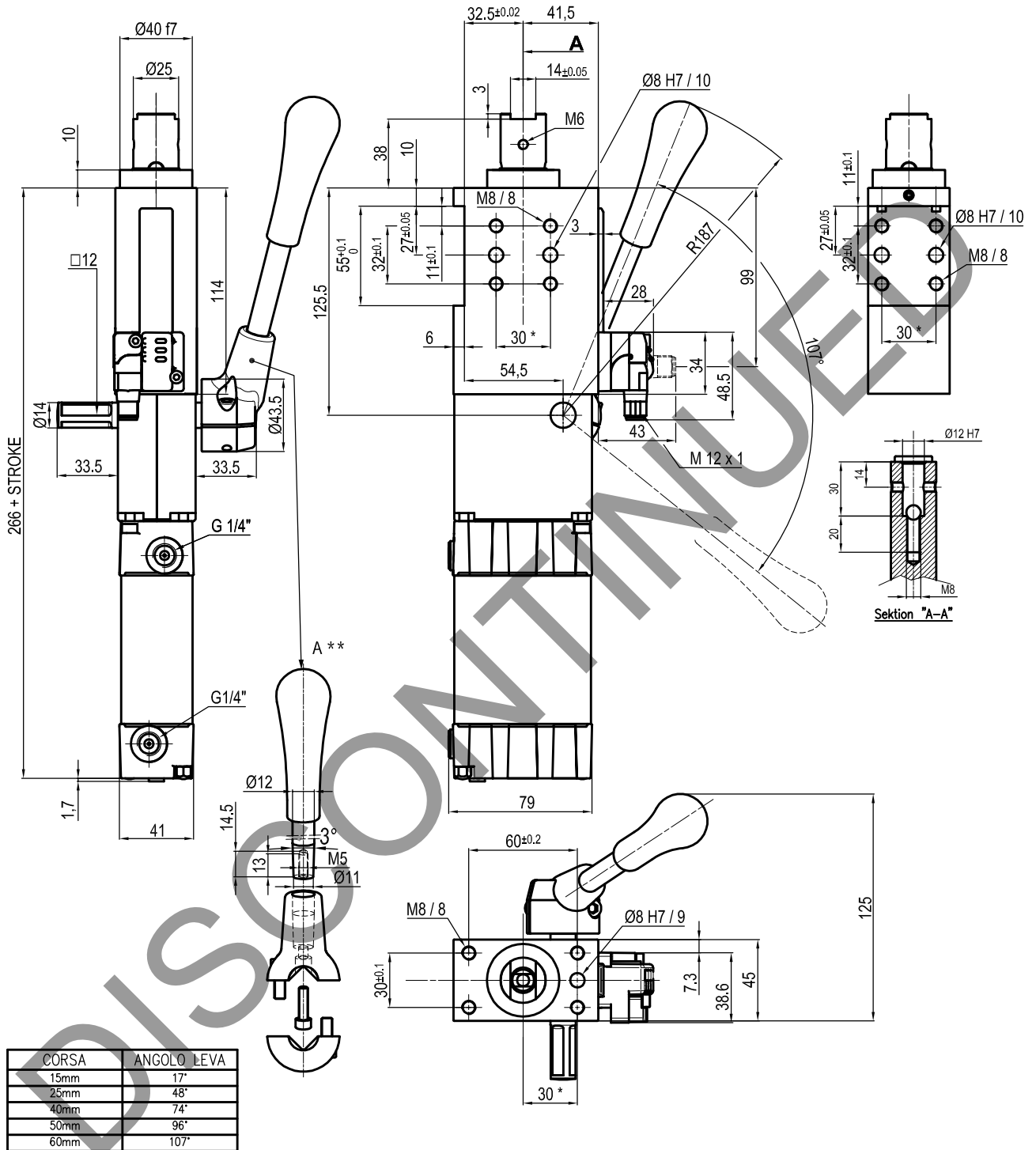
Bore $\varnothing$	Max. torque	Max. deflection moment	Weight
50 mm	6 Nm $\pm 0.06^\circ$	7.5 Nm $\pm 0.03^\circ$	3.4 Kg

Min./max. operating pressure: **0,4 / 0,6 MPa**  
 Operating temperature: **5° + 45° C**  
 Strokes in mm.: **15 - 25 - 40 - 50 - 60**  
 With manual lever  
 Electronic sensor with M12 swivel connector that can be orientated at 0° or 90°  
 Supply voltage: 10÷30 Vdc  
 IP code: **IP 65**  
 Pneumatic ports on both sides

\*: TOLERANCE BETWEEN DOWEL HOLES  $\pm 0.02$ , TO SCREW HOLES  $\pm 0.1$   
 \*\*: DIMENSIONS TO BE RESPECTED IN CASE OTHER MANUAL LEVERS ARE USED

Subject to technical modification without notice.

## UNIVERSAL Pneumatic retractable locating pin unit



Min./max. operating pressure: **0,4 / 0,6 MPa**

Operating temperature: **5° + 45° C**

Strokes in mm.: **15 - 25 - 40 - 50 - 60**

With manual lever

Electronic sensor with M12 swivel connector that can be orientated at 0° or 90°

Supply voltage: 10÷30 Vdc

IP code: **IP 65**

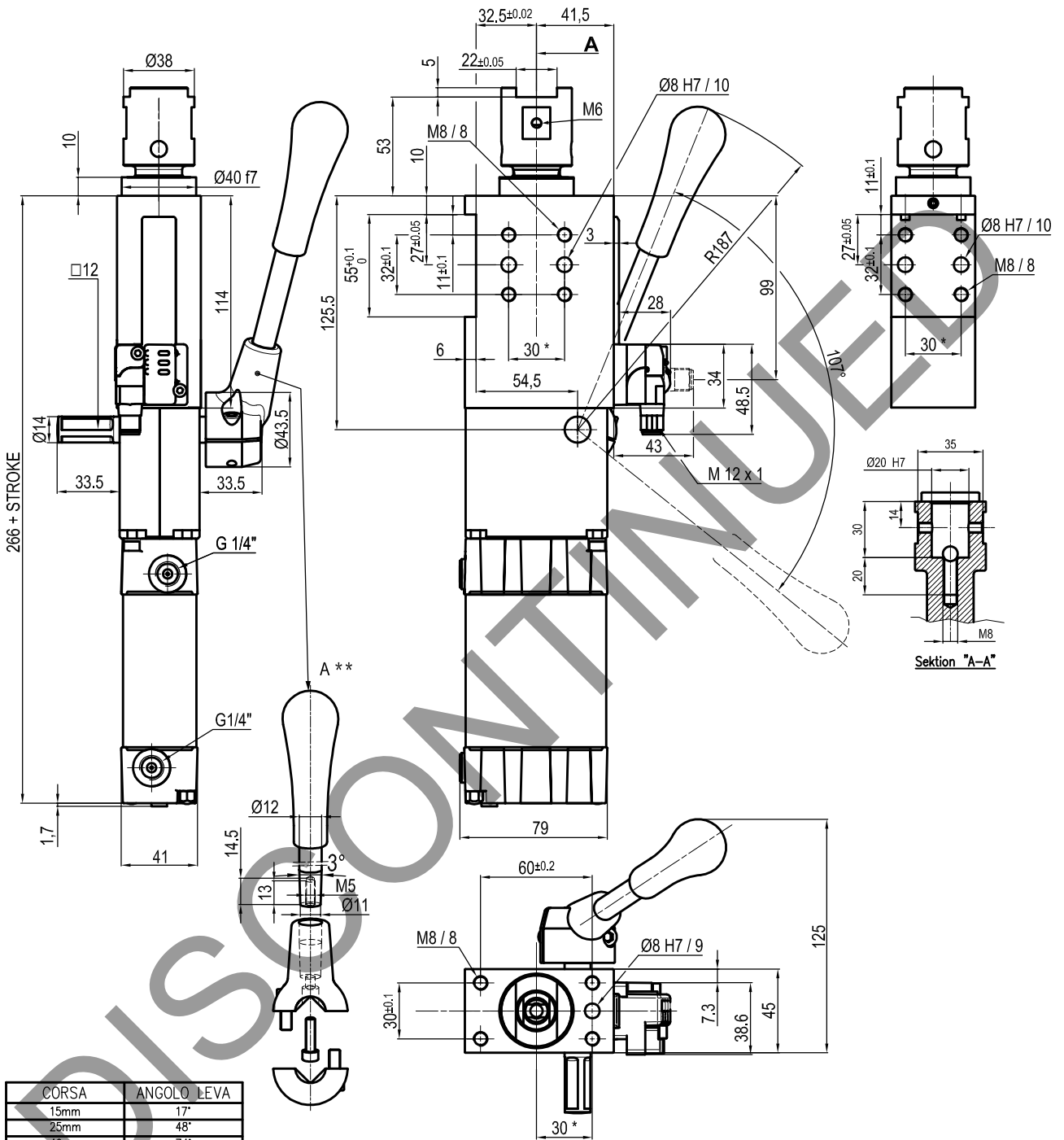
Pneumatic ports on both sides

\* : TOLERANCE BETWEEN DOWEL HOLES ± 0.02, TO SCREW HOLES ± 0.1

\*\* : DIMENSIONS TO BE RESPECTED IN CASE OTHER MANUAL LEVERS ARE USED

Subject to technical modification without notice.

## UNIVERSAL Pneumatic retractable locating pin unit



CORSA	ANGOLO LEVA
15mm	17°
25mm	48°
40mm	74°
50mm	96°
60mm	107°

Bore Ø	Max. torque	Max. deflection moment	Weight
50 mm	6 Nm ±0.06°	7.5 Nm ±0.03°	3.4 Kg

Min./max. operating pressure: **0,4 / 0,6 MPa**  
 Operating temperature: **5° + 45° C**  
 Strokes in mm.: **15 - 25 - 40 - 50 - 60**  
 With manual lever  
 Electronic sensor with M12 swivel connector that can be orientated at 0° or 90°  
 Supply voltage: 10÷30 Vdc  
 IP code: **IP 65**  
 Pneumatic ports on both sides

\* : TOLERANCE BETWEEN DOWEL HOLES ± 0.02, TO SCREW HOLES ± 0.1  
 \*\* : DIMENSIONS TO BE RESPECTED IN CASE OTHER MANUAL LEVERS ARE USED

Subject to technical modification without notice.